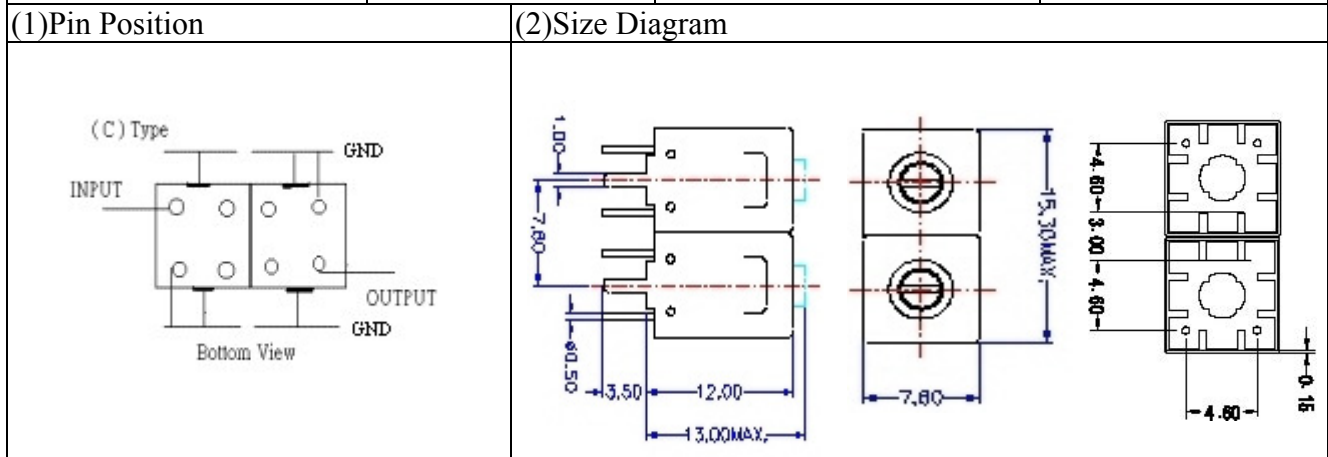
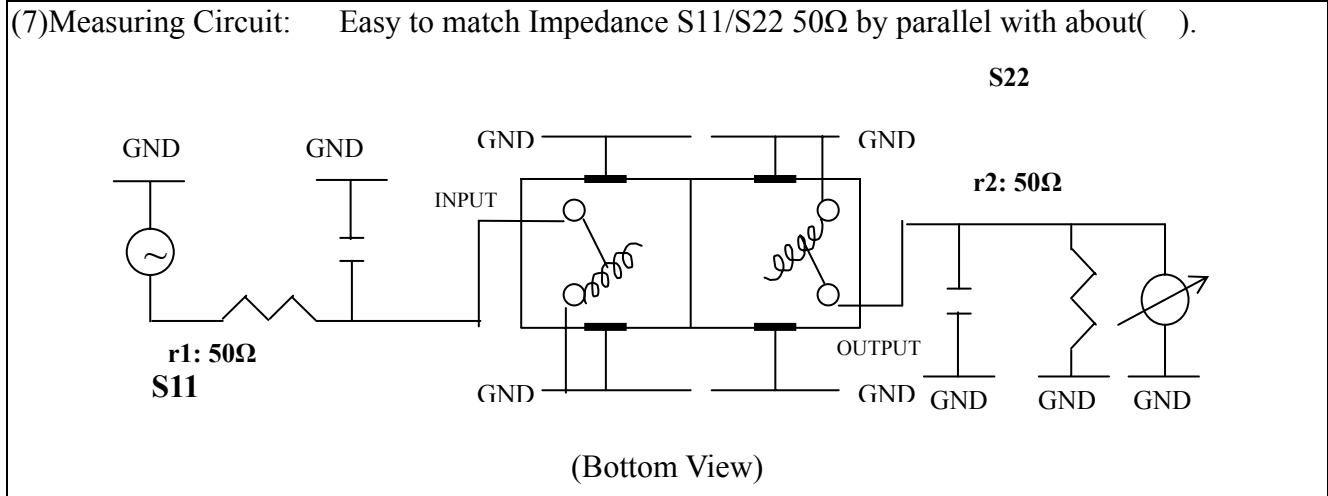


VHF UHF Helical Filter Specification Sheet

Customer Name		Temwell's Part No.	K2C-785M-20M
Approval No. /dated	201010090CD	Temwell's Print name.	K2C 785M
Work Instruction No.	201010090CD	Date	Oct.26.2010



(3) Electric Characteristic			
Item		Specify	Performance
Center Freq.(Fo) +/- 0.75 %		785 MHz	785 MHz
Insertion Loss		Typ. 2.5 dB	1.59 dB
-3 dB Bandwidth		Typ. 20 MHz	25.6 MHz
Sensitivity (Attenuation)	Fo - 30 MHz	Typ. 13 dBc	15 dBc
	Fo + 30 MHz	Typ. 10 dBc	12 dBc
	Fo - () MHz	Typ. dBc	dBc
	Fo +() MHz	Typ. dBc	dBc
Return Loss		Min. 12 dB	24.3 dB
Ripple		< 1 dB	dB
Impedance		In / Out : 50 Ω	In / Out : 50 Ω
(4) Torque for Tuning Screw		> 100gf cm	
(5) Temperature Condition:			
Operating Temperature		0 ~ +60	
Storage Temperature		-20 ~ +70	
(6) Input Power		> 1Watt	



Approval	Supervisor	Designer	Aperture size
C.Y.Chang	C.K.Chang	C.S.Chang	7H2S(4*5.5)(5.59) 7H046RB4.3 聚 3

TEMWELL CORPORATION

Performance-K2C-785M-20M

201010090CD

