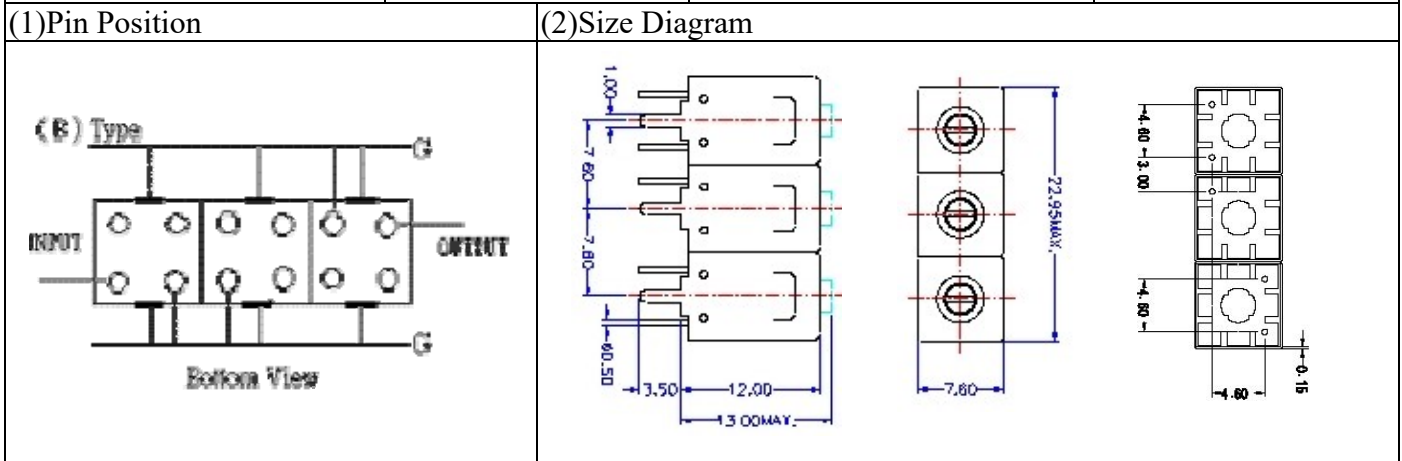


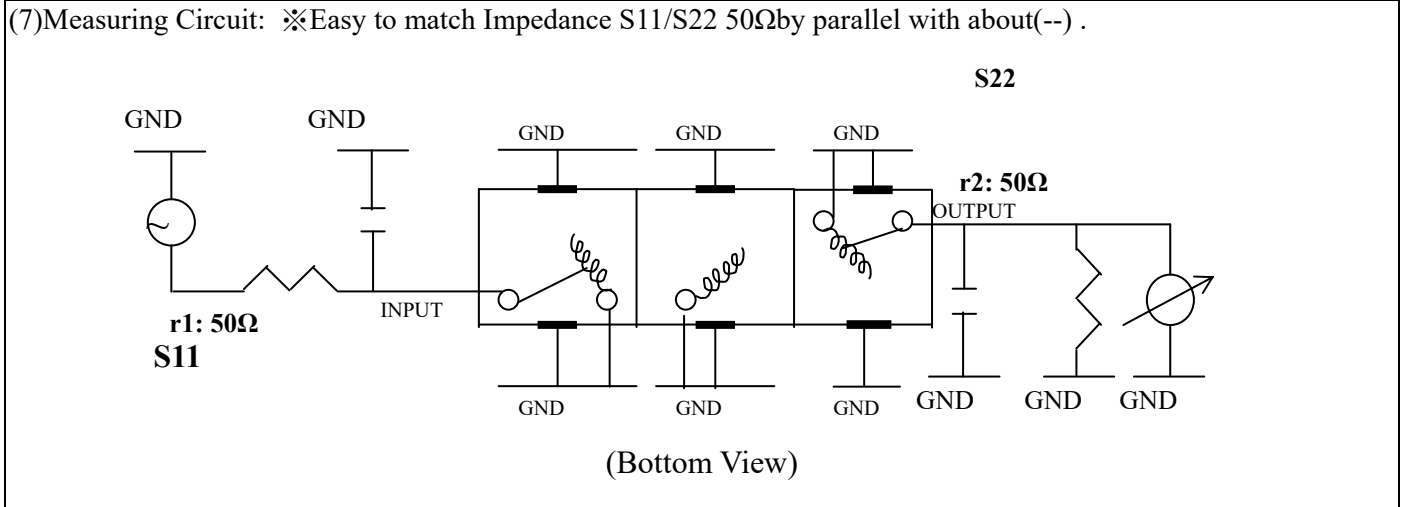
# VHF UHF Helical Filter Specification Sheet

Customer Name		Temwell's Part No.	TT63721B-146M
Approval No. /dated	201711005CD	Temwell's Print name.	63721B 146M
Work Instruction No.	201711005CD	Date	Dec.07.2017



(3) Electric Characteristic

Item	Specify	Performance
Center Freq.(Fo) +/- 0.5 %	146 MHz	146 MHz
Insertion Loss	Typ. 5.0 dB	4.32 dB
-3 dB Bandwidth	Typ. 2 MHz	3.7 MHz
Sensitivity (Attenuation)	Fo - 10 MHz	Typ. 38 dBc
	Fo + 10 MHz	Typ. 31 dBc
	Fo - ( ) MHz	Typ. dBc
	Fo + ( ) MHz	Typ. dBc
Return Loss	Min. 12 dB	23.8 dB
Ripple	< 1 dB	
Impedance	In / Out : 50 Ω	In / Out : 50 Ω
(4) Torque for Tuning Screw	> 60gf · cm	
(5) Temperature Condition:		
Operating Temperature	0°C ~ +60°C	
Storage Temperature	-20°C ~ +70°C	
(6) Input Power	> 1Watt	

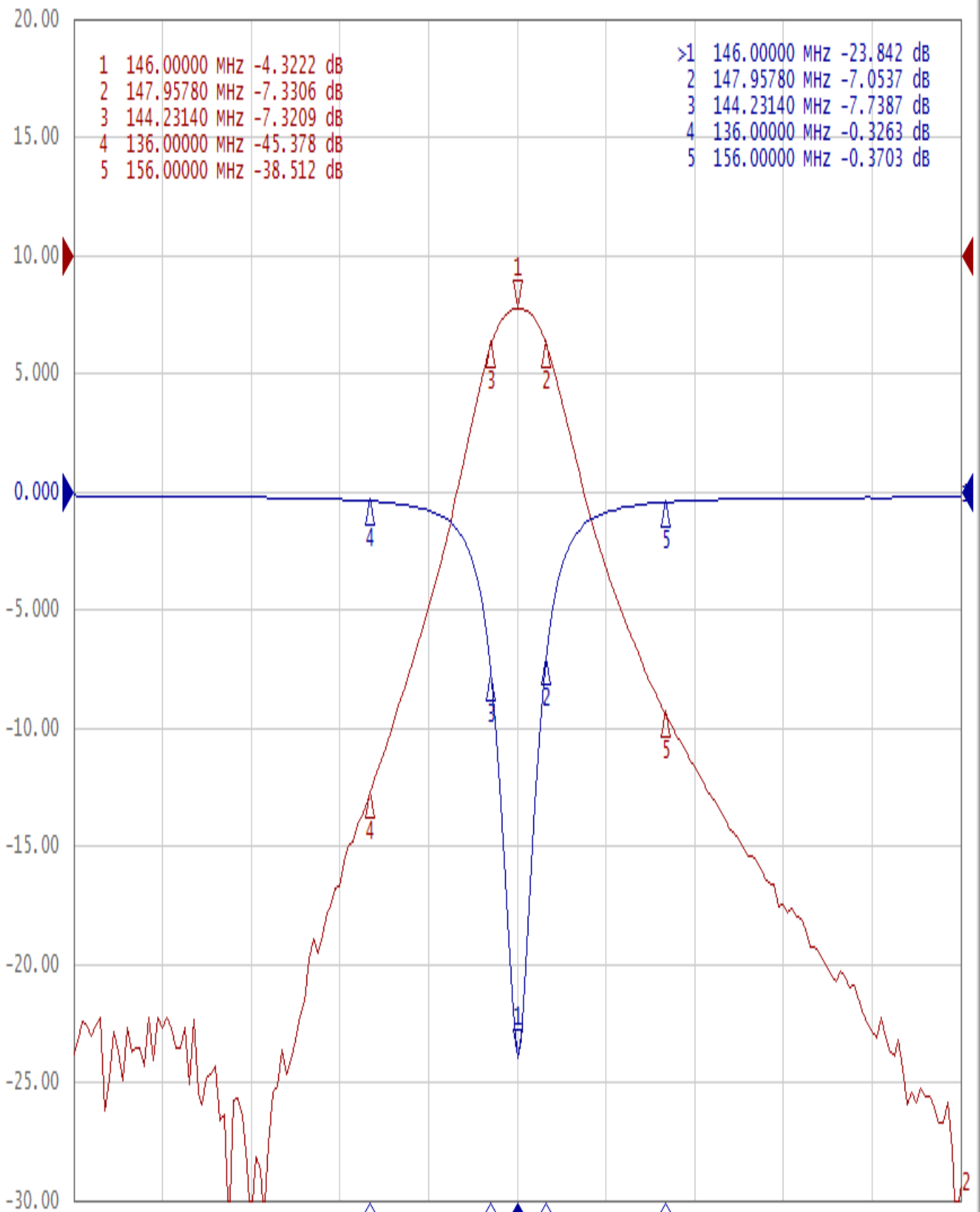


Approval C.Y.Chang	Supervisor C.K.Chang	Designer C.S.Chang	Aperture size 7H3S(4*5.5)(5.52) 7H024RB4
-----------------------	-------------------------	-----------------------	--

# Performance-TT63721B-146M

## 201711005CD

Tr1 S11 Log Mag 5.000dB/ Ref 0.000dB [F2]  
Tr2 S21 Log Mag 10.00dB/ Ref 0.000dB [F2]



Point	Frequency (MHz)	Value (dB)
>1	146.00000	-23.842
2	147.95780	-7.0537
3	144.23140	-7.7387
4	136.00000	-0.3263
5	156.00000	-0.3703

1 Center 146 MHz

IFBW 70 kHz

Span 60 MHz Cor!