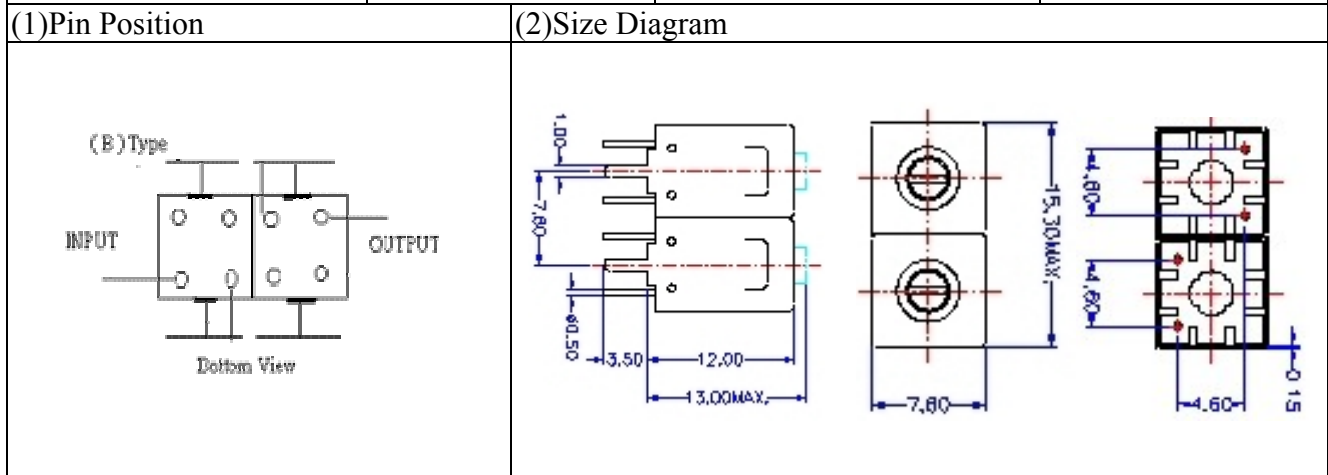


# VHF UHF Helical Filter Specification Sheet

Customer Name		Temwell's Part No.	K2B1-420M-11M
Approval No. /dated	0904105CD	Temwell's Print name.	K2B1 420M
Work Instruction No.	200904105CD	Date	Jun.26.2009



### (3) Electric Characteristic

Item	Specify	Performance
Center Freq.(Fo ) +/- 0.5 %	420 MHz	420 MHz
Insertion Loss	Typ. 2.5 dB	1.37 dB
-3 dB Bandwidth	Typ. 11 MHz	17.7 MHz
Sensitivity (Attenuation )	Fo - 50 MHz	Typ. 30 dBc
	Fo + 50 MHz	Typ. 20 dBc
	Fo - 30 MHz	Typ. 15 dBc
	Fo +30 MHz	Typ. 13 dBc
Return Loss	Min. 12 dB	31.9 dB
Ripple	< 1 dB	
Impedance	In / Out : 50 Ω	In / Out : 50 Ω
(4) Torque for Tuning Screw	> 100gf cm	

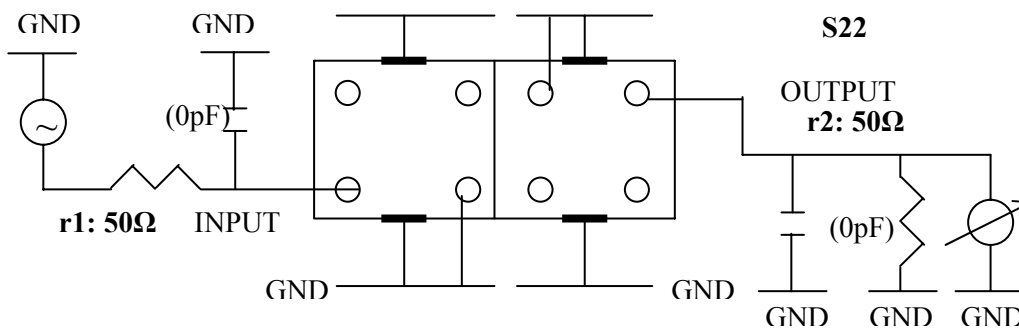
### (5) Temperature Condition:

Operating Temperature	0 ~ +60
Storage Temperature	20 ~ +70

### (6) Input Power

> 1Watt

### (7) Measuring Circuit: Easy to match Impedance S11/S22 50Ω by parallel with about ( 0 ) pF.



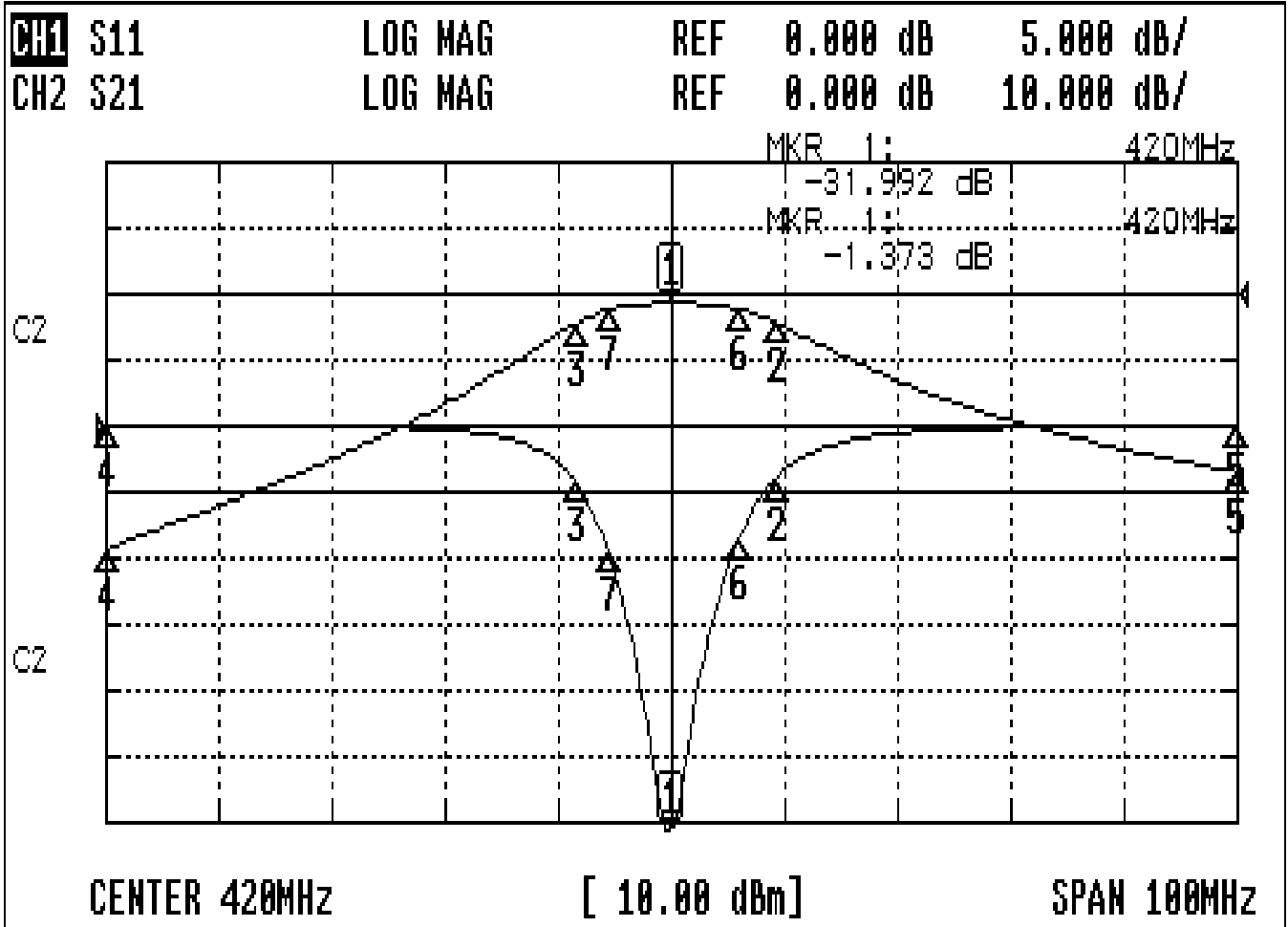
(Bottom View)

Approval C.Y.Chang	Supervisor C.K.Chang	Designer W.W.Wang	Aperture size 7H2S(4*6.5)(4*6.58) 7H046RB4
-----------------------	-------------------------	----------------------	--

TEMWELL CORPORATION

# Performance-K2B1-420M-11M

## 200904105CD



### CH1 MARKER LIST

1:	420.000MHz	-31.992	dB
2:	429.250MHz	-3.983	dB
3:	411.583MHz	-4.274	dB
4:	370.000MHz	0.037	dB
5:	470.000MHz	0.052	dB
6:	426.000MHz	-8.578	dB
7:	414.583MHz	-9.742	dB
8:			
9:			
10:			

### CH2 MARKER LIST

1:	420.000MHz	-1.375	dB
2:	429.250MHz	-4.358	dB
3:	411.583MHz	-4.387	dB
4:	370.000MHz	-1.389	dB
5:	470.000MHz	-2.389	dB
6:	426.000MHz	-2.361	dB
7:	414.583MHz	-2.329	dB
8:			
9:			
10:			