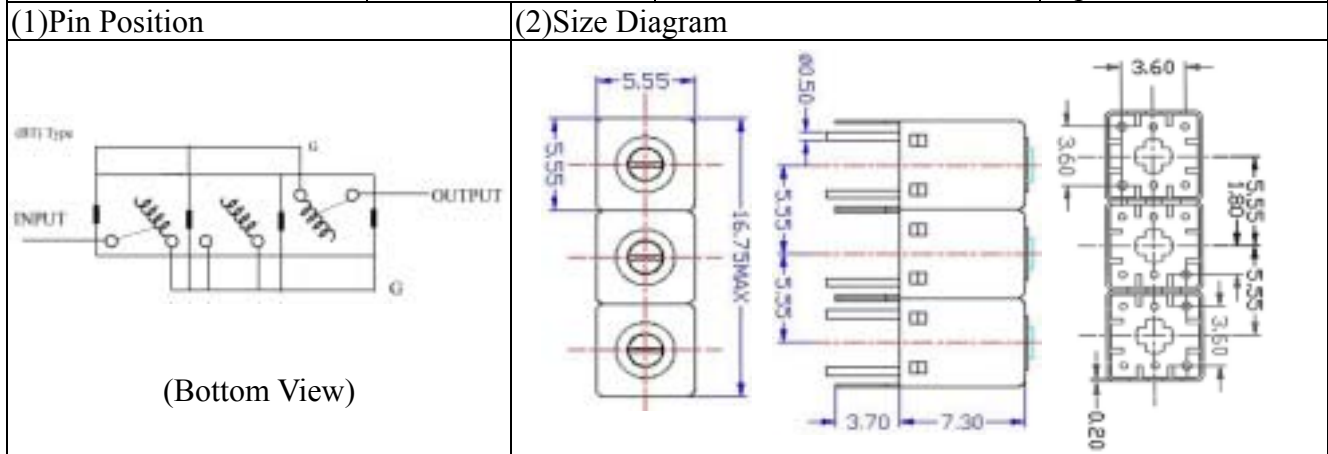


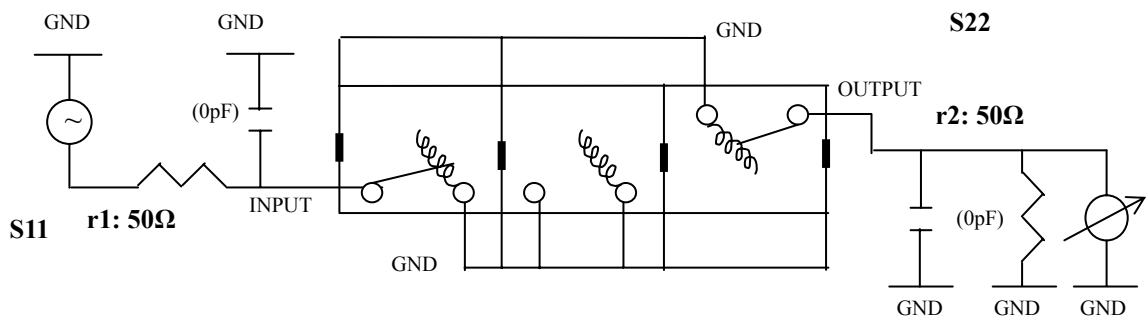
# VHF UHF Helical Filter Specification Sheet

|                      |             |                      |                |
|----------------------|-------------|----------------------|----------------|
| Customer Name        |             | Temwell's Part No.   | K3RBT-655M-16M |
| Approval No. /dated  | 0909069CD   | Temwell's Print name | K3RBT<br>655M  |
| Work Instruction No. | 200909069CD | Date                 | Sep.25.2009    |



| (3) Electric Characteristic  |             | Item                        | Specify         | Performance     |
|------------------------------|-------------|-----------------------------|-----------------|-----------------|
|                              |             | Center Freq.(Fo) +/- 0.5 %  | 655 MHz         | 655 MHz         |
|                              |             | Insertion Loss              | Typ. 4.0 dB     | 3.00 dB         |
|                              |             | -3 dB Bandwidth             | Typ. 16 MHz     | 20.3 MHz        |
| Sensitivity<br>(Attenuation) | Fo - 50 MHz | Typ. 30 dBc                 | 38 dBc          |                 |
|                              | Fo + 50 MHz | Typ. 26 dBc                 | 32 dBc          |                 |
|                              | Fo - ( )MHz | Typ. dBc                    | dBc             |                 |
|                              | Fo +( )MHz  | Typ. dBc                    | dBc             |                 |
|                              |             | Return Loss                 | Min. 12 dB      | 39.6 dB         |
|                              |             | Ripple                      | < 1 dB          | dB              |
|                              |             | Impedance                   | In / Out : 50 Ω | In / Out : 50 Ω |
|                              |             | (4) Torque for Tuning Screw | > 60gf cm       |                 |
|                              |             | (5) Temperature Condition:  |                 |                 |
|                              |             | Operating Temperature       | 0 ~ +60         |                 |
|                              |             | Storage Temperature         | -20 ~ +70       |                 |
|                              |             | (6) Input Power             | > 0.5Watt       |                 |

(7) Measuring Circuit: Easy to match Impedance S11/S22 50Ω/ by parallel with about( 0pF) / ( 0pF).



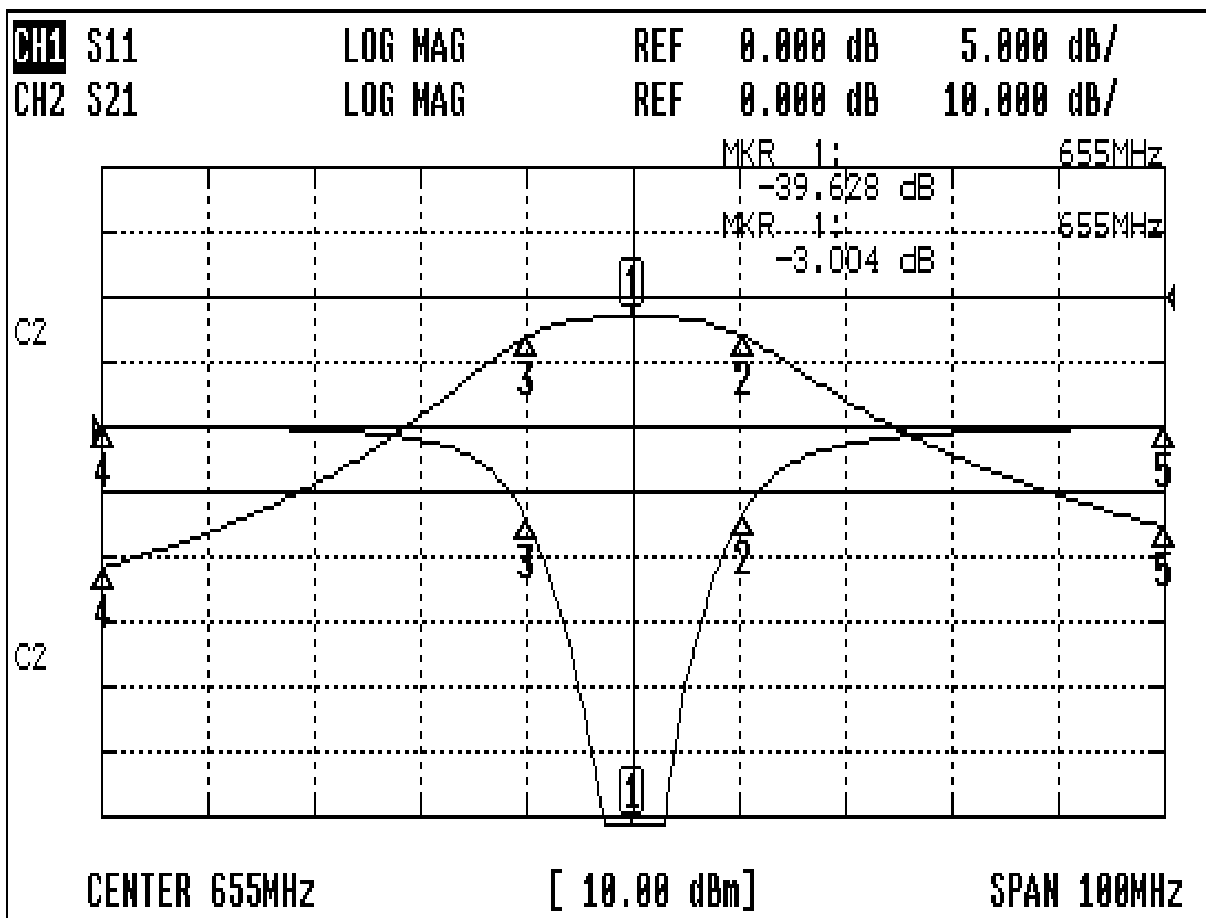
(Bottom View)

|                       |                         |                     |   |
|-----------------------|-------------------------|---------------------|---|
| Approval<br>C.Y.Chang | Supervisor<br>C.K.Chang | Designer<br>C.H.Yeh | Aperture size<br>5R3S(3.8*3.7)(3.72)<br>5HW024RB3 |
|-----------------------|-------------------------|---------------------|---|

TEMWELL CORPORATION

# Performance-K3RBT-655M-16M

## 200909069CD



**CH1 MARKER LIST**

|    |            |            |
|----|------------|------------|
| 1: | 655.000MHz | -39.636 dB |
| 2: | 665.333MHz | -6.756 dB  |
| 3: | 645.000MHz | -7.037 dB  |
| 4: | 605.000MHz | 0.078 dB   |
| 5: | 705.000MHz | -0.026 dB  |

**CH2 MARKER LIST**

|    |            |            |
|----|------------|------------|
| 1: | 655.000MHz | -3.004 dB  |
| 2: | 665.333MHz | -6.012 dB  |
| 3: | 645.000MHz | -6.009 dB  |
| 4: | 605.000MHz | -41.551 dB |
| 5: | 705.000MHz | -35.475 dB |