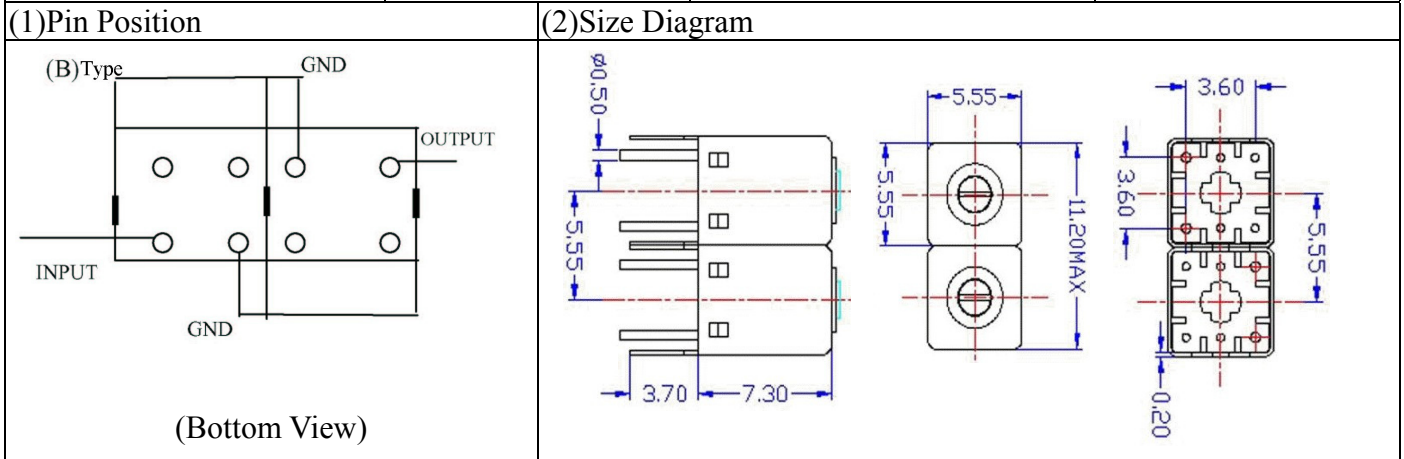


# VHF UHF Helical Filter Specification Sheet

Customer Name		Temwell's Part No.	K2RB-820M-20M
Approval No. /dated	0904130CD	Temwell's print name.	K2RB 820M
Work Instruction No.	200904130CD	Date	Jun.03.2009



(3) Electric Characteristic

Item	Specify	Performance	
Center Freq.(Fo) +/- 0.5 %	820 MHz	820 MHz	
Insertion Loss	Typ. 3.0 dB	2.54 dB	
-3 dB Bandwidth	Typ. 20 MHz	24.8 MHz	
Sensitivity (Attenuation)	Fo - 100 MHz	Typ. 35 dBc	39 dBc
	Fo + 100 MHz	Typ. 25 dBc	29 dBc
	Fo - ( )MHz	Typ. dBc	dBc
	Fo +( )MHz	Typ. dBc	dBc
Return Loss	Min. 12 dB	21.2 dB	
Ripple	< 1 dB	dB	
Impedance	In / Out : 50 Ω	In / Out : 50 Ω	

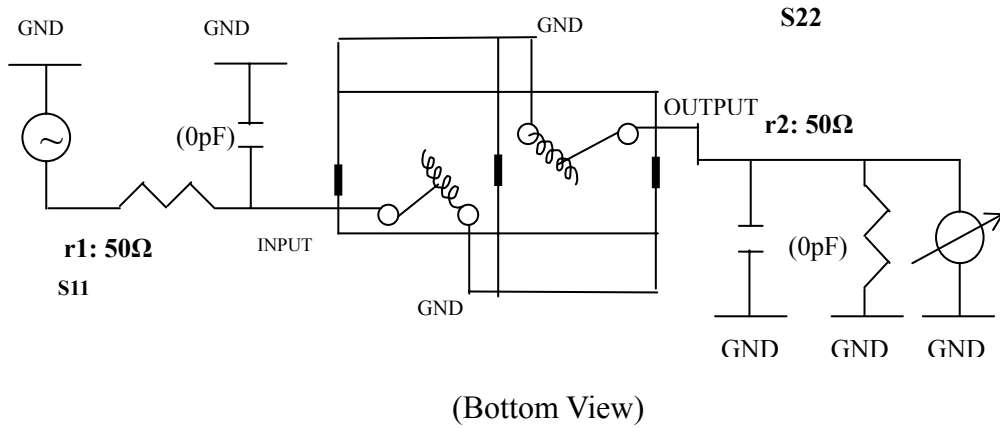
(4) Torque for Tuning Screw > 60gf · cm

(5) Temperature Condition:

Operating Temperature	0°C ~ +60°C
Storage Temperature	-20°C ~ +70°C

(6) Input Power > 0.5Watt

(7) Measuring Circuit: ※Easy to match Impedance 50Ω by parallel with about (0) pF.



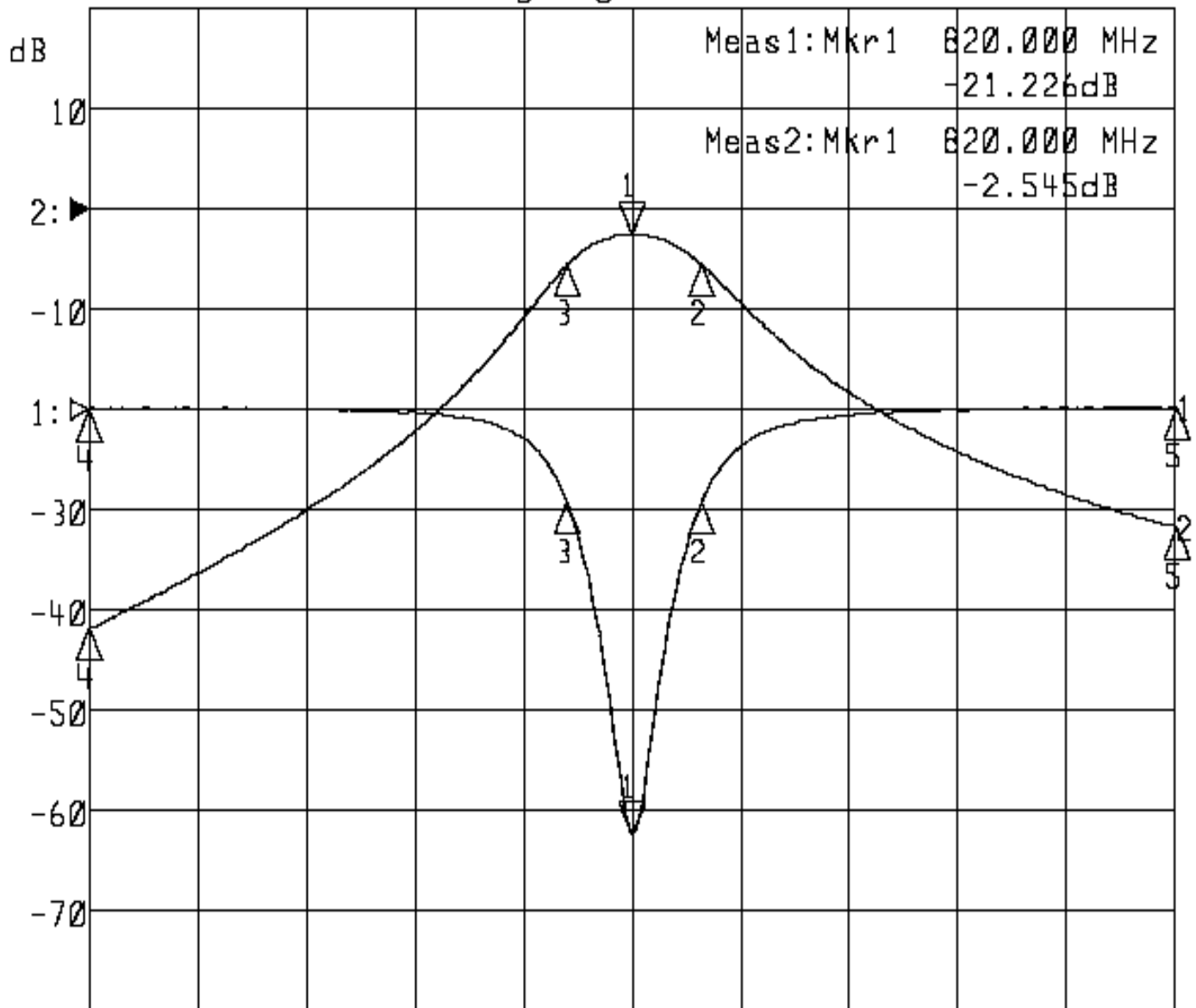
Approval	Supervisor	Designer	Aperture size
C.Y.Chang	C.K.Chang	J.F.Lin	5R2S(3.8*3.7)(3.71) 5HW024RB3

TEMWELL CORPORATION

# Performance-K2RB-820-20M

**200904130CD**

▶1:S11 Refl Port1 Log Mag 5.0 dB/ Ref 0.00 dB C  
 ▶2:S21 Fwd Trans Log Mag 10.0 dB/ Ref 0.00 dB C



Center 820.000 MHz

Span 200.000 MHz

1:Mkr (MHz)	dB	2:Mkr (MHz)	dB
1> 820.0000	-21.226	1> 820.0000	-2.545
2: 832.9333	-4.603	2: 832.9333	-5.544
3: 808.1333	-4.632	3: 808.1333	-5.553
4: 720.0000	0.053	4: 720.0000	-41.870
5: 920.0000	0.177	5: 920.0000	-31.632