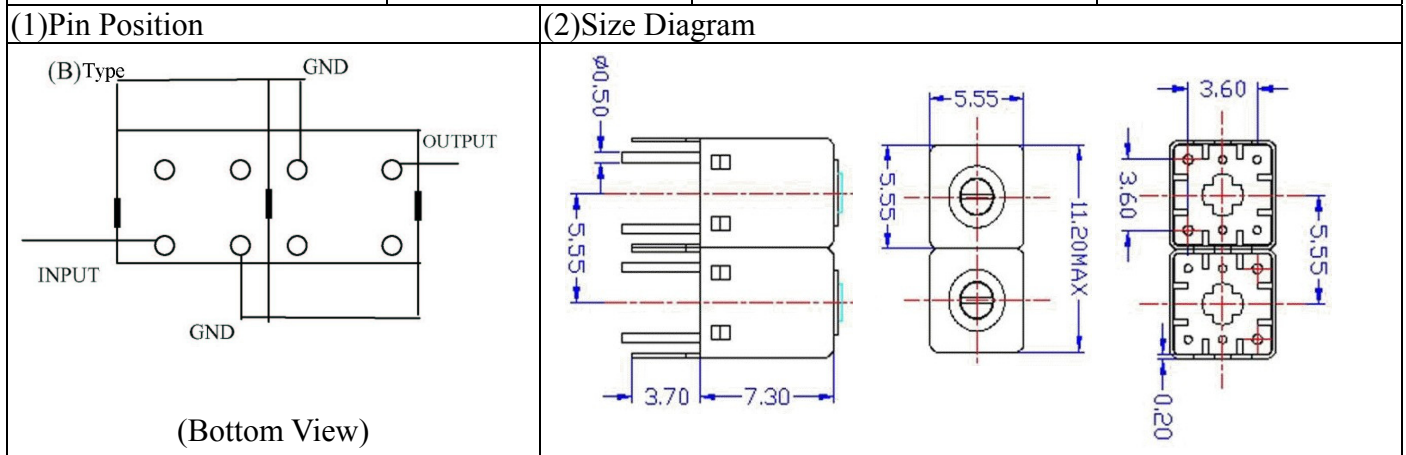
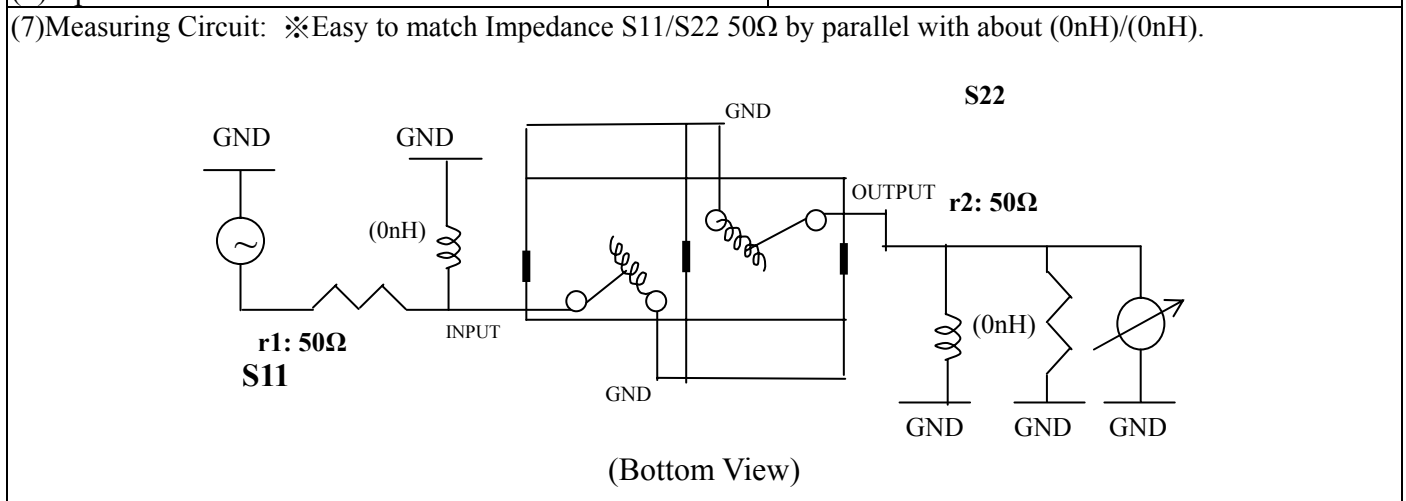


VHF UHF Helical Filter Specification Sheet

Customer Name		Temwell's Part No.	K2RB-425M-10M
Approval No. /dated	0904110CD	Temwell's print name.	K2RB 425M
Work Instruction No.	200904110CD	Date	Jun.26.2009



(3) Electric Characteristic			
Item		Specify	Performance
Center Freq.(Fo) +/- 0.5 %		425 MHz	425 MHz
Insertion Loss		Typ. 3.5 dB	2.47 dB
-3 dB Bandwidth		Typ. 10 MHz	15.3 MHz
Sensitivity (Attenuation)	Fo - 50 MHz	Typ. 25 dBc	27 dBc
	Fo +50 MHz	Typ. 25 dBc	34 dBc
	Fo - ()MHz	Typ. dBc	dBc
	Fo +()MHz	Typ. dBc	dBc
Return Loss		Min. 12 dB	20.5 dB
Ripple		< 1 dB	dB
Impedance		In / Out : 50 Ω	In / Out : 50 Ω
(4) Torque for Tuning Screw		> 100gf · cm	
(5) Temperature Condition:			
Operating Temperature		0°C ~ +60°C	
Storage Temperature		-20°C ~ +70°C	
(6) Input Power		> 0.5Watt	

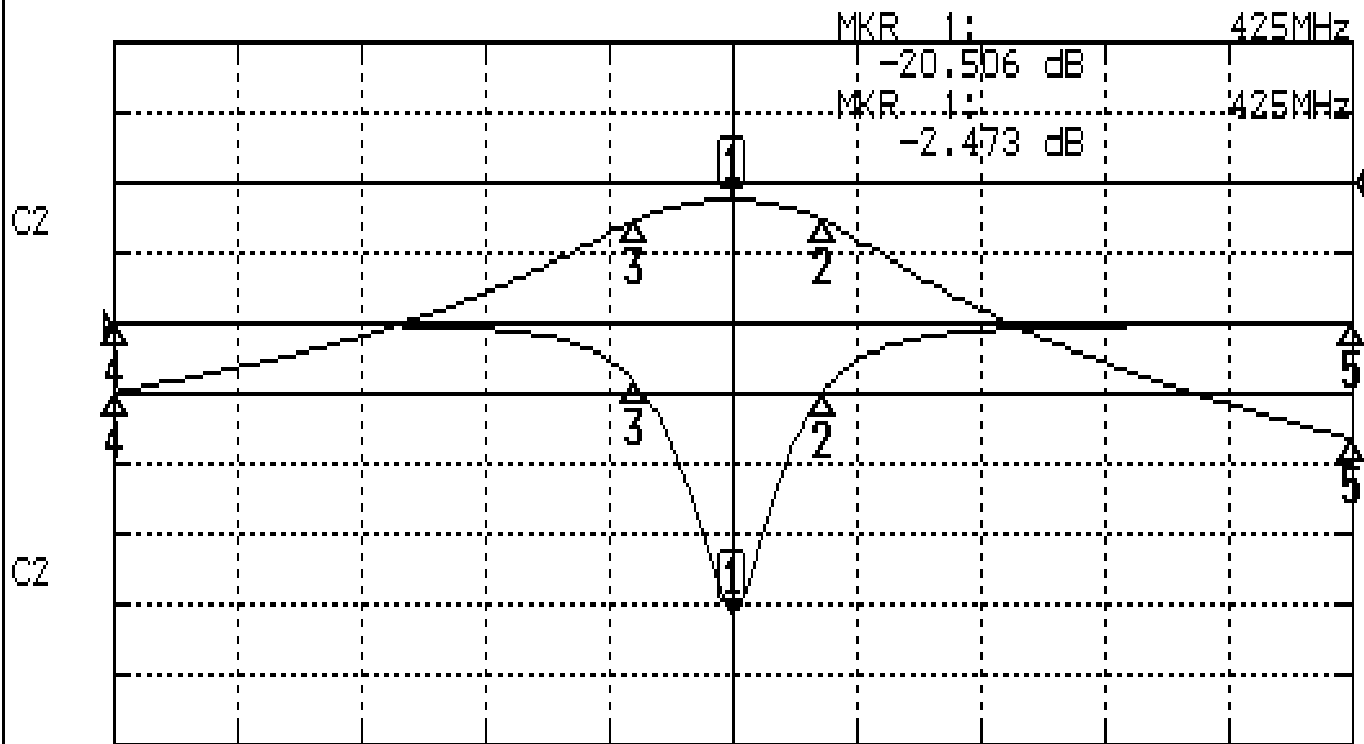


Approval	Supervisor	Designer	Aperture size
C.Y.Chang	C.K.Chang	Fun	5R2S(3.8*3.7)(3.79) (5HW024LB3)
TEMWELL CORPORATION			

Performance-K2RB-425M-10M

200904110CD

CH1 S11 LOG MAG REF 0.000 dB 5.000 dB/
CH2 S21 LOG MAG REF 0.000 dB 10.000 dB/



CENTER 425MHz

[10.00 dBm]

SPAN 100MHz

CH1 MARKER LIST

1:	425.000MHz	-20.506	dB
2:	432.333MHz	-4.881	dB
3:	417.000MHz	-4.077	dB
4:	375.000MHz	0.005	dB
5:	475.000MHz	0.002	dB
6:			
7:			
8:			
9:			
10:			

CH2 MARKER LIST

1:	425.000MHz	-2.473	dB
2:	432.333MHz	-1.411	dB
3:	417.000MHz	-1.450	dB
4:	375.000MHz	-29.653	dB
5:	475.000MHz	-36.473	dB
6:			
7:			
8:			
9:			
10:			