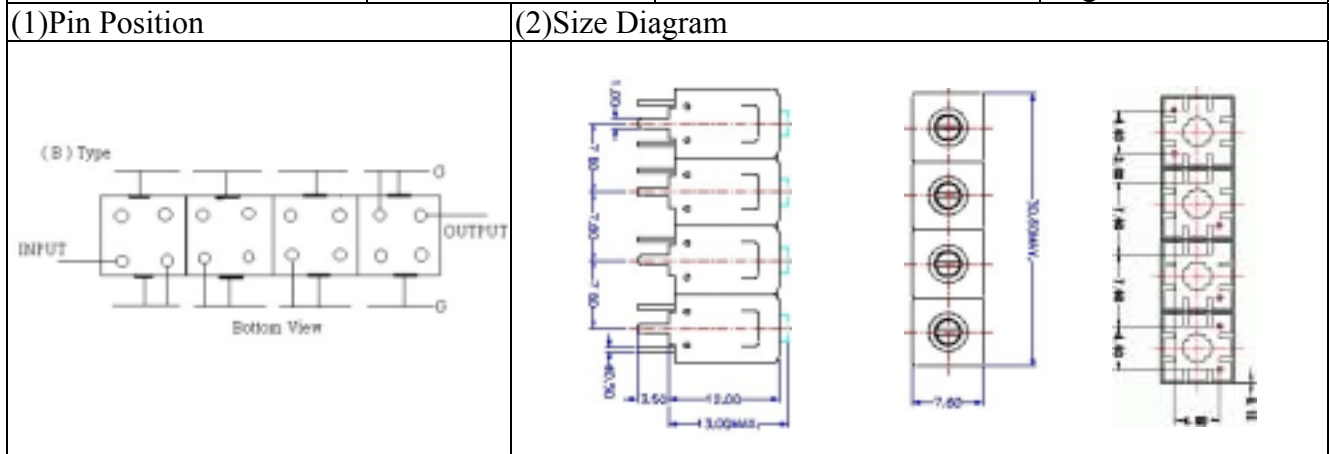


# VHF UHF Helical Filter Specification Sheet

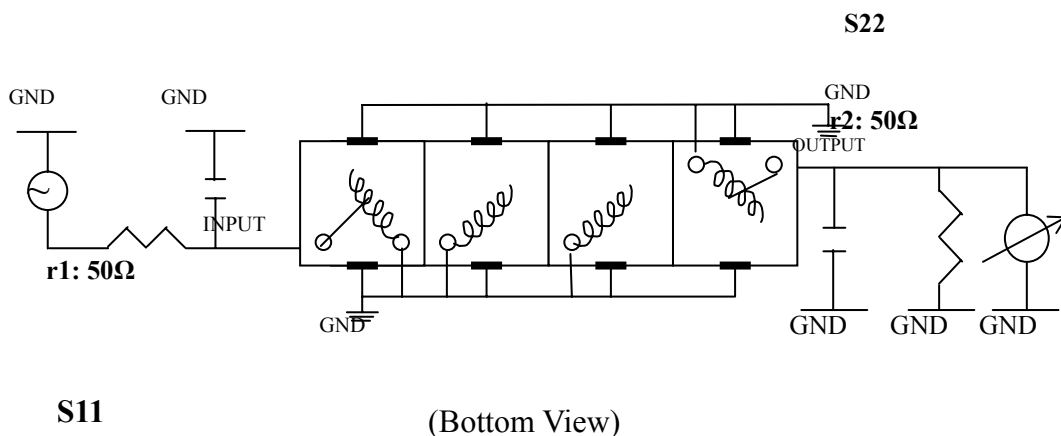
Customer Name		Temwell's Part No.	TF64389B-74.5M
Approval No. /dated	201008007CD	Temwell's Print Name	64389B 74.5M
Work Instruction No.	201008007CD	Date	Aug.03.2010



### (3) Electric Charasteric

Item	Specify	Performance	
Center Freq.(Fo ) +/- 0.5 %	74.5 MHz	74.5 MHz	
Insertion Loss	Typ. 2.5 dB	1.80 dB	
-3 dB Bandwidth	Typ. 20 MHz	22.4 MHz	
Sensitivity (Attenuation )	Fo - 50 MHz	Typ. 60 dBc	63 dBc
	Fo + 50 MHz	Typ. 55 dBc	59 dBc
	Fo - ( )MHz	Typ. dBc	dBc
	Fo +( )MHz	Typ. dBc	dBc
Return Loss	Min. 12 dB	15.1 dB	
Ripple	< 1 dB	dB	
Impedance	In / Out : 50 Ω	In / Out : 50 Ω	
(4)Torque for Tuning Screw	> 60gf cm		
(5)Temperature Condition:			
Operating Temperature	0 ~ +60		
Storage Temperature	-20 ~ +70		
(6)Input Power	> 1Watt		

(7)Measuring Circuit: Easy to match Impedance S11/S22 50Ω/ by parallel with about(--)/ (--).



Approval	Supervisor	Designer	Aperture size
C.Y.Chang	C.K.Chang	P.H.Chiang	7H4(4*7.5)(7.55) 7H00LB6.5
TEMWELL CORPORATION			

# Performance-TF64389B-74.5M

## 201008007CD

