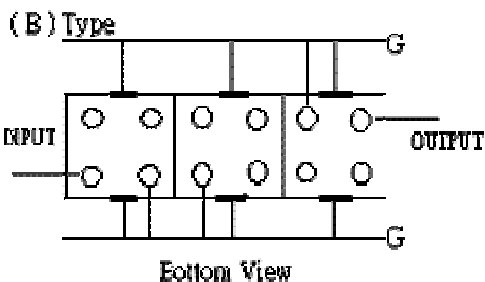
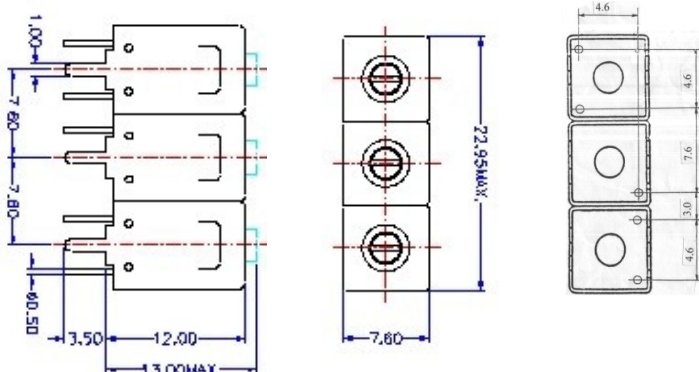


# VHF UHF Helical Filter Specification Sheet

Customer Name		Temwell's Part No.	TTL67452B-332.5M
Approval No. /dated	20311008DB	Acceptable Specify Fo.Range	311~355MHz
Work Instruction No.	20311008DB	Date	Nov.14.2003

(1)Pin Position	(2)Size Diagram
 <p>(B) Type</p> <p>Bottom View</p>	

### (3)Electric Charasteric

Item	Specify	Performance	
Center Freq.(Fo ) +/- 0.5 %	332.5 MHz	332.5 MHz	
Tunable Range:	332.5±4 MHz	332.5±4 MHz	
Insertion Loss	Typ. 4.0 dB	3.2 dB	
-3 dB Bandwidth	Typ. 7 MHz	9 MHz	
Sensitivity (Attenuation )	Fo - 10 MHz	Typ. 16 dBc	18 dBc
	Fo + 10 MHz	Typ. 14 dBc	16 dBc
	Fo - ( )MHz	Typ. dBc	dBc
	Fo +( )MHz	Typ. dBc	dBc
Return Loss	Min. 12 dB	28 dB	
Ripple	< 1 dB	dB	
Impedance	In / Out : 75 Ω	In / Out : 75 Ω	
(4)Torque for Tuning Screw	> 100gf • cm		

### (5)Temperature Condition:

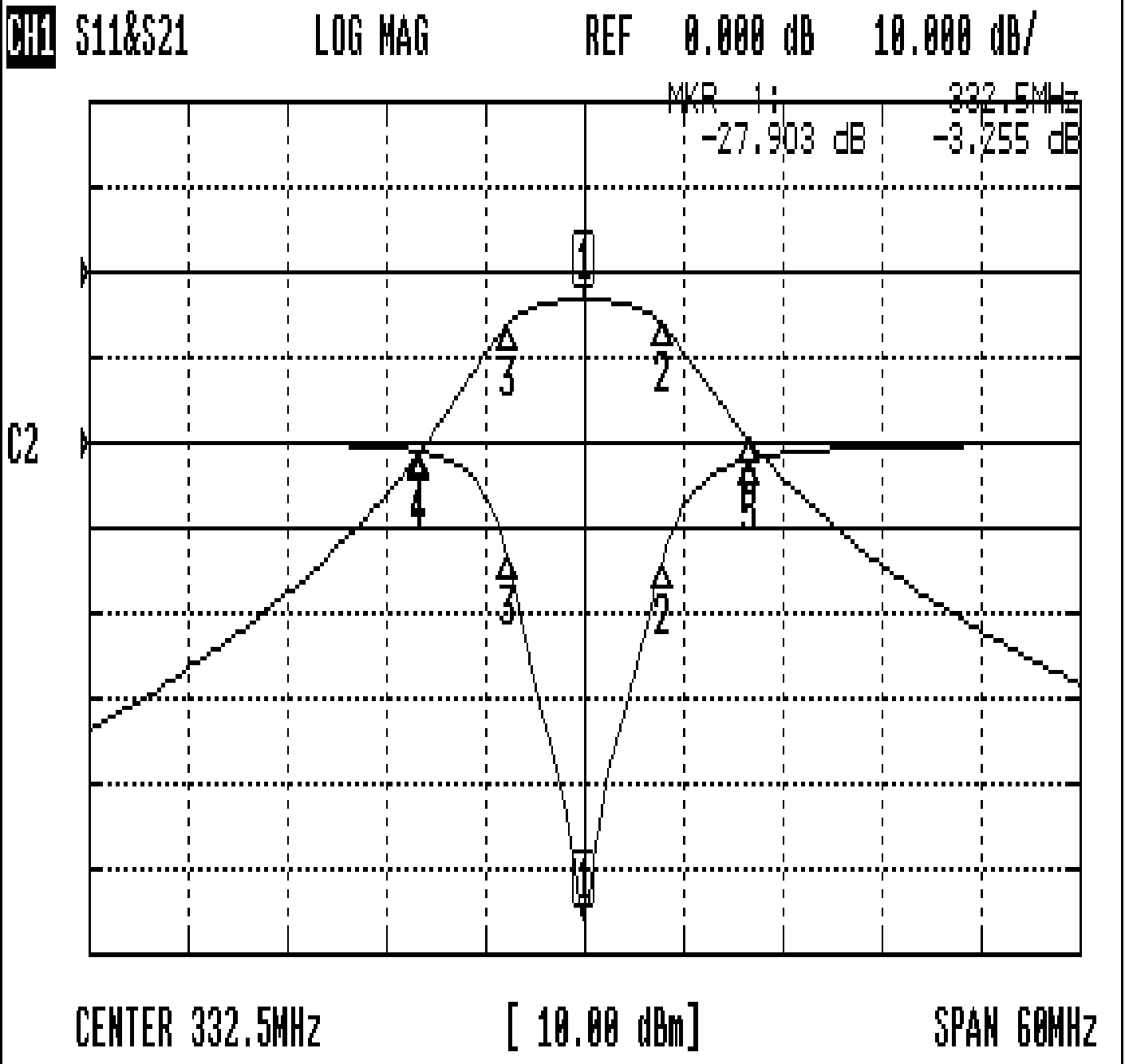
Operating Temperature	0°C ~ +60°C
Storage Temperature	-20°C ~ +70°C
(6)Input Power	> 1Watt

Approval	Supervisor	Designer	Aperture size
C. Y. Chang	C.S.Chang	C. S. Chang	7H3S(4*5.5) 7H046LB4 聚 3

TEMWELL CORPORATION

# Performance-TTL67452B-332.5M

## 20311008DB



### CH1 MARKER LIST

1:	332.500MHz	-27.903 dB	-3.255 dB
2:	337.250MHz	-6.916 dB	-6.268 dB
3:	327.850MHz	-6.612 dB	-6.211 dB
4:	322.500MHz	-0.519 dB	-21.174 dB
5:	342.500MHz	-0.966 dB	-19.753 dB