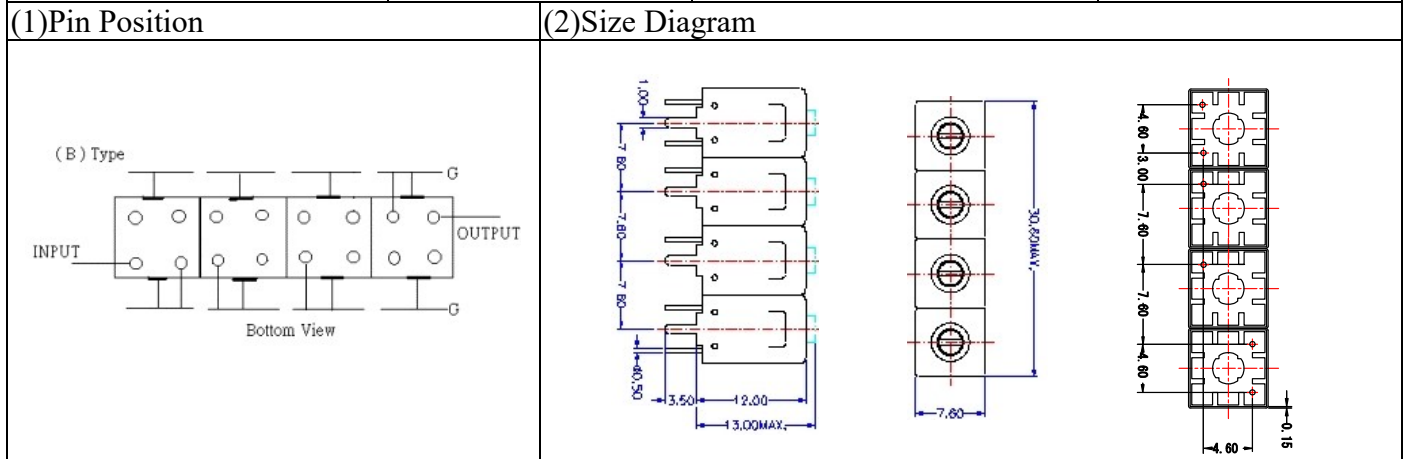


VHF UHF Helical Filter Specification Sheet

Customer Name		Temwell's Part No.	TF69553B-473M
Approval No. /dated	201703041CD	Temwell's Print Name	69553B 473M
Work Instruction No.	201703041CD	Date	Mar.20.2017



(3) Electric Characteristic			
Item	Specify	Performance	
Center Freq.(Fo) +/- 0.5 %	473 MHz	473	MHz
Insertion Loss	Typ. 3.5 dB	2.63	dB
-3 dB Bandwidth	Typ. 14 MHz	18.4	MHz
Sensitivity (Attenuation)	Fo - 50 MHz	Typ. 60	dBc
	Fo +50 MHz	Typ. 45	dBc
	Fo - ()MHz	Typ.	dBc
	Fo +()MHz	Typ.	dBc
Return Loss	Min. 12 dB	18.0	dB
Ripple	< 1 dB		dB
Impedance	In / Out : 50 Ω	In / Out : 50 Ω	

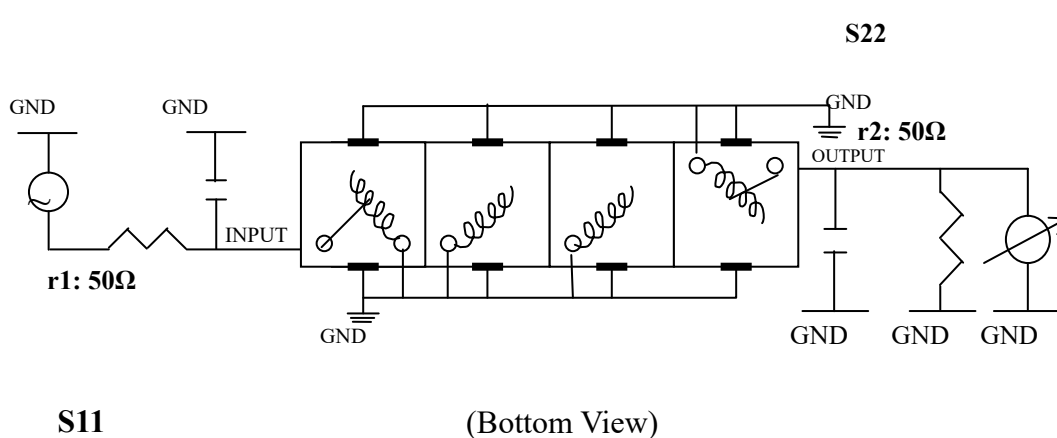
(4) Torque for Tuning Screw > 60gf · cm

(5) Temperature Condition:

Operating Temperature	0°C ~ +60°C
Storage Temperature	-20°C ~ +70°C

(6) Input Power > 1Watt

(7) Measuring Circuit: ※Easy to match Impedance S11/S22 50Ω by parallel with about(- -).



Approval	Supervisor	Designer	Aperture size
C.Y.Chang	C.K.Chang	M.Y.Kang	7H4S(4*6.35)(6.42) 7H046LB4.3 聚 3

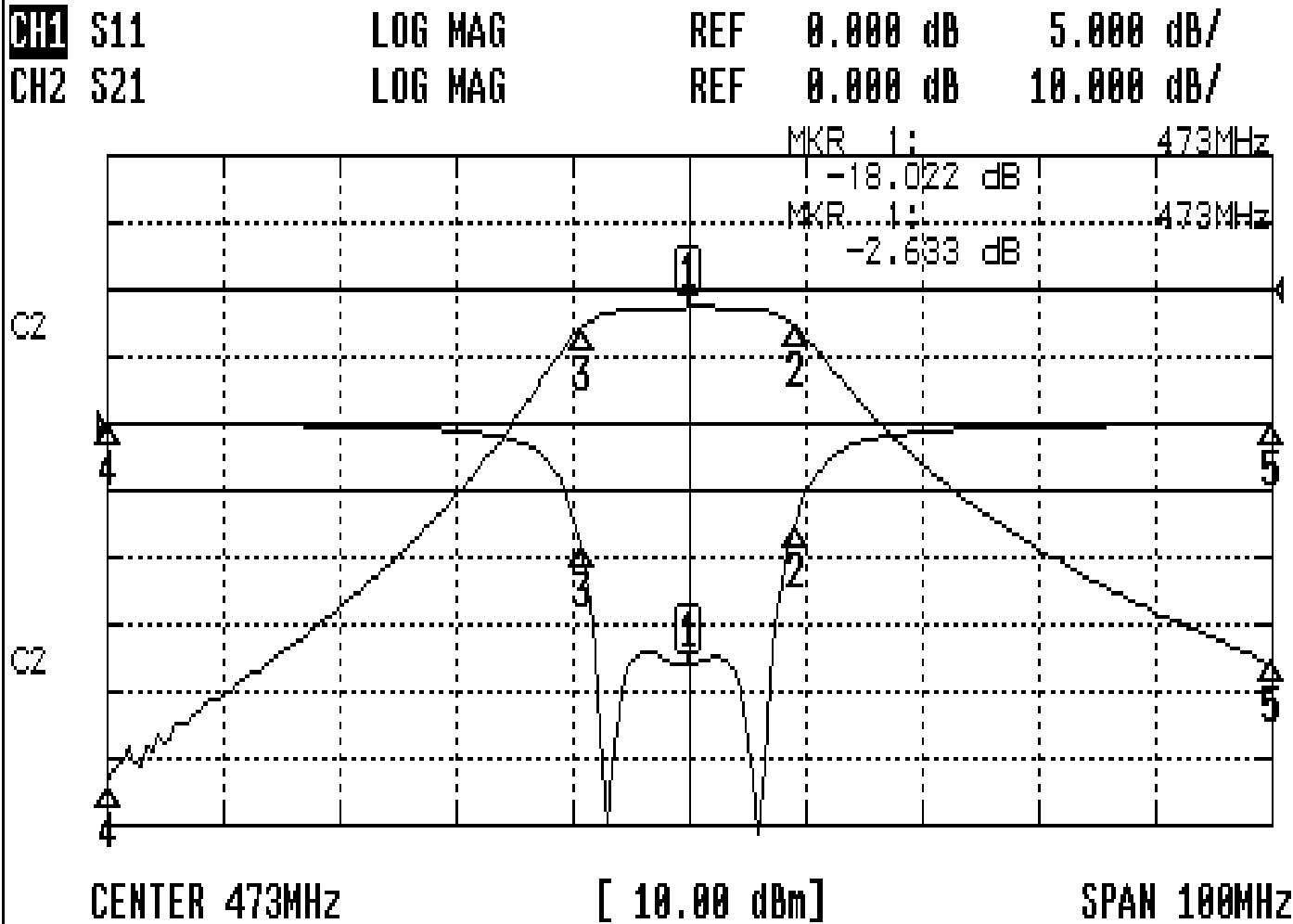
TEMWELL CORPORATION

TEMWELL Form10-7H4B Vision D

RP (M.Y)

Performance-TF69553B-473M

201703041CD



CH1 MARKER LIST

1:	473.000MHz	-18.026	dB
2:	482.180MHz	-7.331	dB
3:	463.730MHz	-9.095	dB
4:	423.000MHz	-0.040	dB
5:	523.000MHz	-0.044	dB
10:			

CH2 MARKER LIST

1:	473.000MHz	-2.633	dB
2:	482.180MHz	-5.659	dB
3:	463.730MHz	-5.638	dB
4:	423.000MHz	-71.823	dB
5:	523.000MHz	-55.449	dB
10:			