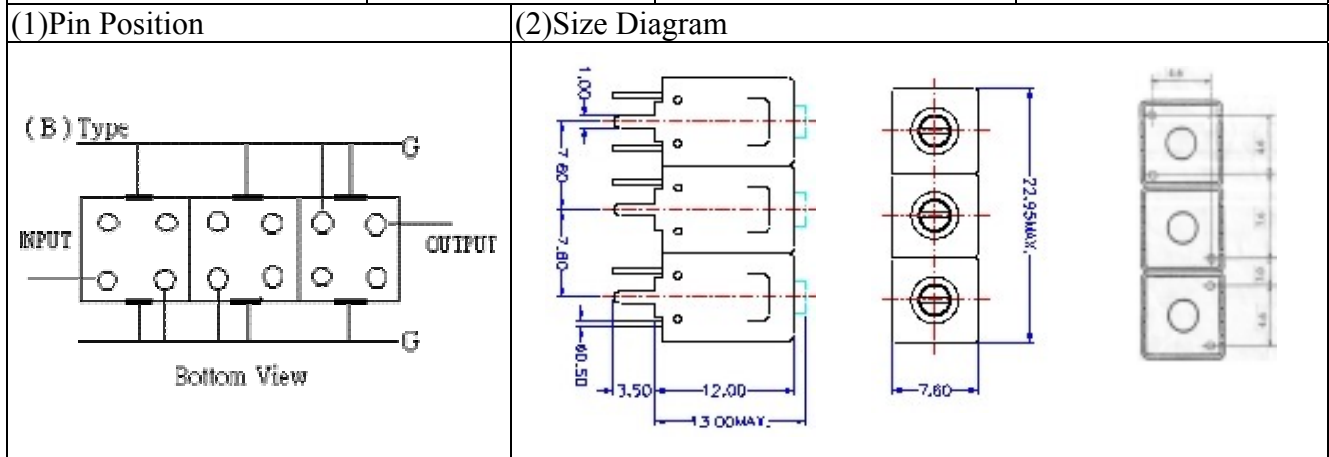
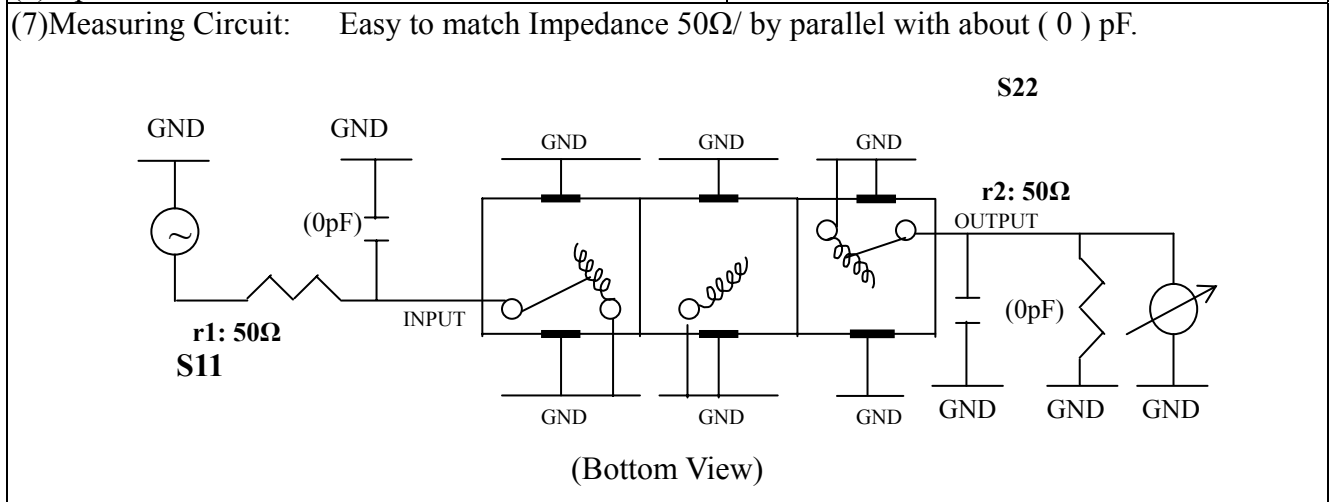


# VHF UHF Helical Filter Specification Sheet

Customer Name		Temwell's Part No.	TT67693B-101M
Approval No. /dated	20507036APR	Temwell's Print Name	67693B 101M
Work Instruction No.	20507036DC	Date	Nov1.10.2006



(3) Electric Characteristic			
Item		Specify	Performance
Center Freq.(Fo) +/- 0.5 %		101 MHz	101 MHz
Insertion Loss		Typ. 3.5 dB	2.69 dB
-3 dB Bandwidth		Typ. 8 MHz	9 MHz
Sensitivity (Attenuation)	Fo - 50 MHz	Typ. 55 dB	62 dB
	Fo + 50 MHz	Typ. 65 dB	75 dB
	Fo - ( )MHz	Typ. dBc	dBc
	Fo +( )MHz	Typ. dBc	dBc
Return Loss		Min. 12 dB	27.9 dB
Ripple		< 1 dB	dB
Impedance		In / Out : 50 Ω	In / Out : 50 Ω
(4) Torque for Tuning Screw		> 100gf cm	
(5) Temperature Condition:			
Operating Temperature		0 ~ +60	
Storage Temperature		-20 ~ +70	
(6) Input Power		> 1Watt	

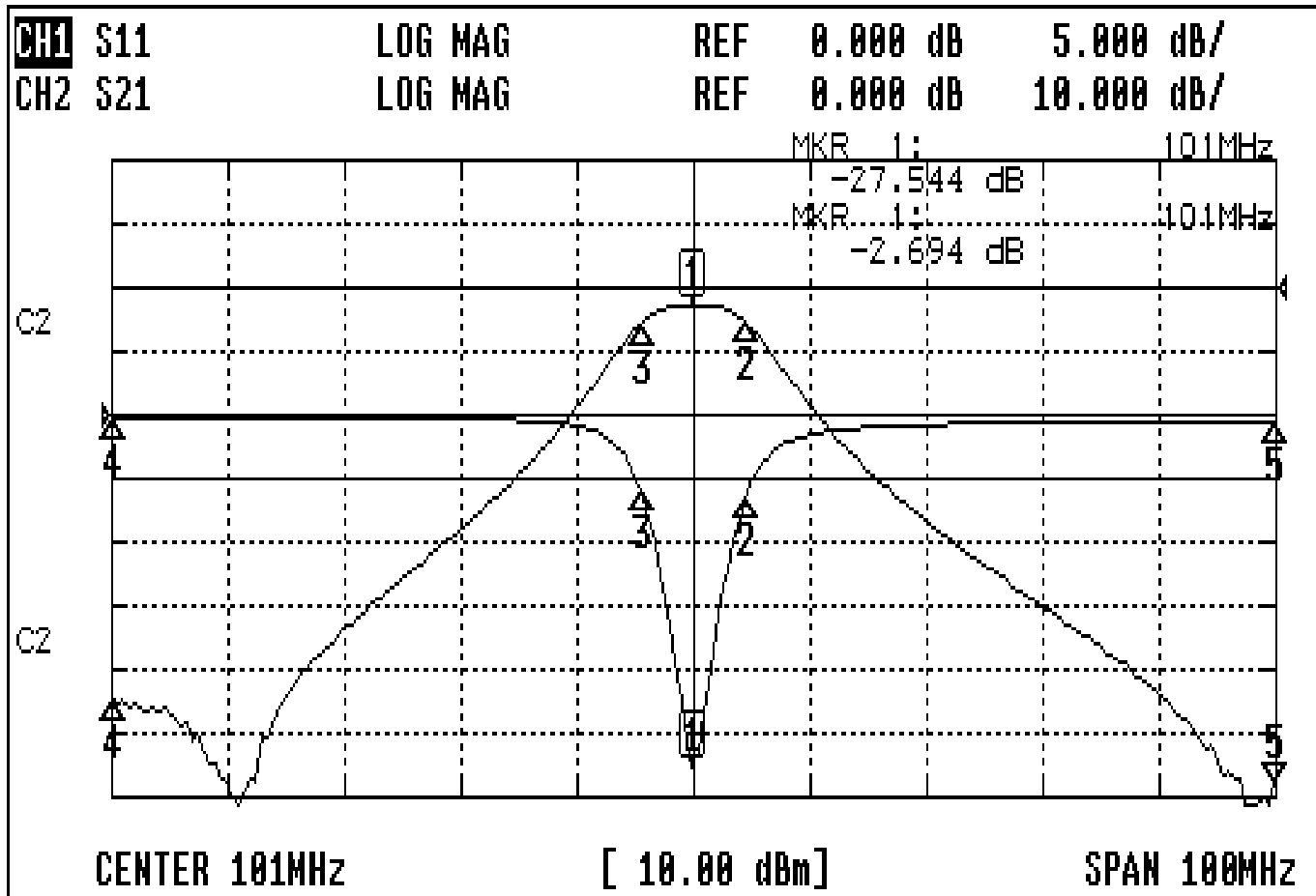


Approval	Supervisor	Designer	Aperture size
C.Y.Chang	C.S.Chang	J.F.Lin	7H2(4*4.65)(4.70) 7H00LB6

TEMWELL CORPORATION

# Performance-TT67693B-101M

## 20507036DC



### CH1 MARKER LIST

1	101.000 MHz	-27.535 dB
2	105.666 MHz	-6.214 dB
3	96.583 MHz	-6.161 dB
4	101.000 MHz	-0.230 dB
5	151.000 MHz	-0.549 dB

### CH2 MARKER LIST

1	101.000 MHz	-2.694 dB
2	105.666 MHz	-5.677 dB
3	96.583 MHz	-5.622 dB
4	101.000 MHz	-65.050 dB
5	151.000 MHz	-77.593 dB