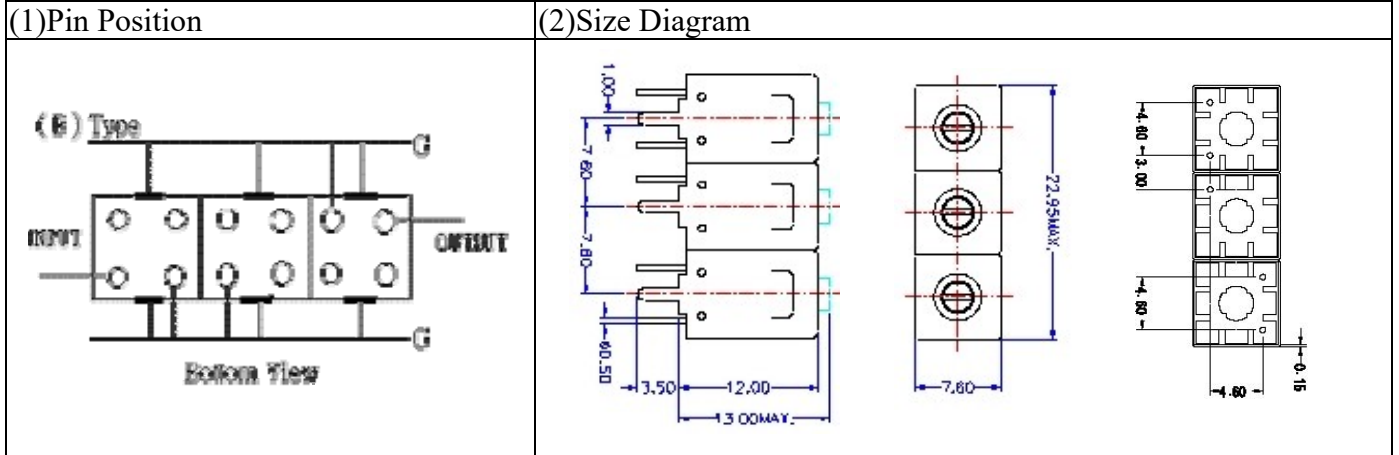


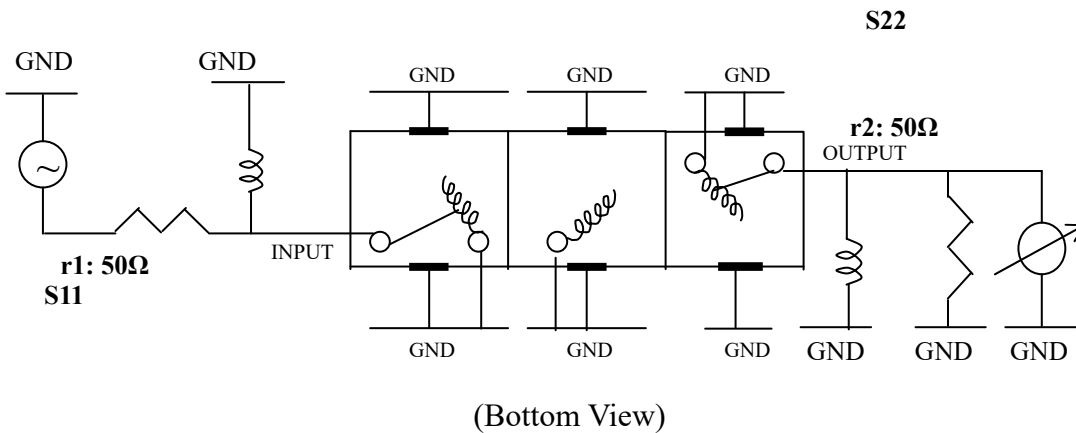
# VHF UHF Helical Filter Specification Sheet

Customer Name		Temwell's Part No.	TT67779B-868M
Approval No. /dated	201407198CD	Temwell's Print name	67779B 868M
Work Instruction No.	201407198CD	Date	Oct.24.2014



(3) Electric Chararistic		Item	Specify	Performance
Center Freq.(Fo) +/- 0.5 %			868 MHz	868 MHz
Insertion Loss		Typ.	3.5 dB	2.61 dB
-3 dB Bandwidth		Typ.	15 MHz	21.0 MHz
Sensitivity (Attenuation)	Fo - 50 MHz	Typ.	42 dBc	45 dBc
	Fo + 50 MHz	Typ.	29 dBc	32 dBc
	Fo - ( )MHz	Typ.	dBc	dBc
	Fo +( )MHz	Typ.	dBc	dBc
Return Loss		Min.	12 dB	36.2 dB
Ripple			< 1 dB	dB
Impedance			In / Out : 50 Ω	In / Out : 50 Ω
(4) Torque for Tuning Screw			> 60gf · cm	
(5) Temperature Condition:				
Operating Temperature			0°C ~ +60°C	
Storage Temperature			-20°C ~ +70°C	
(6) Input Power			> 1 Watt	

(7) Measuring Circuit: ※Easy to match Impedance S11/S22 50Ω by parallel with about(- -).



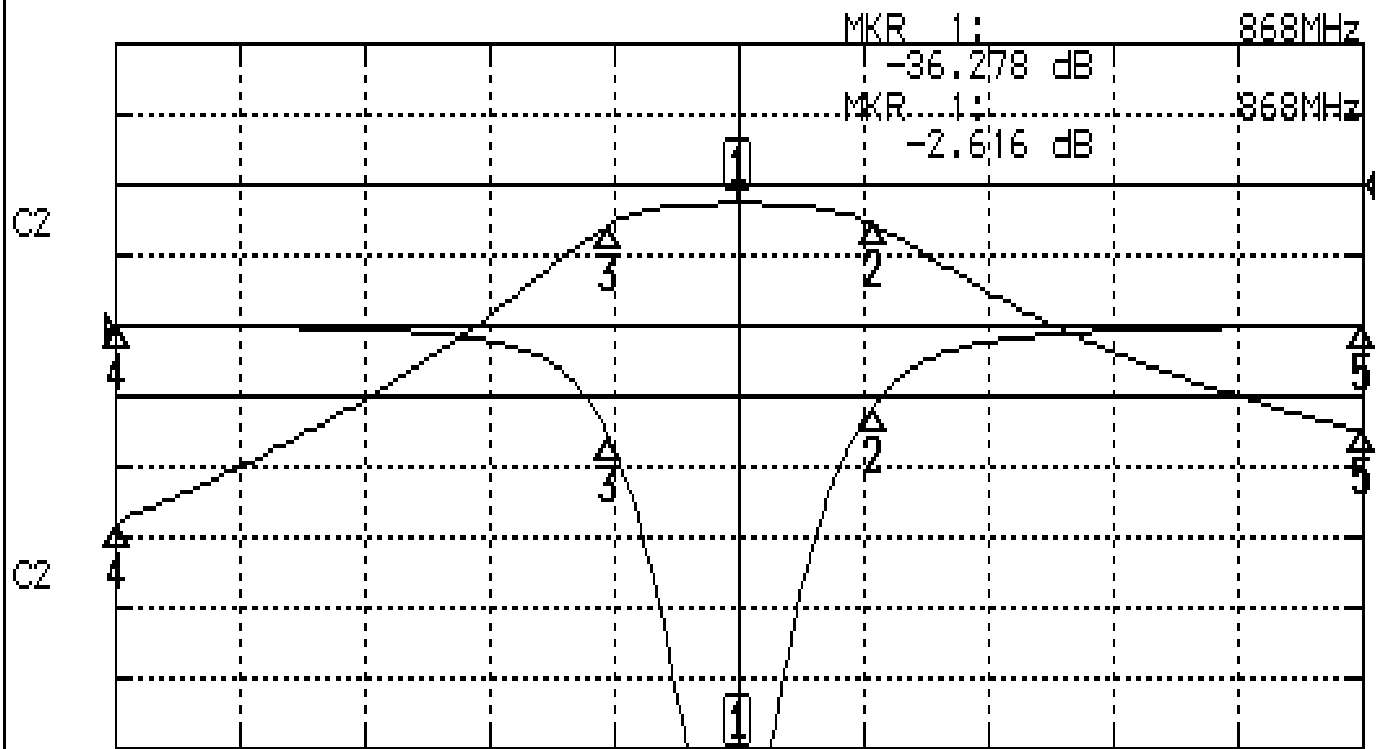
Approval	Supervisor	Designer	Aperture size
C.Y.Chang	C.K.Chang	M.Y.Kang	7H3S(4*5.5)(5.57) 7H046RB4

TEMWELL CORPORATION

# Performance-TT67779B-868M

## 201407198CD

CH1 S11 LOG MAG REF 0.000 dB 5.000 dB/  
CH2 S21 LOG MAG REF 0.000 dB 10.000 dB/



CENTER 868MHz

[ 10.00 dBm ]

SPAN 100MHz

### CH1 MARKER LIST

Marker	Frequency (MHz)	Magnitude (dB)
1	868.000	-36.278
2	878.750	-5.762
3	857.666	-7.873
4	818.000	-0.011
5	918.000	-0.026

### CH2 MARKER LIST

Marker	Frequency (MHz)	Magnitude (dB)
1	868.000	-2.616
2	878.750	-1.110
3	857.666	-1.110
4	818.000	-4.838
5	918.000	-34.922