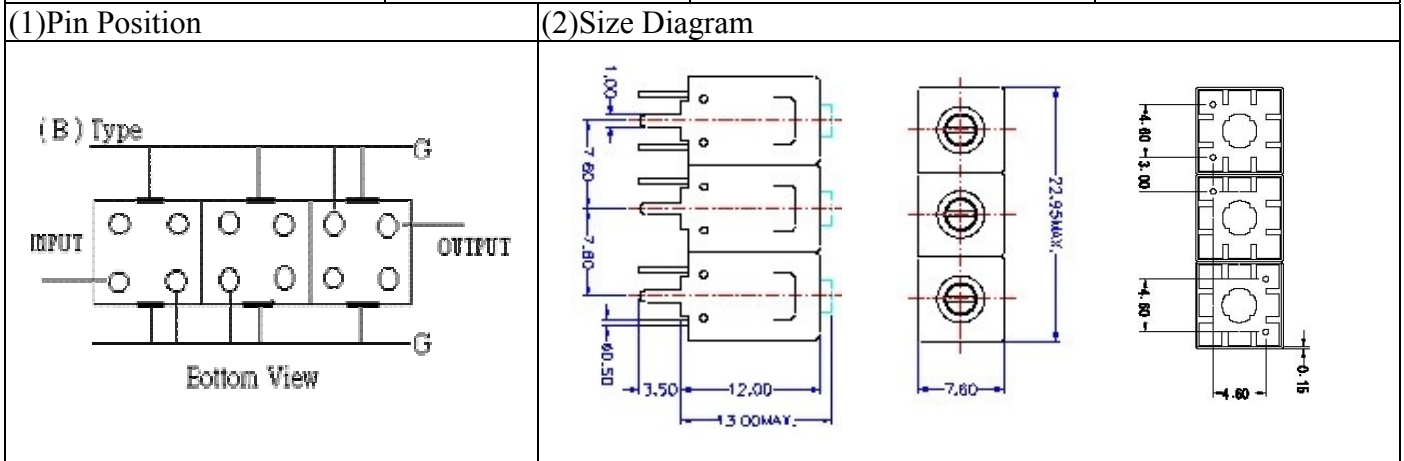
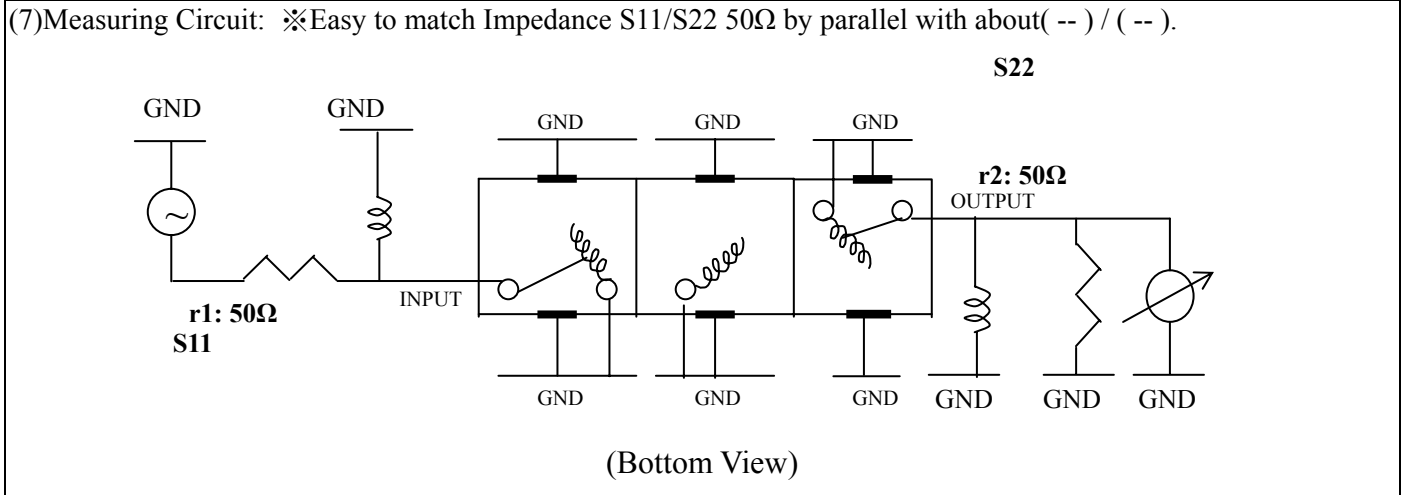


# VHF UHF Helical Filter Specification Sheet

Customer Name		Temwell's Part No.	TT67840B-928M
Approval No. /dated	201407200CD	Temwell's Print name	67840B 928M
Work Instruction No.	201407200CD	Date	Jul.16.2014



(3) Electric Characteristic		Item	Specify	
Center Freq.(Fo) +/- 0.5 %			928	MHz
Insertion Loss		Typ.	4.5	dB
-3 dB Bandwidth		Typ.	15	MHz
Sensitivity (Attenuation)	Fo - 50 MHz	Typ.	40	dBc
	Fo + 50 MHz	Typ.	30	dBc
	Fo - ( )MHz	Typ.		dBc
	Fo +( )MHz	Typ.		dBc
Return Loss		Min.	12	dB
Ripple			< 1	dB
Impedance			In / Out : 50 Ω	
(4) Torque for Tuning Screw			> 60gf · cm	
(5) Temperature Condition:				
Operating Temperature		0°C ~ +60°C		
Storage Temperature		-20°C ~ +70°C		
(6) Input Power		> 1Watt		



Approval C.Y.Chang	Supervisor C.K.Chang	Designer C.S.Chang	Aperture size 7H3S(4*4.65)(4.68) 7H046RB4
-----------------------	-------------------------	-----------------------	---

TEMWELL CORPORATION

# Performance-TT67840B-928M

## 201407200CD

Tr1 S11 Log Mag 5.000dB/ Ref 0.000dB [F2]  
Tr2 S21 Log Mag 10.00dB/ Ref 0.000dB [F2]

