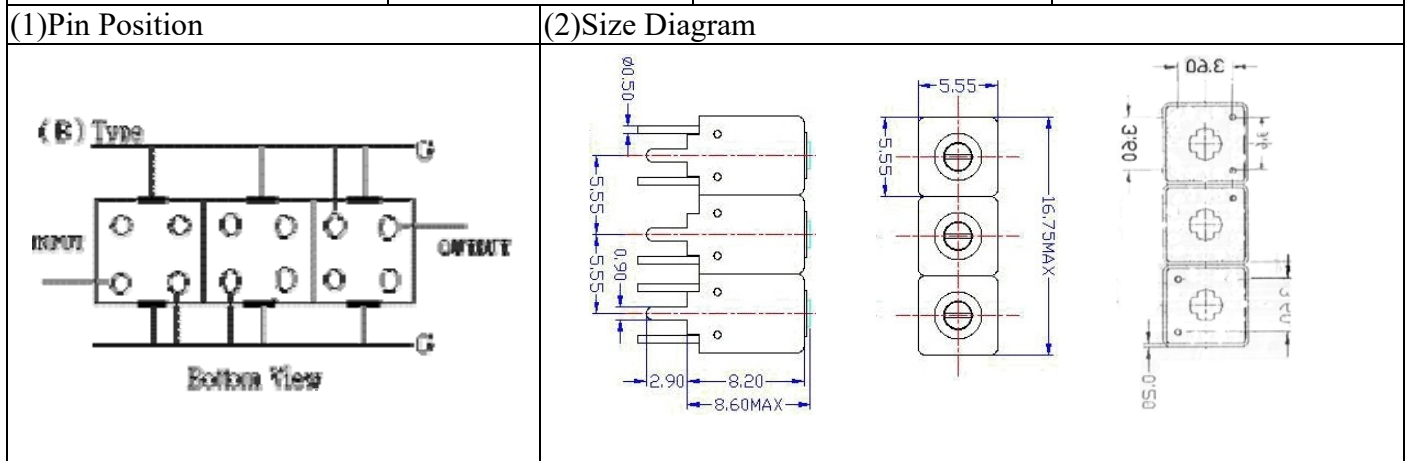


VHF UHF Helical Filter Specification Sheet

Customer Name		Temwell's Part No.	TTW3531B-868M
Approval No. /dated	201407199CD	Temwell's Print Name.	3531B 868M
Work Instruction No.	201407199CD	Date	Jul.18.2014



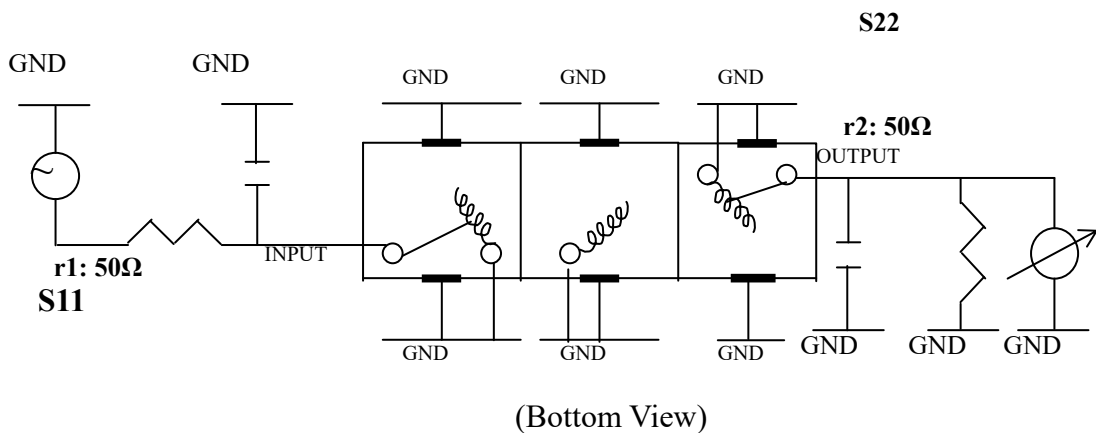
(3) Electric Character			
Item		Specify	Performance
Center Freq.(Fo) +/- 0.5 %		868 MHz	868 MHz
Insertion Loss		Typ. 5.0 dB	3.96 dB
-3 dB Bandwidth		Typ. 15 MHz	19.8 MHz
Sensitivity (Attenuation)	Fo - 50 MHz	Typ. 39 dBc	42 dBc
	Fo +50 MHz	Typ. 31 dBc	34 dBc
	Fo - ()MHz	Typ. dBc	dBc
	Fo +()MHz	Typ. dBc	dBc
Return Loss		Min. 12 dB	22.5. dB
Ripple		< 1 dB	dB
Impedance		In / Out : 50 Ω	In / Out : 50 Ω

(4) Torque for Tuning Screw > 60gf · cm

(5) Temperature Condition:
 Operating Temperature 0°C ~ +60°C
 Storage Temperature -20°C ~ +70°C

(6) Input Power > 0.5Watt

(7) Measuring Circuit: ※Easy to match Impedance S11/S22 50Ω by parallel with about(----)



Approval	Supervisor	Designer	Aperture size
C.Y.Chang	C.K.Chang	C.S.Chang	5W3S(3.8*3.5)(3.62) 5HW024RB3

TEMWELL CORPORATION

TEMWELL

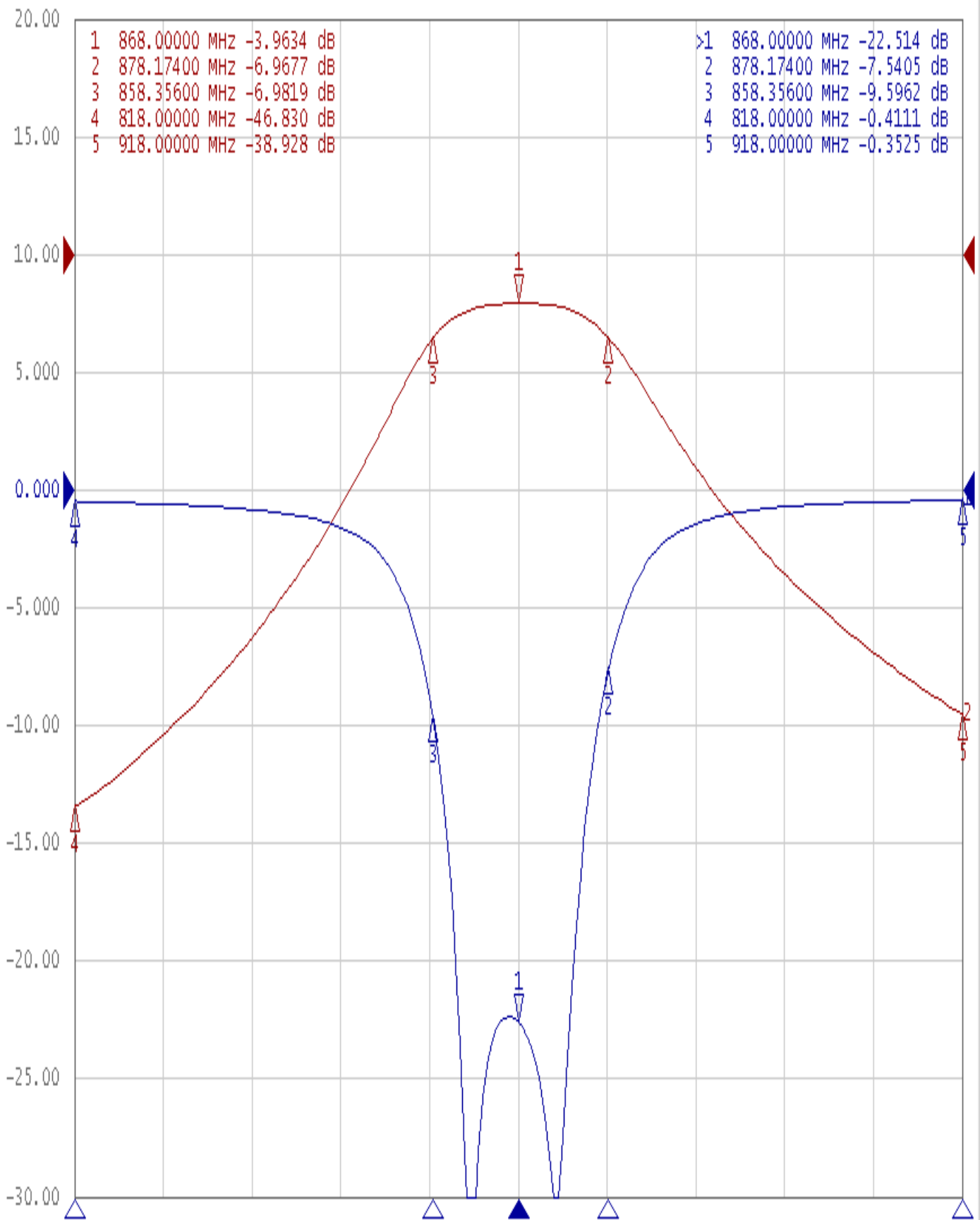
Form10-5W3B Vision D

RP(C.S.C)

Performance-TTW3531B-868M

201407199CD

Tr1 S11 Log Mag 5.000dB/ Ref 0.000dB [F2]
Tr2 S21 Log Mag 10.00dB/ Ref 0.000dB [F2]



1 Center 868 MHz

IFBW 10 kHz

Span 100 MHz Cor !