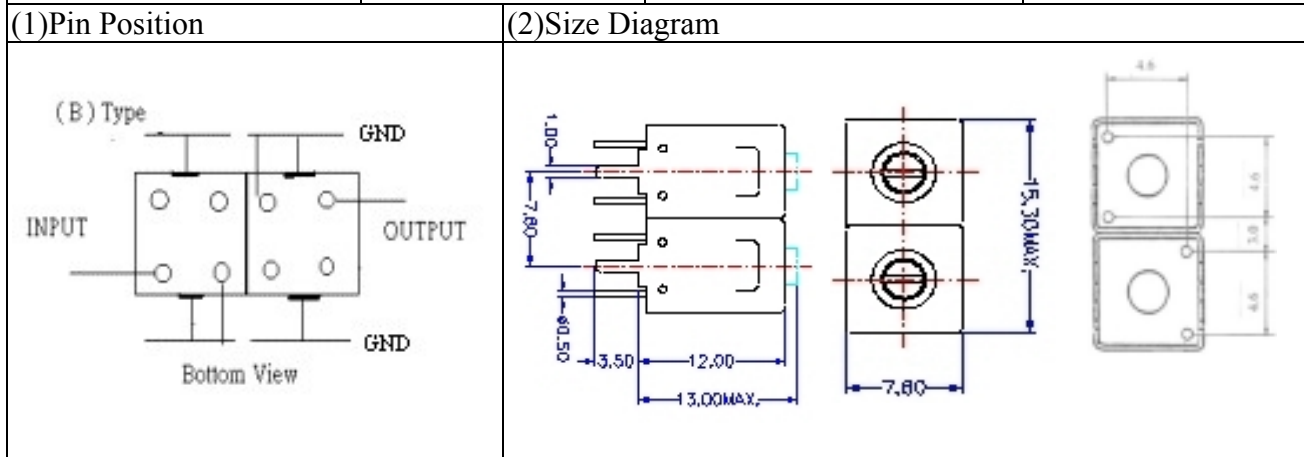
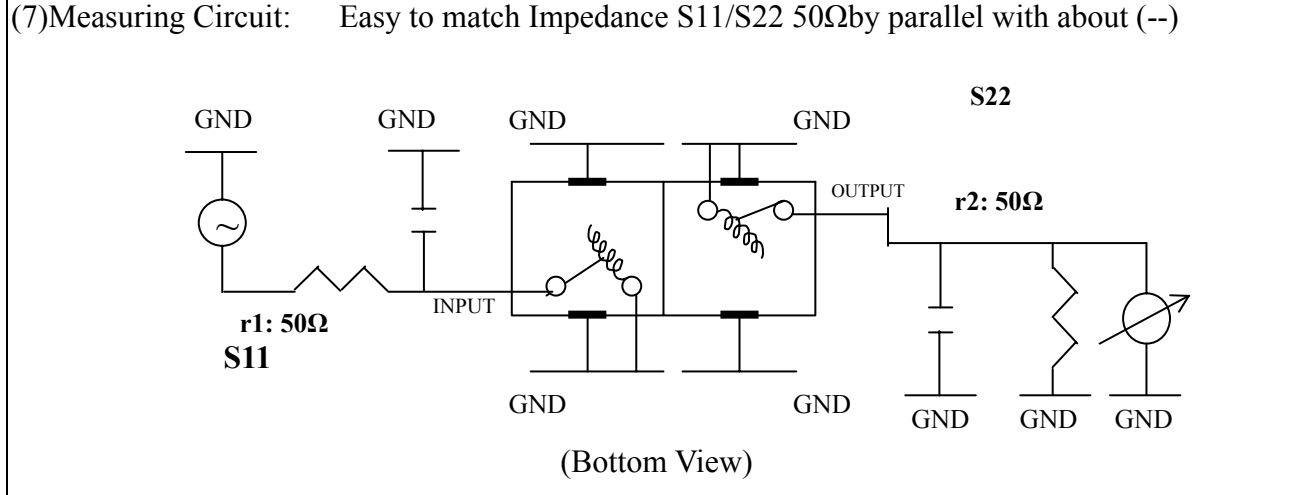


# VHF UHF Helical Filter Specification Sheet

Customer Name		Temwell's Part No.	TD62449B-860M
Approval No. /dated		Temwell's Print Name	62449B 860M
Work Instruction No.	201201052CD	Date	Mar.29.2012



(3) Electric Characteristic		Item	Specify
		Center Freq.(Fo) +/- 0.5 %	860 MHz
		Insertion Loss	Typ. 3.0 dB
		-3 dB Bandwidth	Typ. 20 MHz
Sensitivity (Attenuation)	Fo - 50 MHz	Typ. 20 dBc	
	Fo + 50 MHz	Typ. 20 dBc	
	Fo - ( )MHz	Typ. dBc	
	Fo + ( )MHz	Typ. dBc	
		Return Loss	Min. 12 dB
		Ripple	< 1 dB
		Impedance	In / Out : 50 Ω
(4) Torque for Tuning Screw		>60gf cm	
(5) Temperature Condition:			
		Operating Temperature	0 ~ +60
		Storage Temperature	-20 ~ +70
(6) Input Power		> 1Watt	

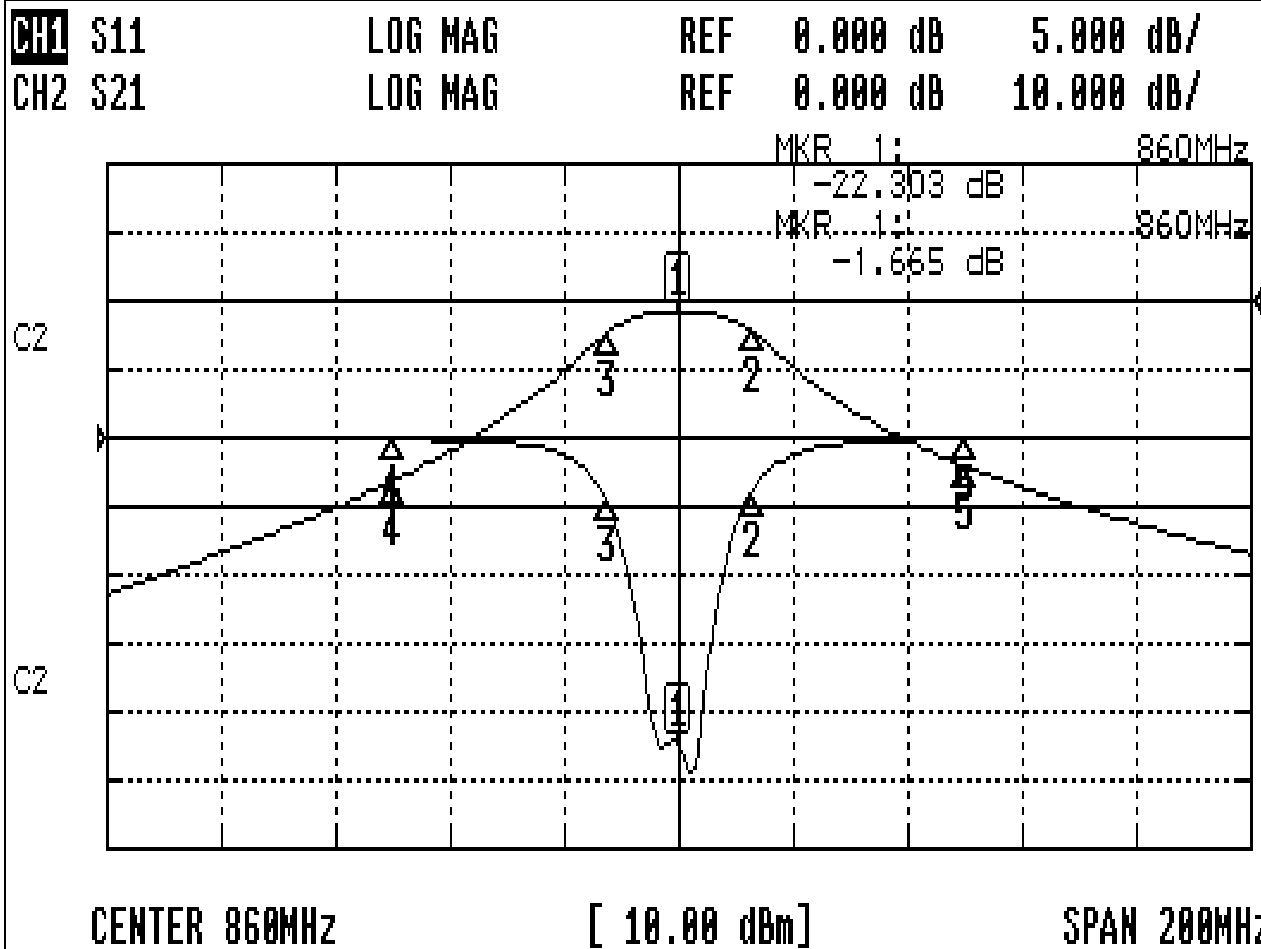


Approval	Supervisor	Designer	Aperture size
C.Y.Chang	C.K.Chang	M.Y.Kang	7H2S(4*4.65)(4.68) 7H046RB4

TEMWELL CORPORATION

# Performance-TD62449B-860M

## 201201052CD



### CH1 MARKER LIST

1:	860.000MHz	-22.303 dB
2:	872.833MHz	-3.880 dB
3:	847.500MHz	-4.684 dB
4:	810.000MHz	-0.100 dB
5:	910.000MHz	-0.068 dB

### CH2 MARKER LIST

1:	860.000MHz	-1.665 dB
2:	872.833MHz	-4.620 dB
3:	847.500MHz	-4.692 dB
4:	810.000MHz	-26.300 dB
5:	910.000MHz	-24.180 dB