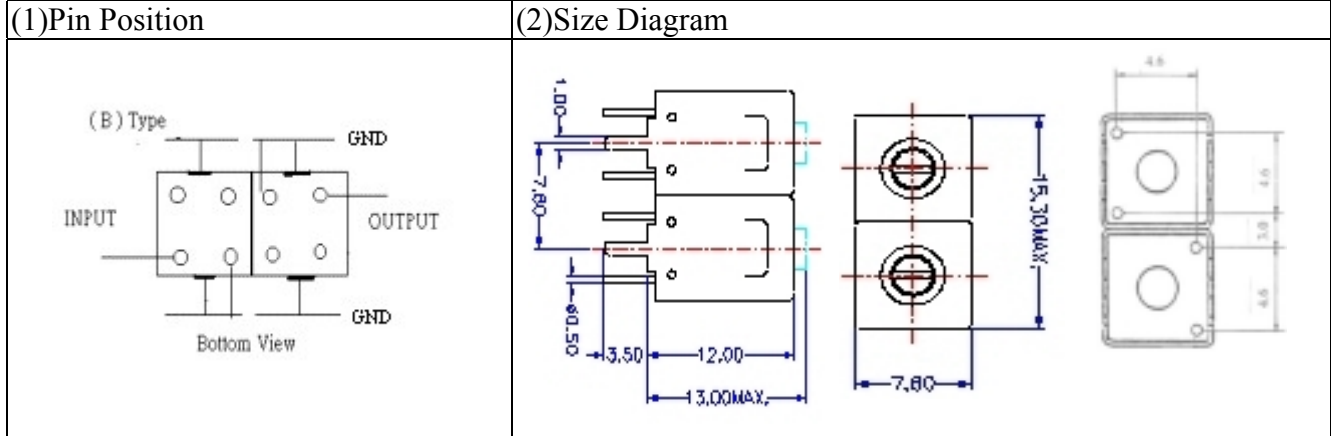


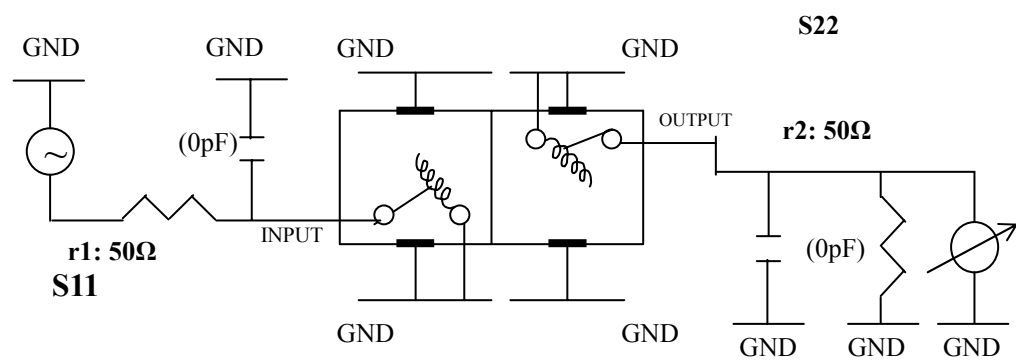
VHF UHF Helical Filter Specification Sheet

Customer Name		Temwell's Part No.	TD6711B2-487M
Approval No. /dated	20410010A	Customer's Part name	6711B2 487M
Work Instruction No.	20410010A	Date	Oct.12.2004



(3) Electric Character	
Item	Specify
Center Freq.(Fo) +/- 0.5 %	487 MHz
Tunable Range: <input checked="" type="checkbox"/> Fo±5MHz <input type="checkbox"/> Fo±10MHz <input type="checkbox"/> Fo±15MHz	487±5 MHz
Insertion Loss	Typ. 3 dB
-1 dB Bandwidth	Typ. 6 MHz
-3 dB Bandwidth	Typ. 13 MHz
Sensitivity (Attenuation)	Fo - 40 MHz Typ. 30 dBc
	Fo + 40 MHz Typ. 22 dBc
	Fo - ()MHz Typ. dBc
	Fo +()MHz Typ. dBc
Return Loss	Min. 12 dB
Ripple	< 1 dB
Impedance	In / Out : 50 Ω
(4) Torque for Tuning Screw	
> 100gf cm	
(5) Temperature Condition:	
Operating Temperature	0 ~ +60
Storage Temperature	-20 ~ +70
(6) Input Power	
> 1Watt	

(7) Measuring Circuit: Easy to match Impedance 50Ω/ by parallel with about (0) pF.



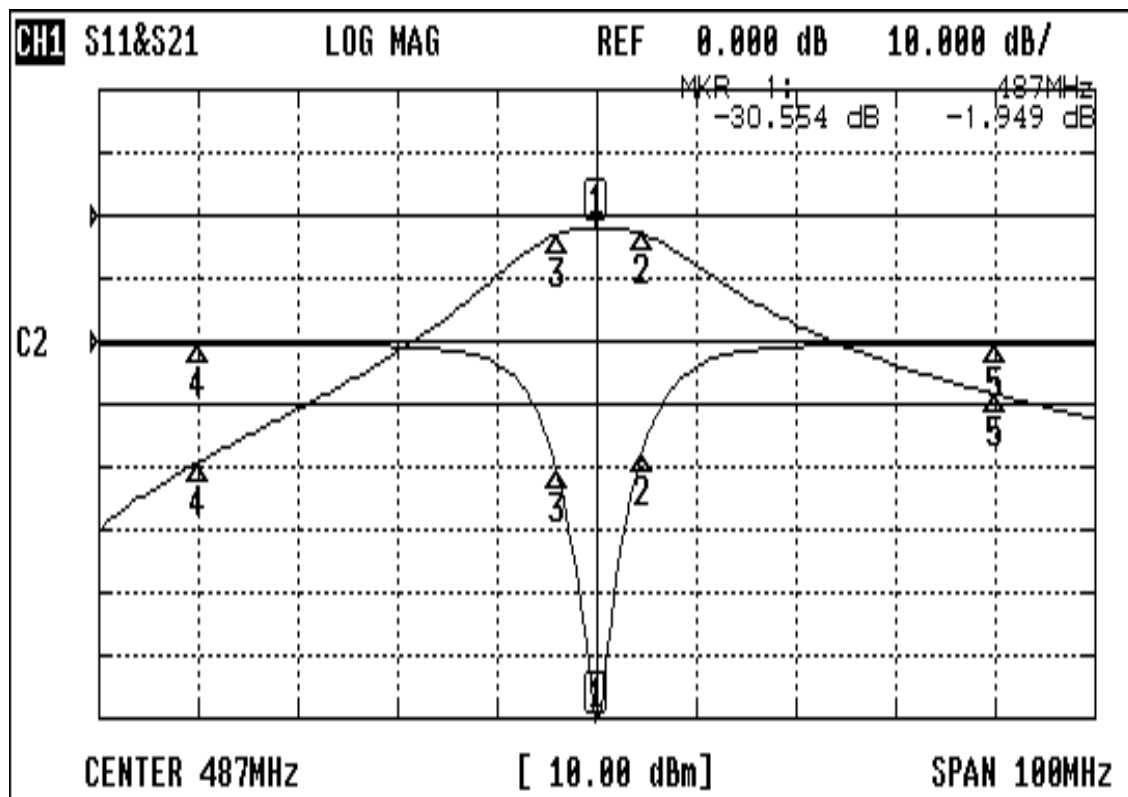
(Bottom View)

Approval	Supervisor	Designer	Aperture size
	C.S.Chang	P.H.Chiang	7H2(4*5.5)(5.60)F 7H046RB4

TEMWELL CORPORATION

Performance- TD6711B2-487M

20410010A



CH1 MARKER LIST

1:	487.000MHz	-30.554 dB	-1.949 dB
2:	491.666MHz	-8.838 dB	-2.949 dB
3:	483.000MHz	-10.161 dB	-2.920 dB
4:	447.000MHz	-0.193 dB	-39.231 dB
5:	527.000MHz	-0.175 dB	-28.444 dB
6:			
7:			
8:			
9:			
10:			