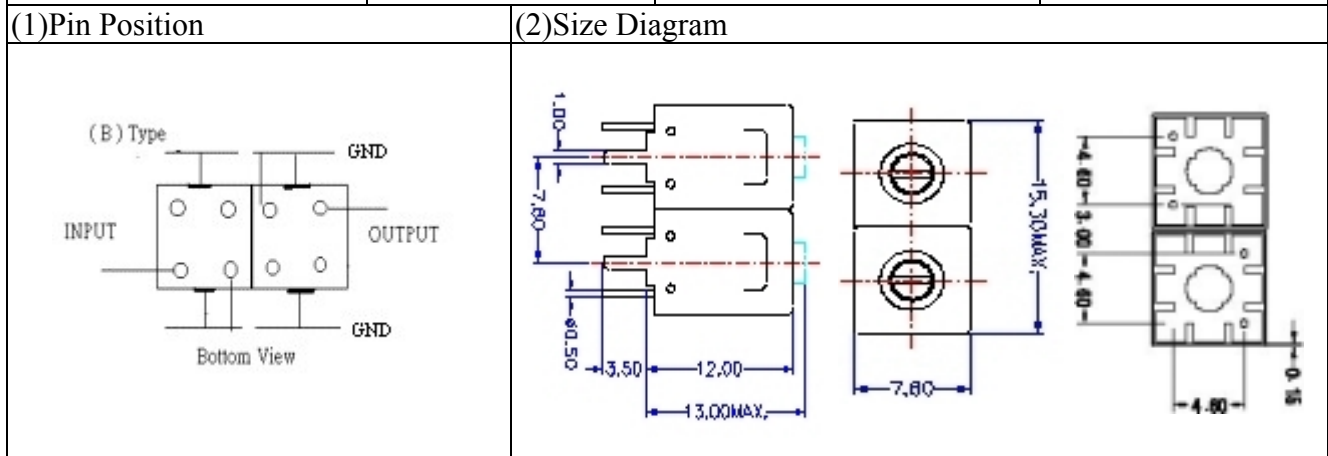


VHF UHF Helical Filter Specification Sheet

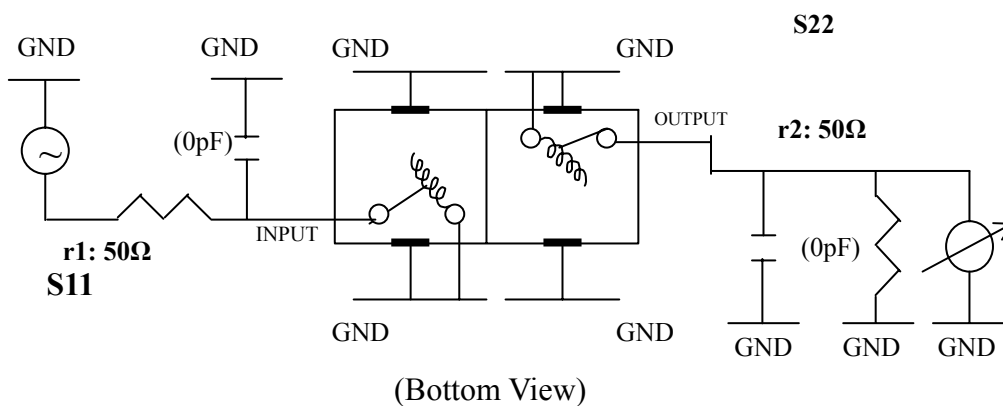
Customer Name		Temwell's Part No.	TD67281B-160M
Approval No. /dated	1001039CD	Temwell's Print No.	67381B 160M
Work Instruction No.	201001039CD	Date	Jan.29.2010



(3) Electric Charasteric

Item	Specify	
Center Freq.(Fo) +/- 0.5 %	160	MHz
Insertion Loss	Typ. 2.0	dB
-3 dB Bandwidth	Typ. 10	MHz
Sensitivity (Attenuation)	Fo - 50 MHz	Typ. 34 dBc
	Fo + 50 MHz	Typ. 33 dBc
	Fo - ()MHz	Typ. dB
	Fo +()MHz	Typ. dB
Return Loss	Min. 12	dB
Ripple	< 1	dB
Impedance	In / Out : 50 Ω	
(4)Torque for Tuning Screw	> 100gf cm	
(5)Temperature Condition:		
Operating Temperature	0 ~ +60	
Storage Temperature	-20 ~ +70	
(6)Input Power	> 1Watt	

(7)Measuring Circuit: Easy to match Impedance S11/S22 50Ω by parallel with about (0) pF.

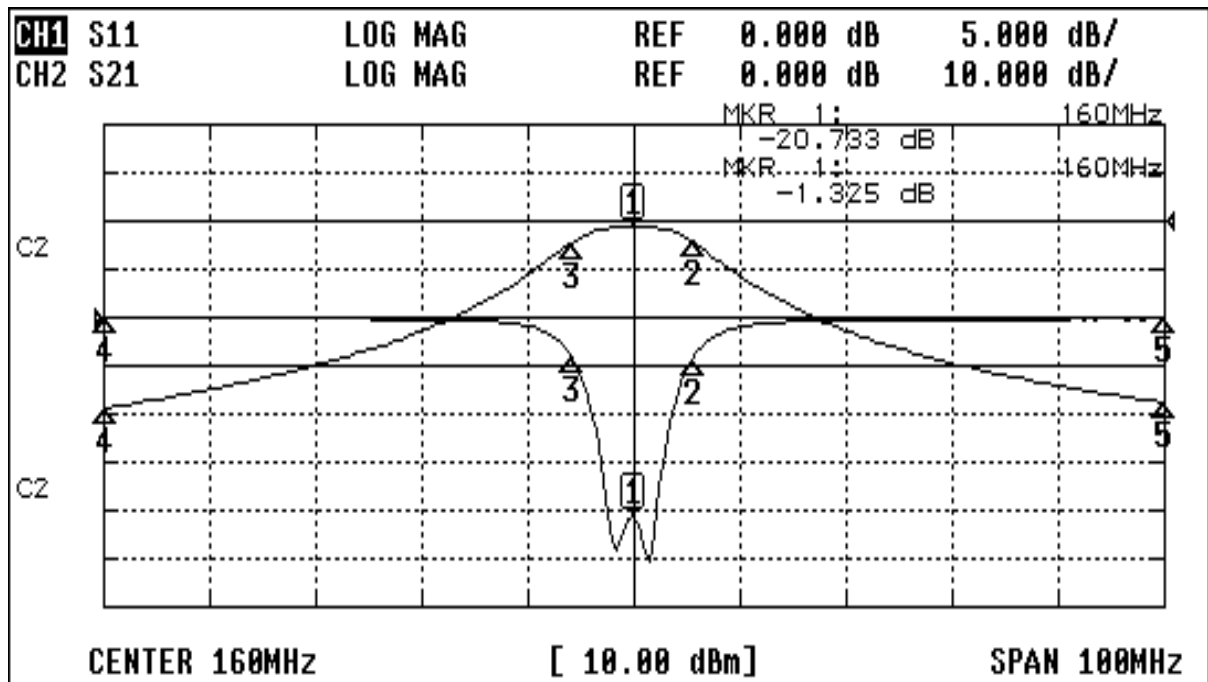


Approval C.Y.Chang	Supervisor C.K.Chang	Designer F.L.Lai	Aperture size 7H2S(4*7.5)(7.55) 7H024RB4
-----------------------	-------------------------	---------------------	--

TEMWELL CORPORATION

Performance-TD67281B-160M

201001039CD



CH1 MARKER LIST		
1:	160.000MHz	-20.733 dB
2:	165.583MHz	-4.254 dB
3:	154.166MHz	-4.017 dB
4:	110.000MHz	-0.107 dB
5:	210.000MHz	-0.141 dB

CH2 MARKER LIST		
1:	160.000MHz	-1.325 dB
2:	165.583MHz	-4.316 dB
3:	154.166MHz	-4.032 dB
4:	110.000MHz	-0.034 dB
5:	210.000MHz	-0.585 dB