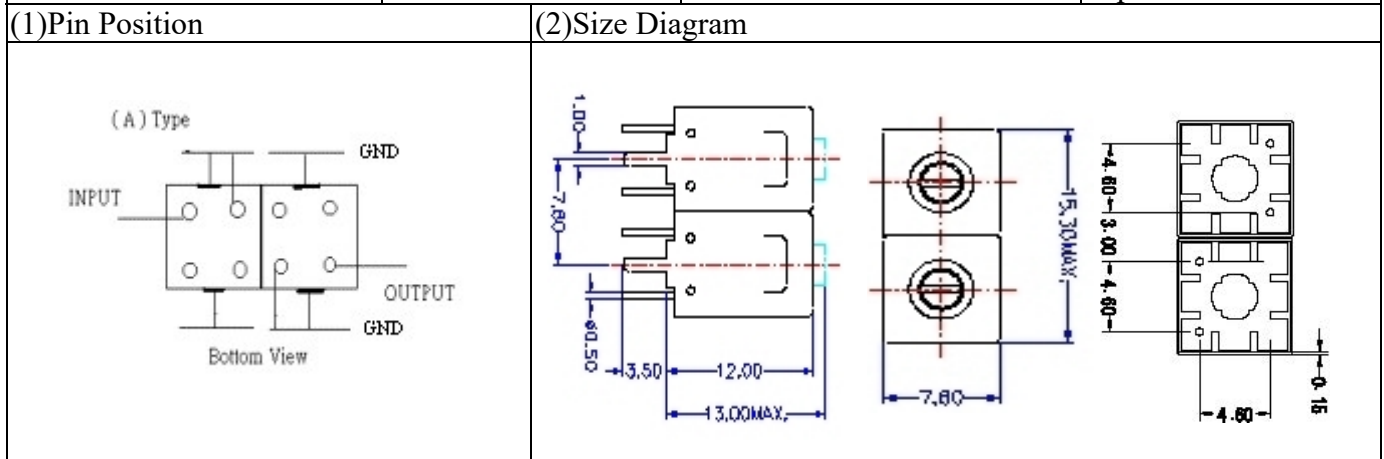
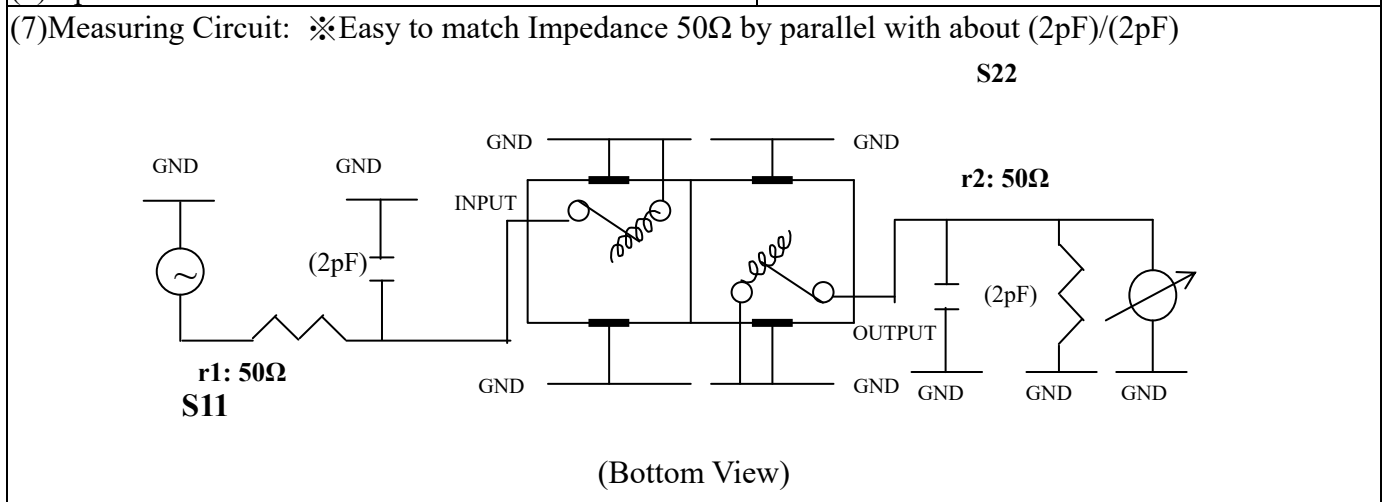


# VHF UHF Helical Filter Specification Sheet

|                      |            |                       |                |
|----------------------|------------|-----------------------|----------------|
| Customer Name        |            | Temwell's Part No.    | TD67282A-168M  |
| Approval No. /dated  |            | Temwell's Print Name. | 67282A<br>168M |
| Work Instruction No. | 201208038A | Date                  | Sep.12.2012    |



| (3) Electric Characteristic  |             | Item                        | Specify         |
|------------------------------|-------------|-----------------------------|-----------------|
|                              |             | Center Freq.(Fo) +/- 0.75 % | 168 MHz         |
|                              |             | Insertion Loss              | Typ. 2.0 dB     |
|                              |             | -3 dB Bandwidth             | Typ. 10 MHz     |
| Sensitivity<br>(Attenuation) | Fo - 50 MHz | Typ. 33 dBc                 |                 |
|                              | Fo + 50 MHz | Typ. 33 dBc                 |                 |
|                              | Fo - ( )MHz | Typ. dBc                    |                 |
|                              | Fo +( )MHz  | Typ. dBc                    |                 |
|                              |             | Return Loss                 | Min. 12 dB      |
|                              |             | Ripple                      | < 1 dB          |
|                              |             | Impedance                   | In / Out : 50 Ω |
| (4) Torque for Tuning Screw  |             | > 100gf · cm                |                 |
| (5) Temperature Condition:   |             |                             |                 |
| Operating Temperature        |             | -30°C ~ +70°C               |                 |
| Storage Temperature          |             | -30°C ~ +80°C               |                 |
| (6) Input Power              |             | > 1 Watt                    |                 |

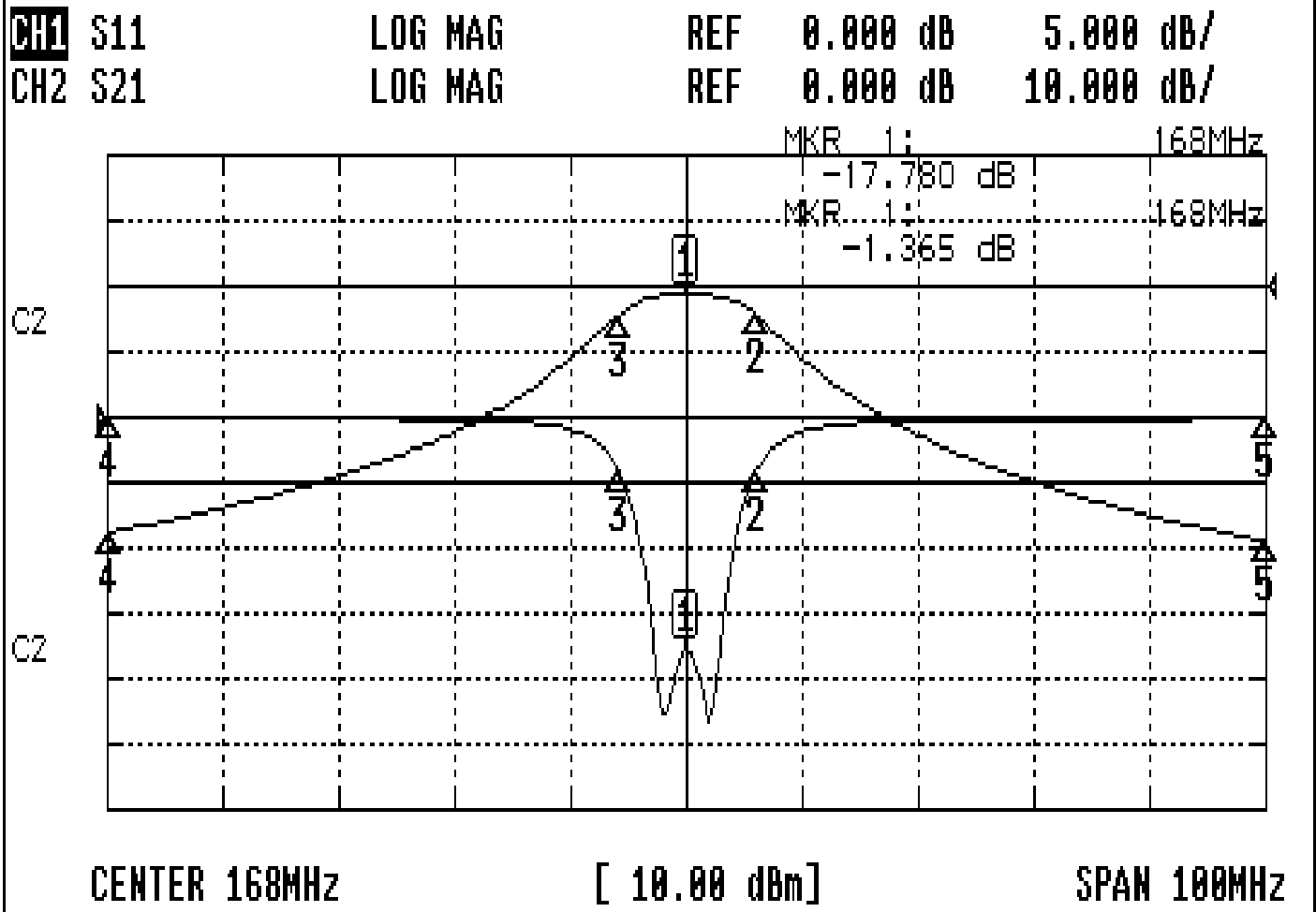


|           |            |            |                                |
|-----------|------------|------------|--------------------------------|
| Approval  | Supervisor | Designer   | Aperture size                  |
| C.Y.Chang | C.K.Chang  | P.H.Chiang | 7H2S(4*7.5)*(5.58)<br>7H024LB4 |

TEMWELL CORPORATION

# Performance-TD67282A-168M

## 201208038A



### CH1 MARKER LIST

|   |            |         |    |
|---|------------|---------|----|
| 1 | 168.000MHz | -17.782 | dB |
| 2 | 174.000MHz | -4.261  | dB |
| 3 | 162.166MHz | -4.038  | dB |
| 4 | 118.000MHz | -0.104  | dB |
| 5 | 218.000MHz | -0.137  | dB |

### CH2 MARKER LIST

|   |            |         |    |
|---|------------|---------|----|
| 1 | 168.000MHz | -1.365  | dB |
| 2 | 174.000MHz | -4.394  | dB |
| 3 | 162.166MHz | -4.397  | dB |
| 4 | 118.000MHz | -37.629 | dB |
| 5 | 218.000MHz | -38.968 | dB |