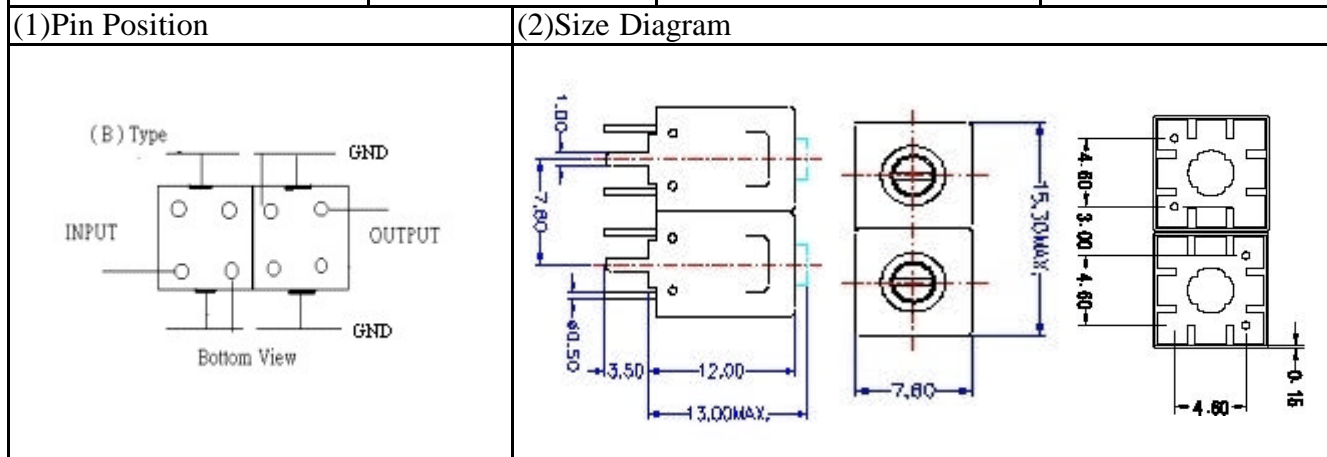


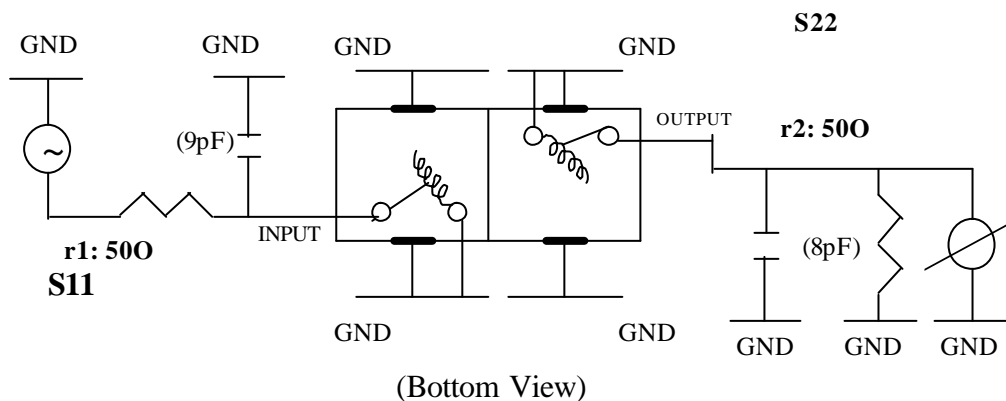
VHF UHF Helical Filter Specification Sheet

Customer Name		Temwell's Part No.	TD6729B-152M
Approval No. /dated	0709022APR	Temwell's Print Name.	6729B 152M
Work Instruction No.	0709022C	Date	Sep.13.2007



(3)Electric Charasteric	
Item	Specify
Center Freq.(Fo) +/- 0.5%	152 MHz
Tunable Range:	152±2 MHz
Insertion Loss	Typ. 3.5 dB
-3 dB Bandwidth	Typ. 4 MHz
Sensitivity (Attenuation)	Fo - 10 MHz Typ. 19 dBc
	Fo + 10 MHz Typ. 22 dBc
	Fo -() MHz Typ. dBc
	Fo +()MHz Typ. dBc
Return Loss	Min. 12 dB
Ripple	< 1 dB
Impedance	In / Out : 50 Ω
(4)Torque for Tuning Screw	>100gf · cm
(5)Temperature Condition:	
Operating Temperature	0 ~ +60
Storage Temperature	-20 ~ +70
(6)Input Power	> 1Watt

(7)Measuring Circuit: Easy to match Impedance 50Ω by parallel with about (9pF.)/(8pF)

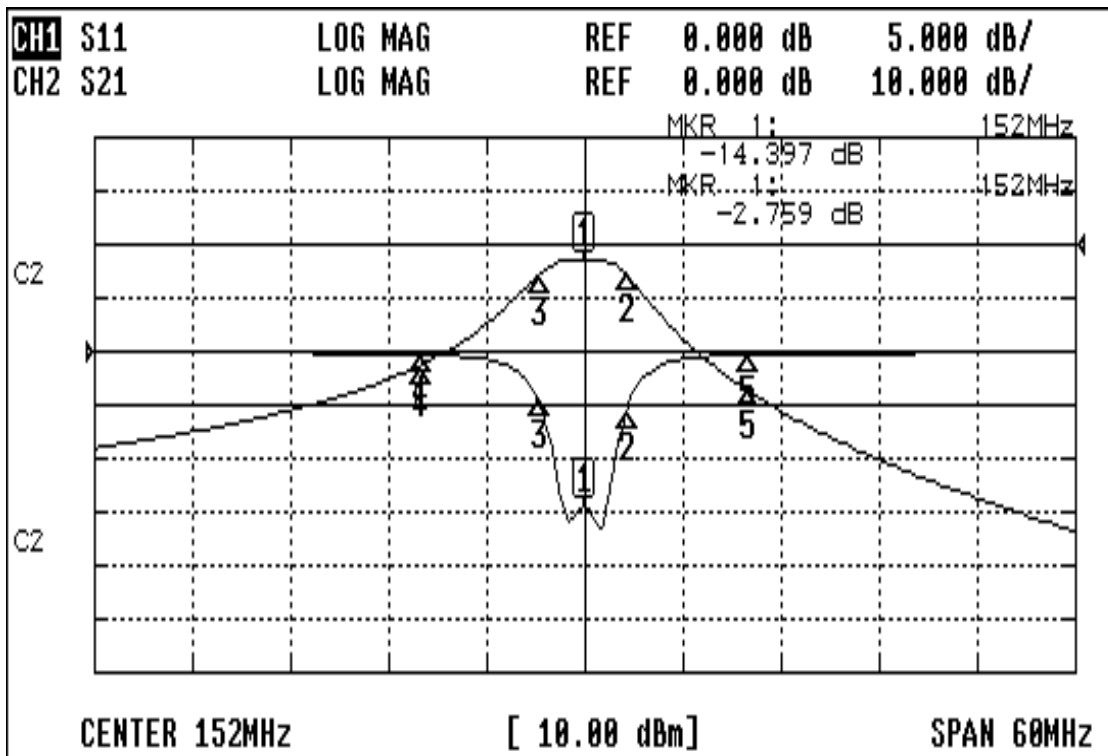


Approval	Supervisor	Designer	Aperture size
C.Y.Chang	C.S.Chang	K.M.Yin	7H2S(4*5.35)F 7H024LB4

TEMWELL CORPORATION

Performance-TD6729B-152M

0709022C



CH1 MARKER LIST

1	152.000MHz	-14.397 dB
2	154.600MHz	-5.431 dB
3	149.200MHz	-4.620 dB
4	142.000MHz	-0.270 dB
5	162.000MHz	-0.282 dB

CH2 MARKER LIST

1	152.000MHz	-2.759 dB
2	154.600MHz	-5.766 dB
3	149.200MHz	-5.729 dB
4	142.000MHz	-22.440 dB
5	162.000MHz	-27.407 dB