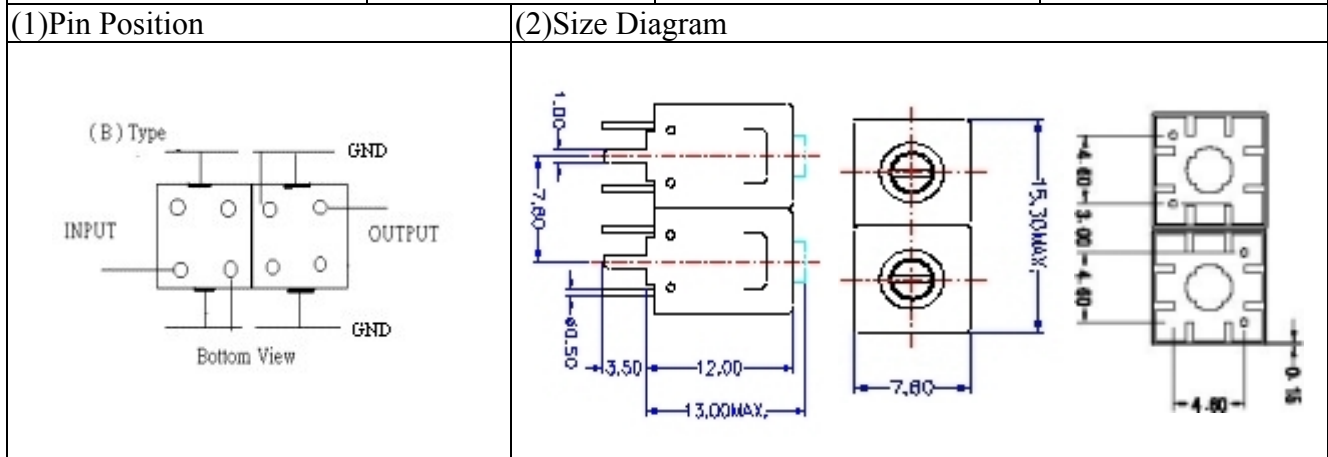


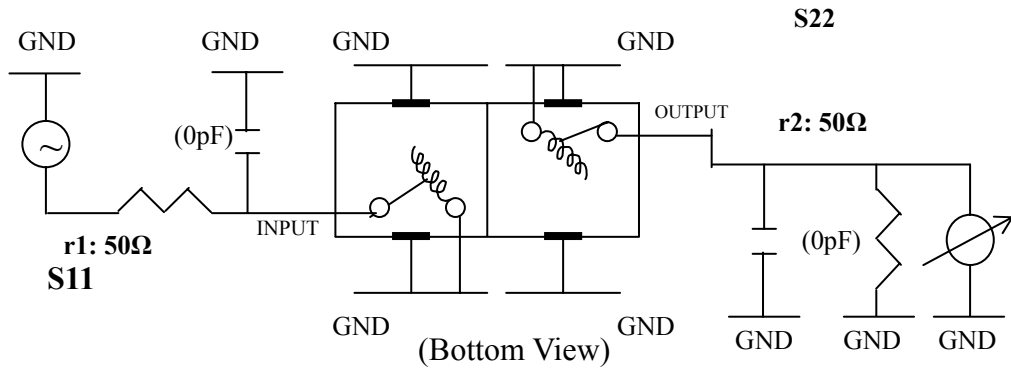
VHF UHF Helical Filter Specification Sheet

Customer Name		Temwell's Part No.	TD6730B-180M
Approval No. /dated	1001132CD	Temwell's Print Name	6730B 180M
Work Instruction No.	201001132CD	Date	Mar.02.2010



(3) Electric Characteristic	
Item	Specify
Center Freq.(Fo) +/- 0.75 %	180 MHz
Insertion Loss	Typ. 2.5 dB
-3 dB Bandwidth	Typ. 6 MHz
Sensitivity (Attenuation)	Fo - 20 MHz Typ. 20 dBc
	Fo + 20 MHz Typ. 25 dB
	Fo - ()MHz Typ. dB
	Fo +()MHz Typ. dB
Return Loss	Min. 12 dB
Ripple	< 1 dB
Impedance	In / Out : 50 Ω
(4) Torque for Tuning Screw	> 100gf cm
(5) Temperature Condition:	
Operating Temperature	-30 ~ +70
Storage Temperature	-30 ~ +80
(6) Input Power	> 1Watt

(7) Measuring Circuit: Easy to match Impedance S11/S22 50Ω/ by parallel with about (0) pF.



Approval C.Y.Chang	Supervisor C.K.Chang	Designer P.H.Chiang	Aperture size 7H2S(4*5.5F)(5.55) 7H024LB4
-----------------------	-------------------------	------------------------	---

TEMWELL CORPORATION

Performance-TD6730B-180M

201001132CD

