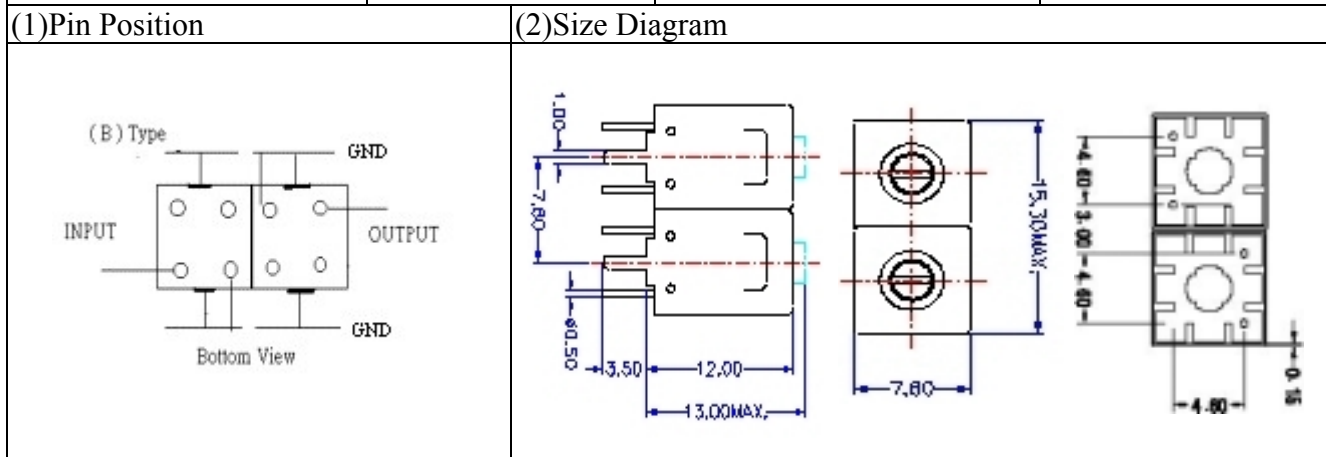


# VHF UHF Helical Filter Specification Sheet

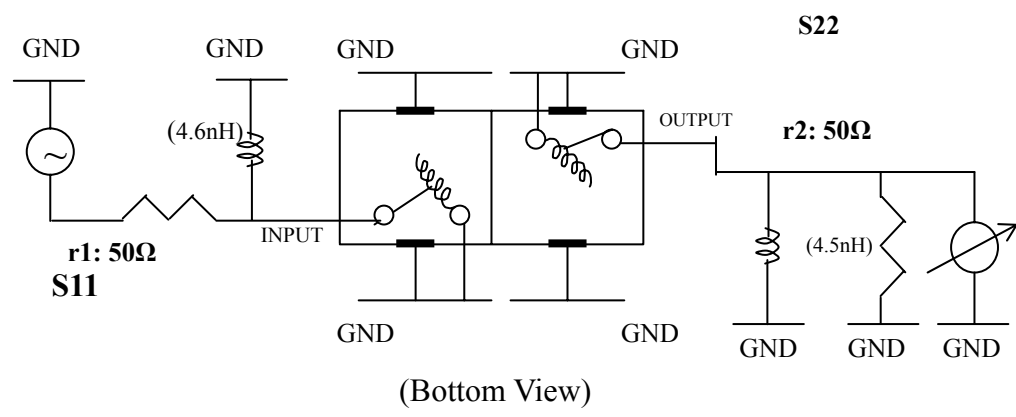
Customer Name		Temwell's Part No.	TD6738B-307M
Approval No. /dated	0710092APR	Temwell's Print Name.	6738B 307M
Work Instruction No.	0710092C	Date	Nov.09.2007



(3) Electric Characteristic	
Item	Specify
Center Freq.(Fo) +/- 0.5%	307 MHz
Tunable Range:	307±8 MHz
Insertion Loss	Typ. 2.5 dB
-3 dB Bandwidth	Typ. 8 MHz
Sensitivity (Attenuation)	Fo - 43 MHz    Typ. 24 dBc
	Fo + 36 MHz    Typ. 33 dBc
	Fo -( 50 ) MHz    Typ. 26 dBc
	Fo +( 50 )MHz    Typ. 42 dBc
Return Loss	Min. 12 dB
Ripple	< 1 dB
Impedance	In / Out : 50 Ω

(4) Torque for Tuning Screw	
(5) Temperature Condition:	
Operating Temperature	0 ~ +60
Storage Temperature	-20 ~ +70
(6) Input Power	> 1 Watt

(7) Measuring Circuit: Easy to match Impedance 50Ω by parallel with about (4.6nH)/(4.5nH).

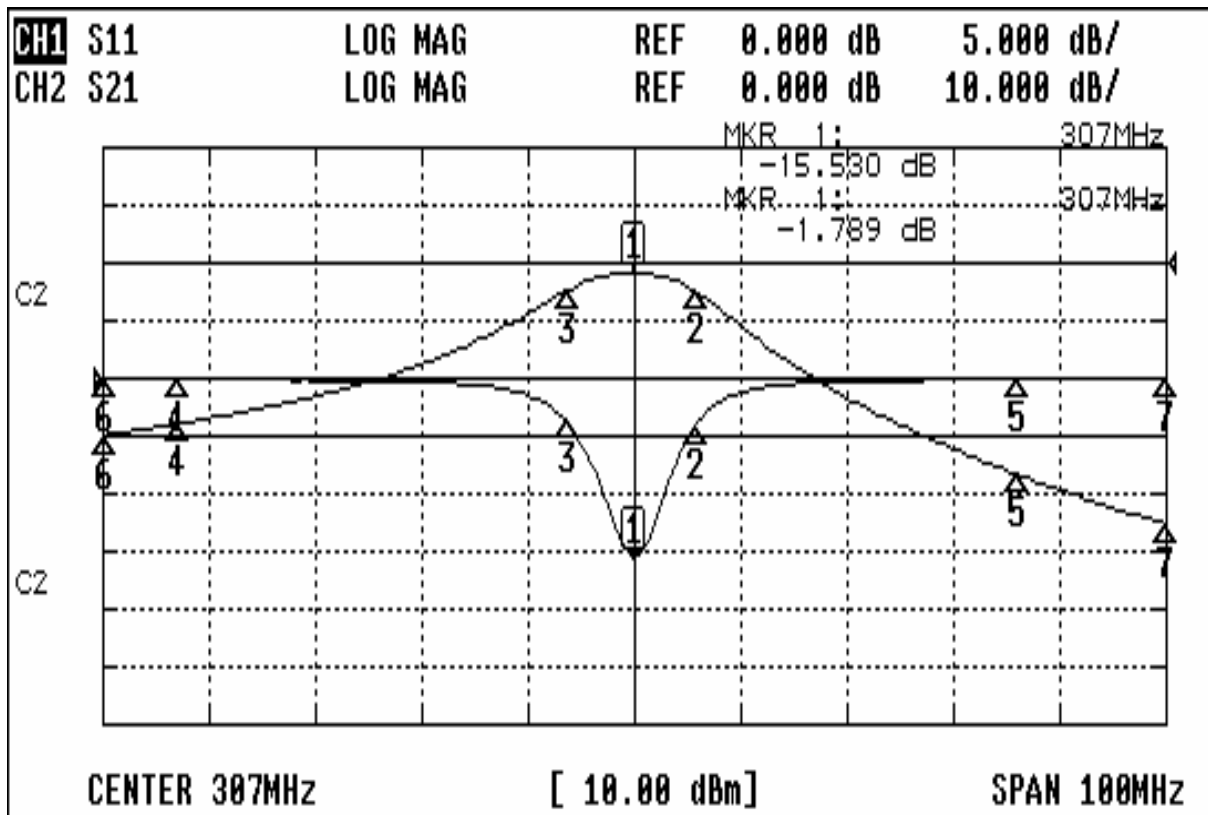


Approval C.Y.Chang	Supervisor C.S.Chang	Designer P.H.Chiang	Aperture size 7H2(4*5.5)F
-----------------------	-------------------------	------------------------	------------------------------

TEMWELL CORPORATION

# Performance-TD6738B-307M

## 0710092C



### CH1 MARKER LIST

1:	307.000MHz	-15.530 dB
2:	312.750MHz	-4.190 dB
3:	300.666MHz	-3.785 dB
4:	264.000MHz	-0.104 dB
5:	343.000MHz	-0.106 dB
6:	257.000MHz	-0.087 dB
7:	357.000MHz	-0.089 dB
8:		
9:		
10:		

### CH2 MARKER LIST

1:	307.000MHz	-1.789 dB
2:	312.750MHz	-4.775 dB
3:	300.666MHz	-4.791 dB
4:	264.000MHz	-27.887 dB
5:	343.000MHz	-36.603 dB
6:	257.000MHz	-29.831 dB
7:	357.000MHz	-45.186 dB
8:		
9:		
10:		