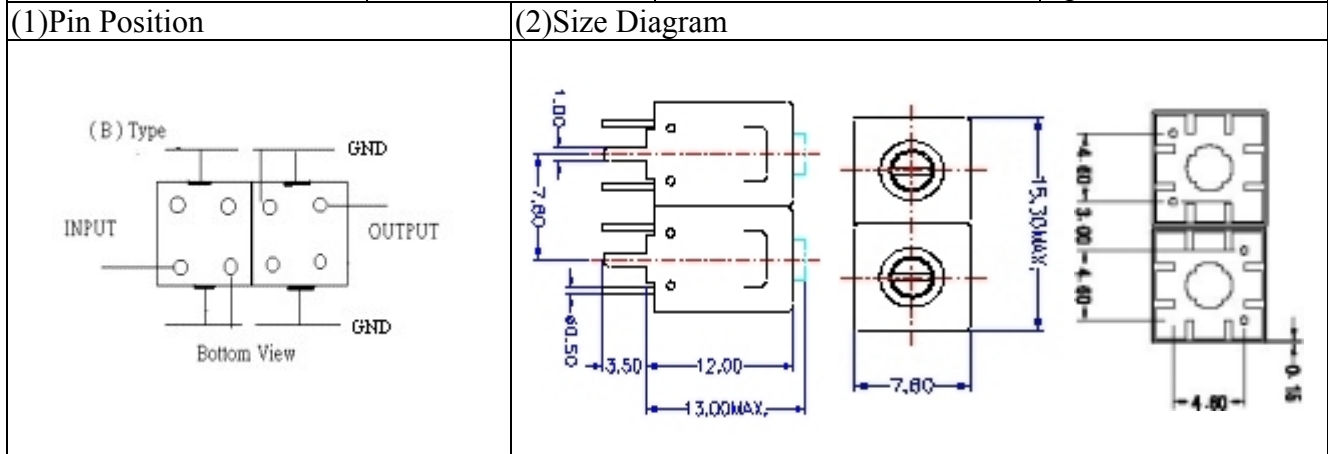


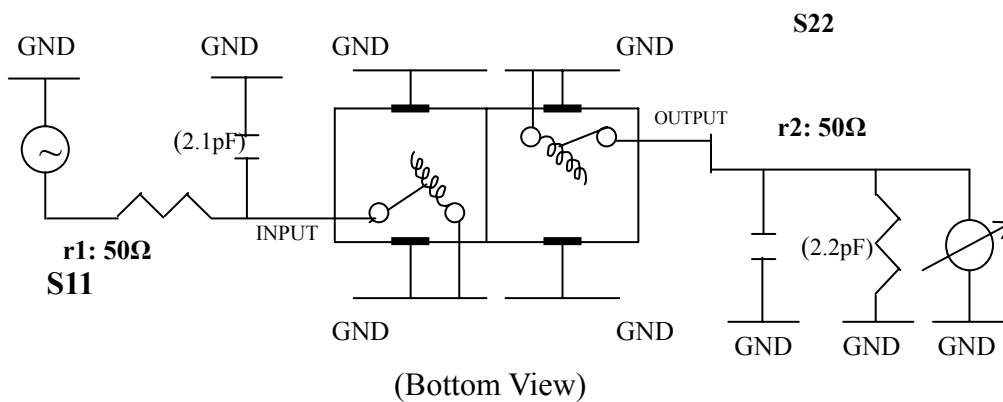
# VHF UHF Helical Filter Specification Sheet

Customer Name		Temwell's Part No.	TD6740B-315M
Approval No. /dated	0801073APR	Customer's Part No.	6740B 315M
Work Instruction No.	0801073CD	Date	Apr.15.2008



(3)Electric Charasteric	
Item	Specify
Center Freq.(Fo) +/- 0.5 %	315 MHz
Insertion Loss	Typ. 4 dB
-3 dB Bandwidth	Typ. 5 MHz
Sensitivity (Attenuation)	Fo - 50 MHz Typ. 45 dBc
	Fo + 50 MHz Typ. 34 dBc
	Fo - ( )MHz Typ. dBc
	Fo +( )MHz Typ. dBc
Return Loss	Min. 12 dB
Ripple	< 1 dB
Impedance	In / Out : 50 Ω
(4)Torque for Tuning Screw	> 100gf cm
(5)Temperature Condition:	
Operating Temperature	0 ~ +60
Storage Temperature	-20 ~ +70
(6)Input Power	> 1Watt

(7)Measuring Circuit: Easy to match Impedance S11/S22 50Ω by parallel with about(2.1pF)/(2.2pF).

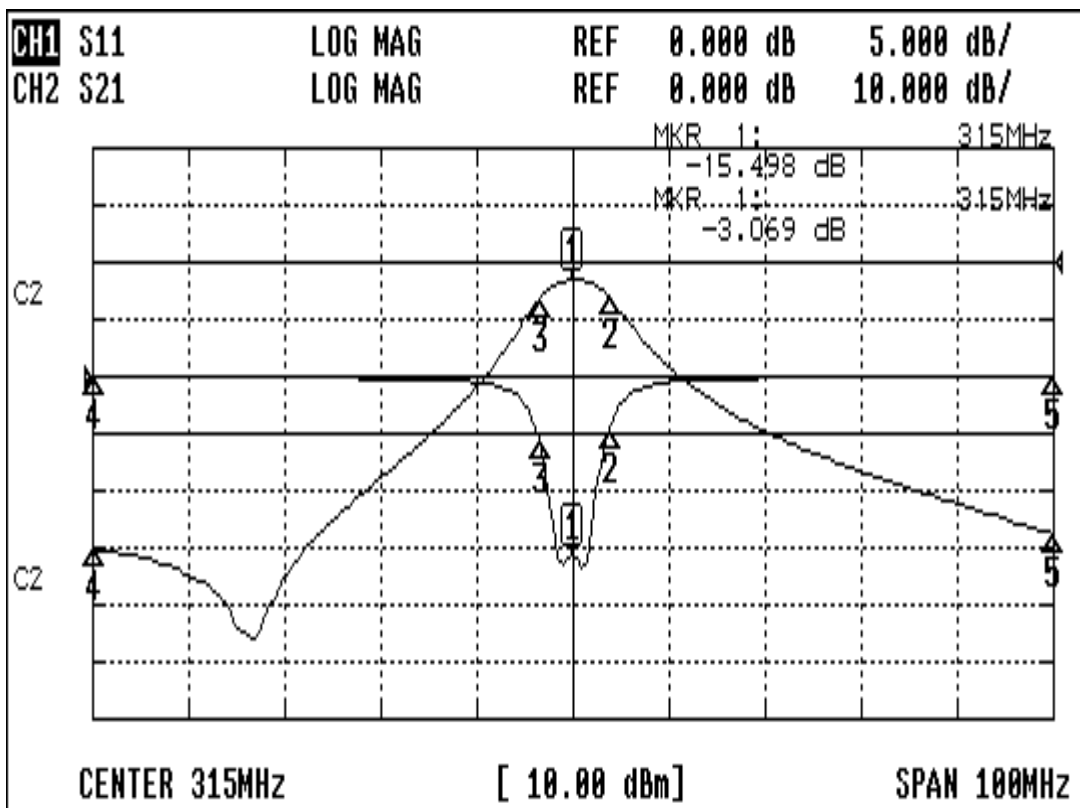


Approval C.Y.Chang	Supervisor C.S.Chang	Designer Y.H.Chuan	Aperture size 7H2(4*5.5F)*(4.0B) 7H046RB4
-----------------------	-------------------------	-----------------------	---

TEMWELL CORPORATION

# Performance-TD6740B-315M

## 0801073CD



### CH1 MARKER LIST

1:	315.000MHz	-15.498 dB
2:	318.833MHz	-4.650 dB
3:	311.583MHz	-5.668 dB
4:	265.000MHz	-0.084 dB
5:	365.000MHz	-0.075 dB
6:		
7:		
8:		
9:		
10:		

### CH2 MARKER LIST

1:	315.000MHz	-3.069 dB
2:	318.833MHz	-6.064 dB
3:	311.583MHz	-6.178 dB
4:	265.000MHz	-50.168 dB
5:	365.000MHz	-47.626 dB
6:		
7:		
8:		
9:		
10:		