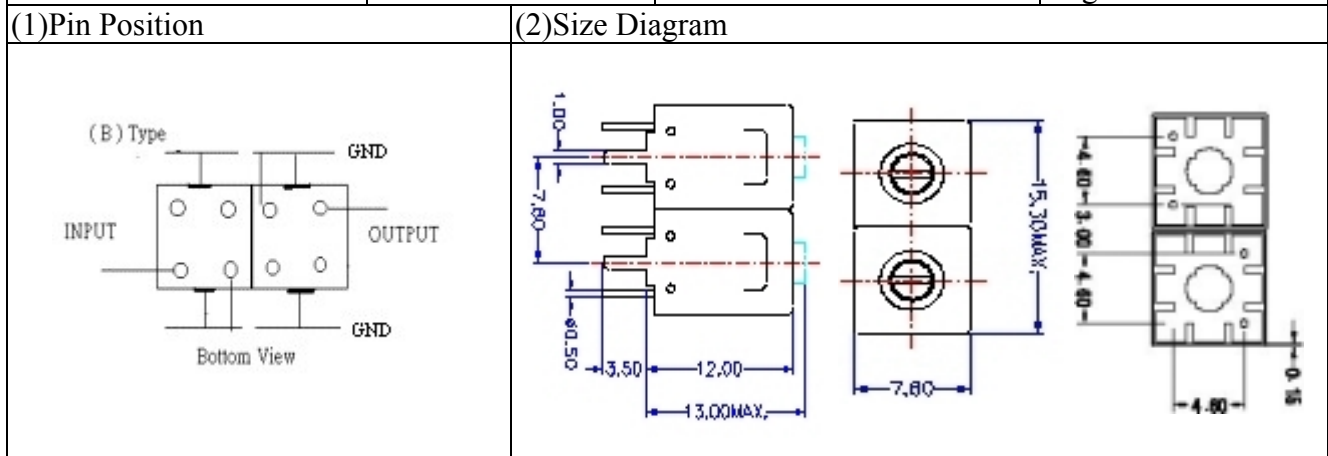


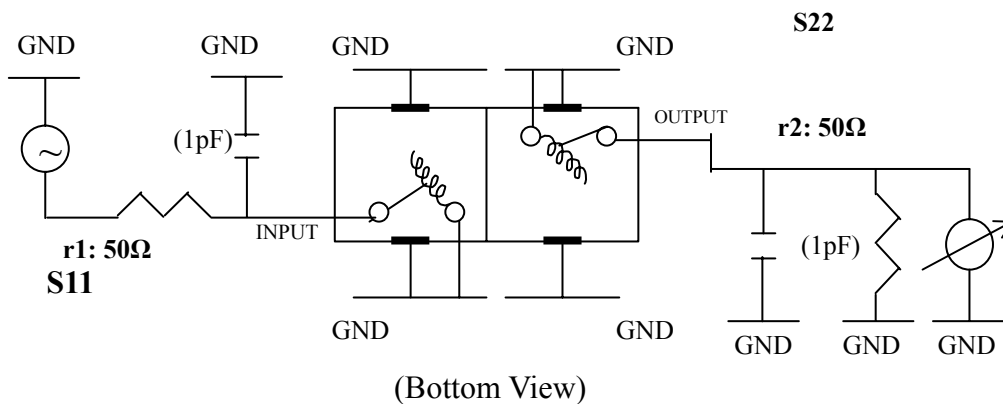
VHF UHF Helical Filter Specification Sheet

Customer Name		Temwell's Part No.	TD6740B-325M
Approval No. /dated	0907003C	Customer's Part No.	6740B 325M
Work Instruction No.	200907003C	Date	Aug.03.2009



(3) Electric Charasteric	
Item	Specify
Center Freq.(Fo) +/- 0.5 %	325 MHz
Insertion Loss	Typ. 4 dB
-3 dB Bandwidth	Typ. 5 MHz
Sensitivity (Attenuation)	Fo - 37 MHz Typ. 45 dBc
	Fo + 43 MHz Typ. 32 dBc
	Fo - ()MHz Typ. dBc
	Fo +()MHz Typ. dBc
Return Loss	Min. 12 dB
Ripple	< 1 dB
Impedance	In / Out : 50 Ω
(4) Torque for Tuning Screw > 100gf cm	
(5) Temperature Condition:	
Operating Temperature	0 ~ +60
Storage Temperature	-20 ~ +70
(6) Input Power > 1Watt	

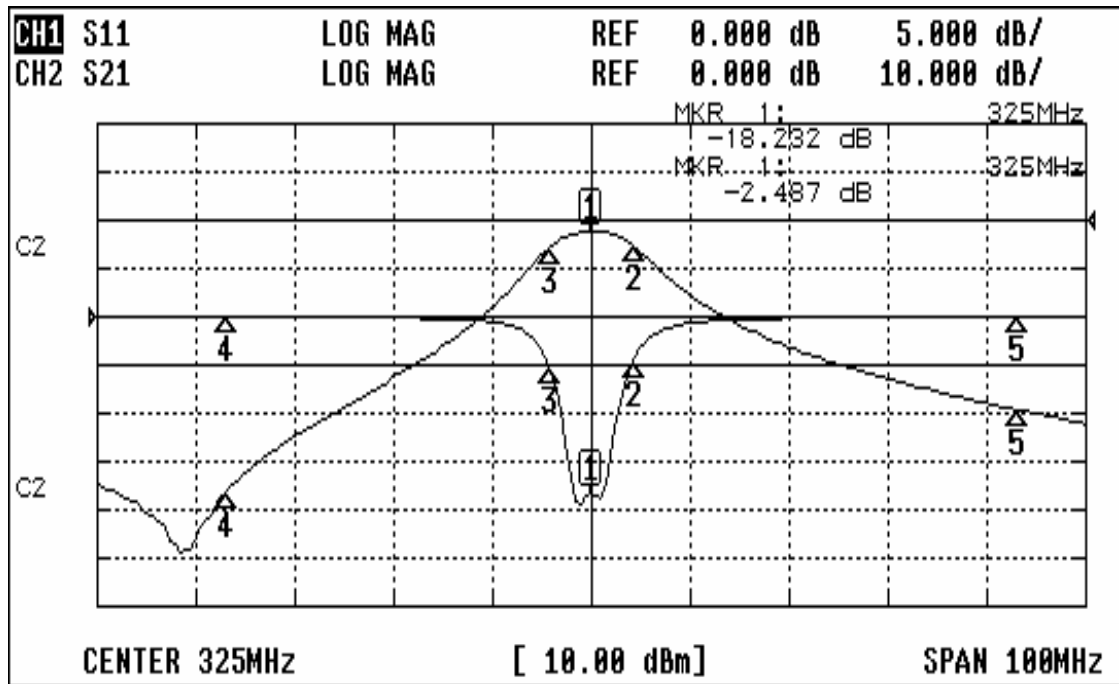
(7) Measuring Circuit: Easy to match Impedance 50Ω by parallel with about (1pF)/(1pF).



Approval C.Y.Chang	Supervisor C.K.Chang	Designer W.S.Chen	Aperture size 7H2S(4*5.35)(5.36) 7H046RB4
TEMWELL CORPORATION			

Performance-TD6740B-325M

200907003C



CH1 MARKER LIST		
1	325.000000MHz	-18.232 dB
2	329.333333MHz	-4.428 dB
3	320.916667MHz	-4.454 dB
4	308.000000MHz	-0.679 dB
5	368.000000MHz	-0.033 dB

CH2 MARKER LIST		
1	325.000000MHz	-2.487 dB
2	329.333333MHz	-4.428 dB
3	320.916667MHz	-4.454 dB
4	308.000000MHz	-0.679 dB
5	368.000000MHz	-0.162 dB