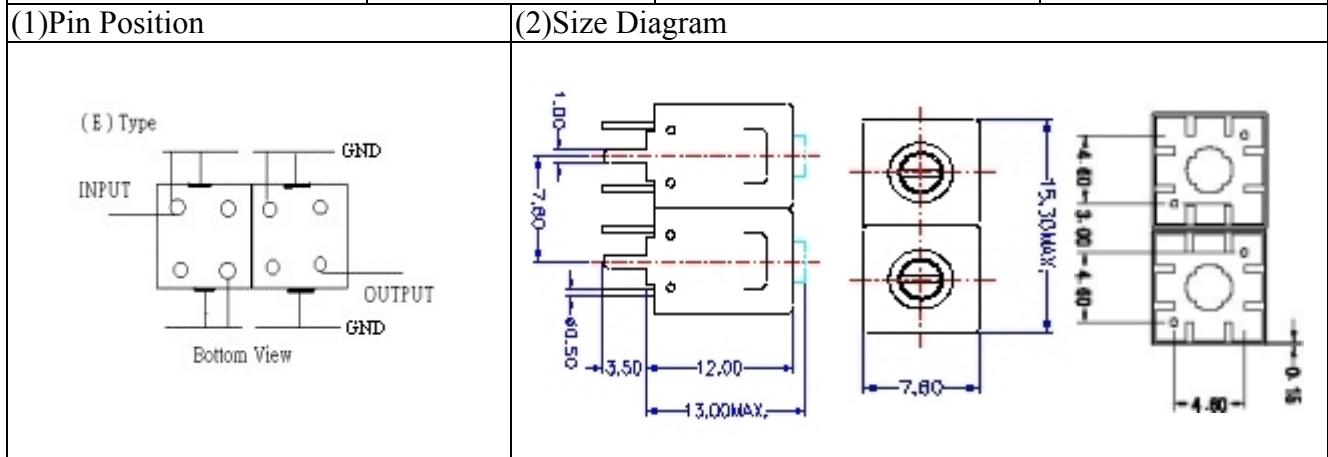
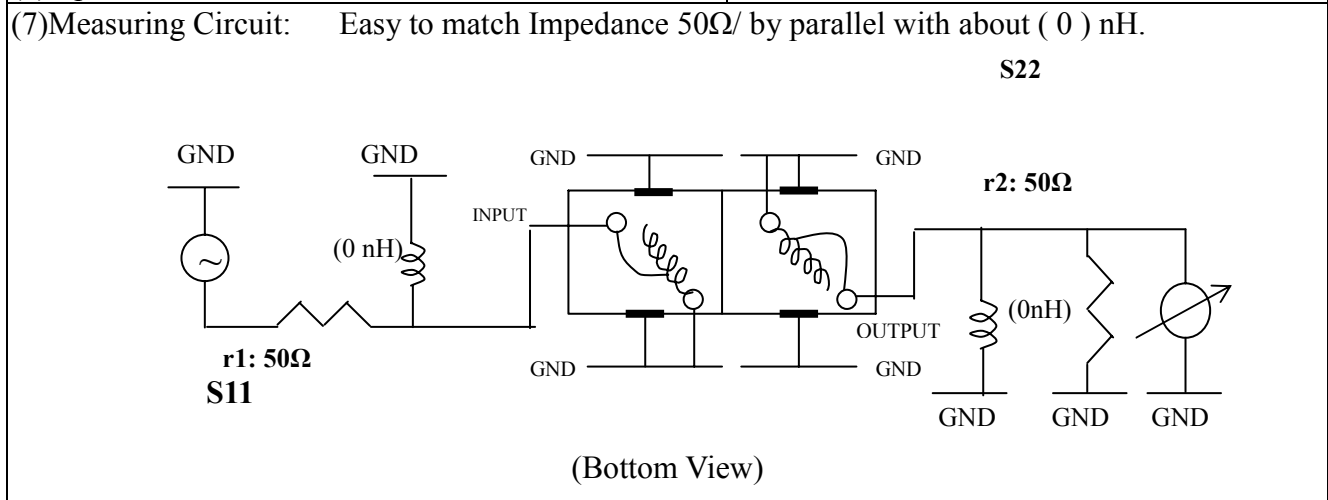


VHF UHF Helical Filter Specification Sheet

Customer Name		Temwell's Part No.	TD6740E2-380M
Approval No. /dated	0710085APR	Customer's Print Name.	6740E2 380M
Work Instruction No.	0710085A	Date	Oct.29.2007



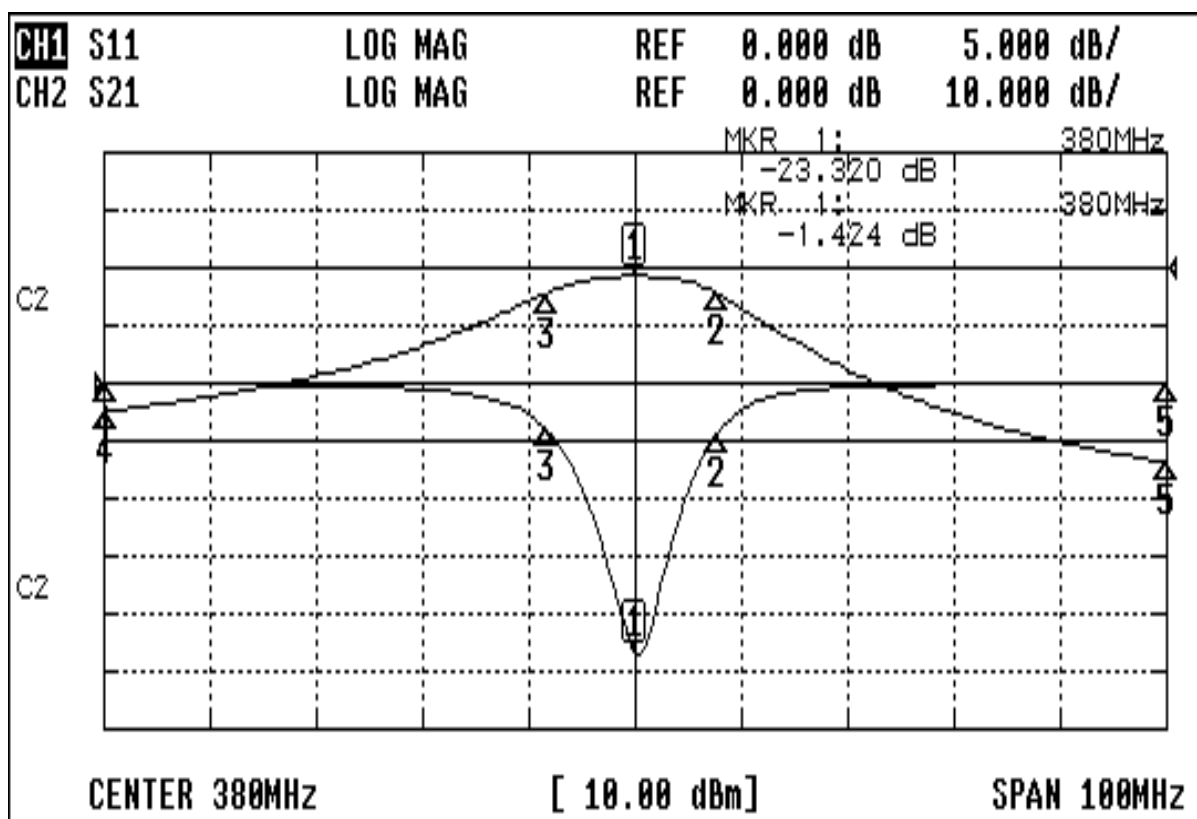
(3)Electric Charasteric	
Item	Specify
Center Freq.(Fo) +/- 0.5 %	380 MHz
Tunable Range:	380±4 MHz
Insertion Loss	Typ. 2.5 dB
-3 dB Bandwidth	Typ. 14 MHz
Sensitivity (Attenuation)	Fo - 50 MHz Typ. 20 dBc
	Fo + 50 MHz Typ. 29 dBc
	Fo - ()MHz Typ. dBc
	Fo +()MHz Typ. dBc
Return Loss	Min. 12 dB
Ripple	< 1 dB
Impedance	In / Out : 50 Ω
(4)Torque for Tuning Screw	> 100gf cm
(5)Temperature Condition:	
Operating Temperature	0 ~ +60
Storage Temperature	-20 ~ +70
(6)Input Power	> 1Watt



Approval	Supervisor	Designer	Aperture size
C.Y.Chang	C.S.Chang	P.H.Chiang	7H2(4*5.5)F 7H046LB4 聚 3
TEMWELL CORPORATION			

Performance-TD6740E2-380M

0710085C



CH1 MARKER LIST

1:	380.000MHz	-23.320 dB
2:	387.750MHz	-4.425 dB
3:	371.500MHz	-3.817 dB
4:	330.000MHz	-0.071 dB
5:	430.000MHz	-0.054 dB
6:		
7:		
8:		
9:		
10:		

CH2 MARKER LIST

1:	380.000MHz	-1.424 dB
2:	387.750MHz	-4.369 dB
3:	371.500MHz	-4.473 dB
4:	330.000MHz	-24.873 dB
5:	430.000MHz	-33.687 dB
6:		
7:		
8:		
9:		
10:		