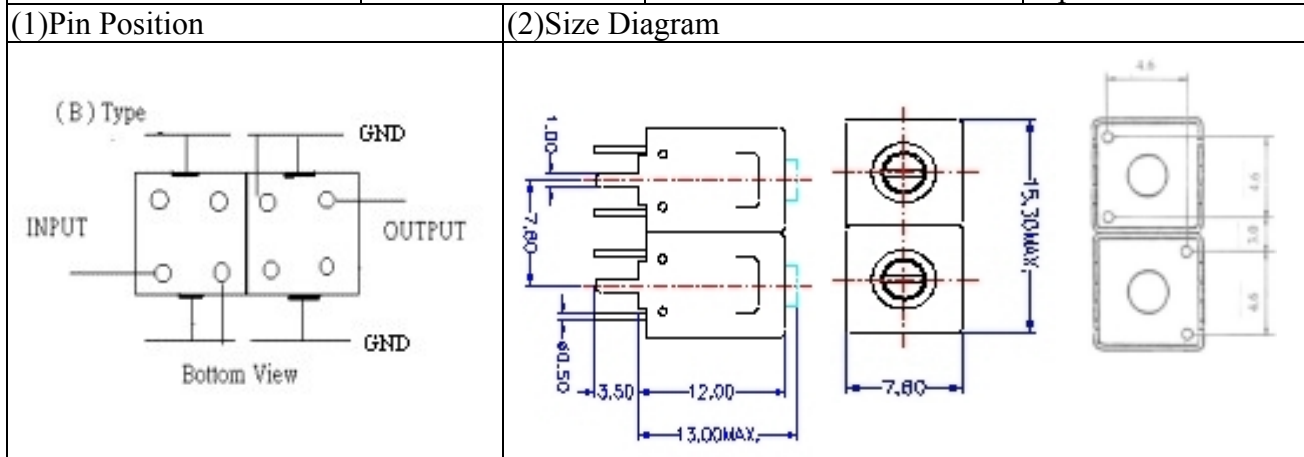
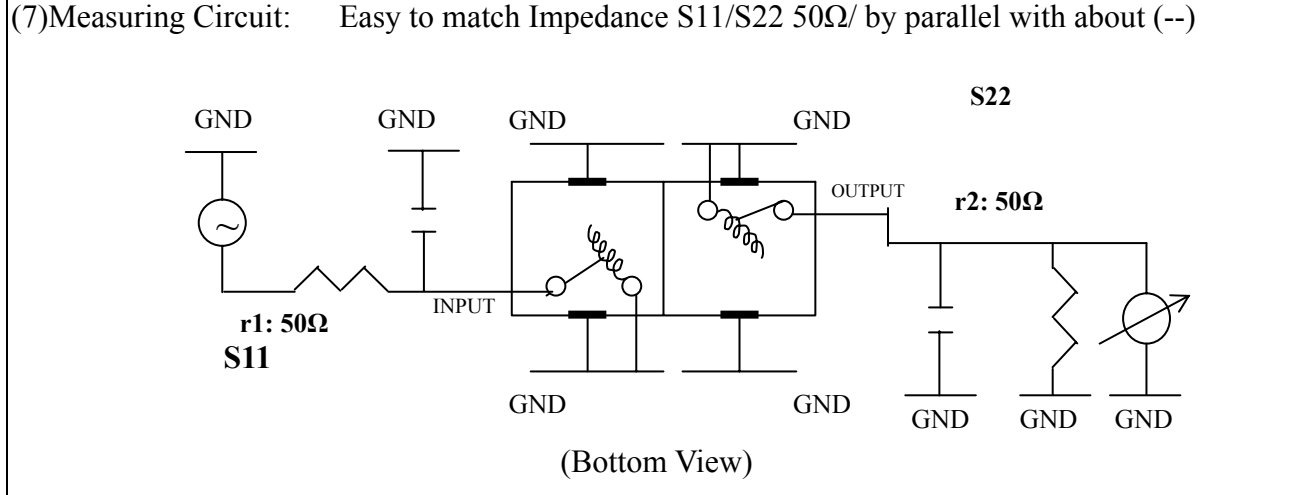


VHF UHF Helical Filter Specification Sheet

Customer Name		Temwell's Part No.	TD67410B-435M
Approval No. /dated	201107073CD	Temwell's Print Name	67410B 435M
Work Instruction No.	201107073CD	Date	Sep.29.2011



(3) Electric Characteristic	
Item	Specify
Center Freq.(Fo) +/- 0.5 %	435 MHz
Insertion Loss	Typ. 1.5 dB
-3 dB Bandwidth	Typ. 31 MHz
Sensitivity (Attenuation)	Fo - 100 MHz Typ. 22 dBc
	Fo + 100 MHz Typ. 29 dBc
	Fo - ()MHz Typ. dBc
	Fo + ()MHz Typ. dBc
Return Loss	Min. 12 dB
Ripple	< 1 dB
Impedance	In / Out : 50 Ω
(4) Torque for Tuning Screw	> 60gf cm
(5) Temperature Condition:	
Operating Temperature	0 ~ +60
Storage Temperature	-20 ~ +70
(6) Input Power	> 1Watt

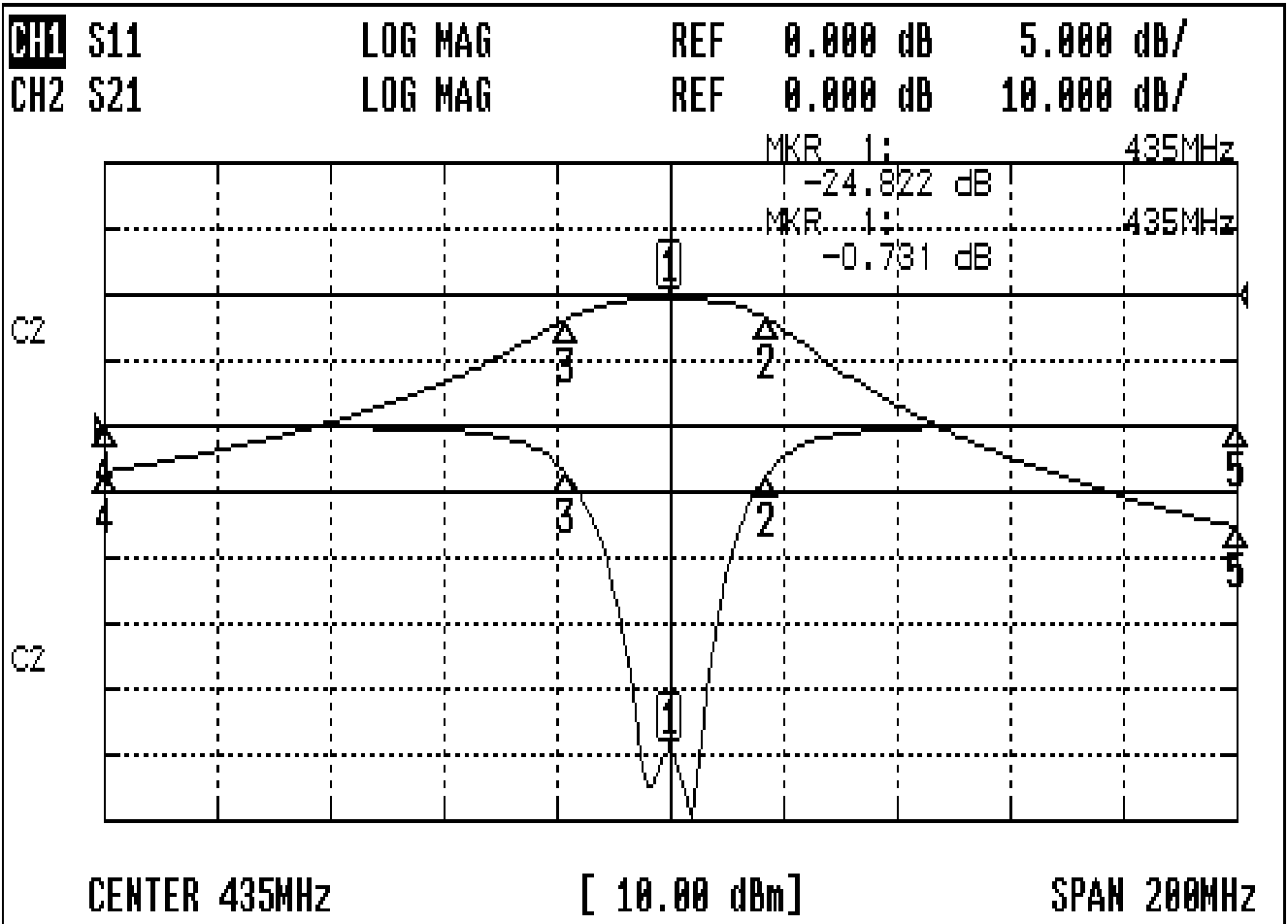


Approval	Supervisor	Designer	Aperture size
C.Y.Chang	C.K.Chang	M.Y.Kang	7H2S(4*6.5)(6.55) 7H046LB5

TEMWELL CORPORATION

Performance-TD67410B-435M

201107073CD



CH1 MARKER LIST

1:	435.000MHz	-24.822 dB
2:	452.166MHz	-13.597 dB
3:	416.666MHz	-13.665 dB
4:	335.000MHz	-10.025 dB
5:	535.000MHz	0.078 dB

CH2 MARKER LIST

1:	435.000MHz	-0.727 dB
2:	452.166MHz	-3.758 dB
3:	416.666MHz	-3.721 dB
4:	335.000MHz	-26.990 dB
5:	535.000MHz	-35.361 dB