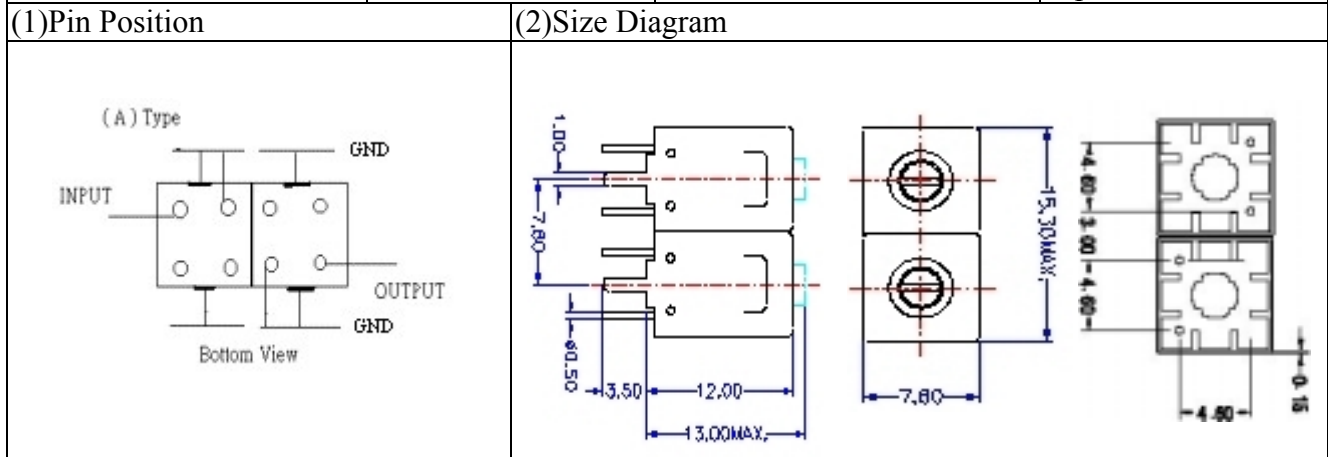
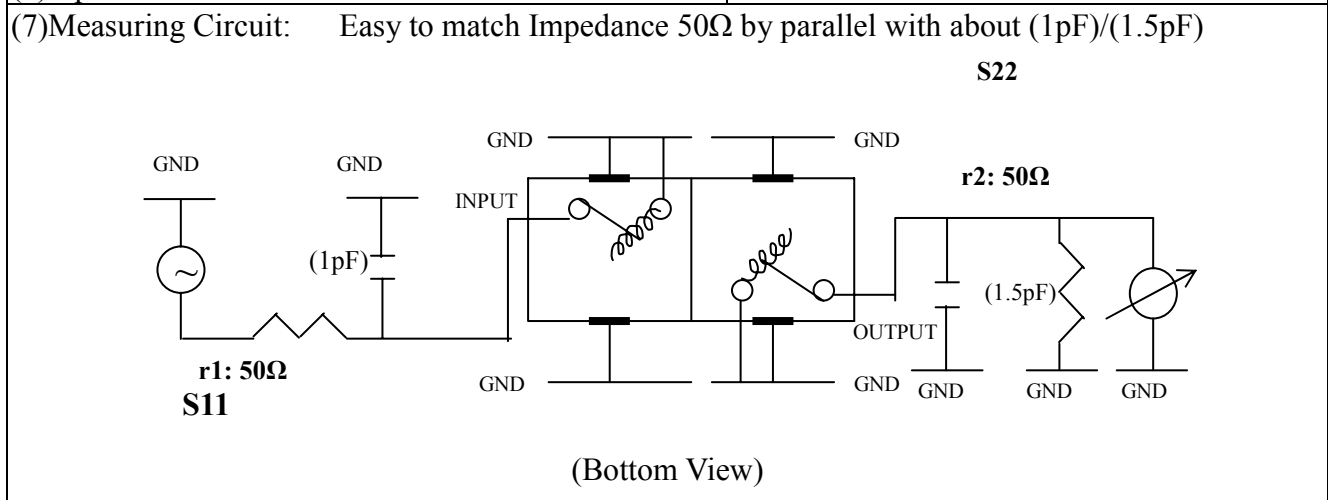


# VHF UHF Helical Filter Specification Sheet

Customer Name		Temwell's Part No.	TD6746A-480M
Approval No. /dated	0709025APR	Temwell's Print Name.	6746A 480M
Work Instruction No.	0709025C	Date	Sep.19.2007



(3) Electric Charasteric	
Item	Specify
Center Freq.(Fo ) +/- 0.5 %	480 MHz
Tunable Range:	480±5 MHz
Insertion Loss	Typ. 4 dB
-3 dB Bandwidth	Typ. 6 MHz
Sensitivity (Attenuation )	Fo - 40 MHz Typ. 39 dBc
	Fo + 40 MHz Typ. 30 dBc
	Fo - ( )MHz Typ. dBc
	Fo +( )MHz Typ. dBc
Return Loss	Min. 12 dB
Ripple	< 1 dB
Impedance	In / Out : 50 Ω
(4) Torque for Tuning Screw	> 100gf cm
(5) Temperature Condition:	
Operating Temperature	0 ~ +60
Storage Temperature	-20 ~ +70
(6) Input Power	> 1Watt

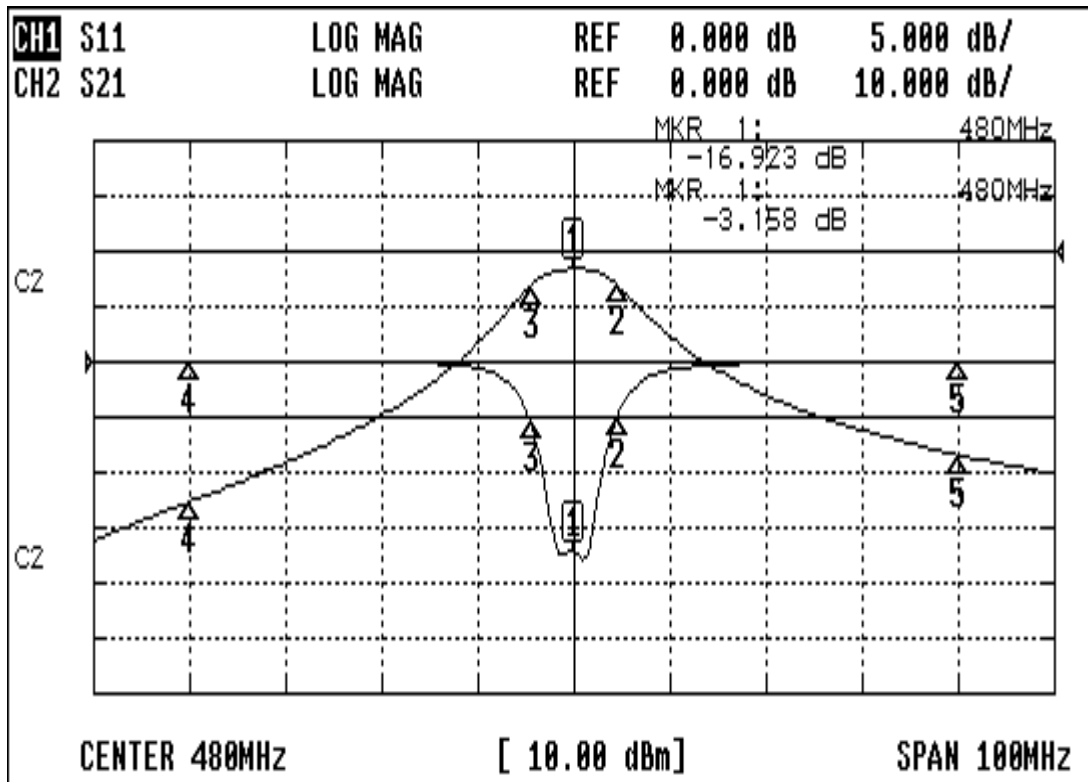


Approval C.Y.Chang	Supervisor C.S.Chang	Designer P.H.Chiang	Aperture size 7H2S(4*5.35)F 7H046RB4
-----------------------	-------------------------	------------------------	--

TEMWELL CORPORATION

# Performance-TD6746A-480M

## 0709025C



### CH1 MARKER LIST

1:	480.000MHz	-16.920 dB
2:	484.583MHz	-4.911 dB
3:	475.583MHz	-5.434 dB
4:	440.000MHz	0.084 dB
5:	520.000MHz	0.073 dB

### CH2 MARKER LIST

1:	480.000MHz	-3.158 dB
2:	484.583MHz	-6.184 dB
3:	475.583MHz	-6.114 dB
4:	440.000MHz	-45.325 dB
5:	520.000MHz	-36.764 dB