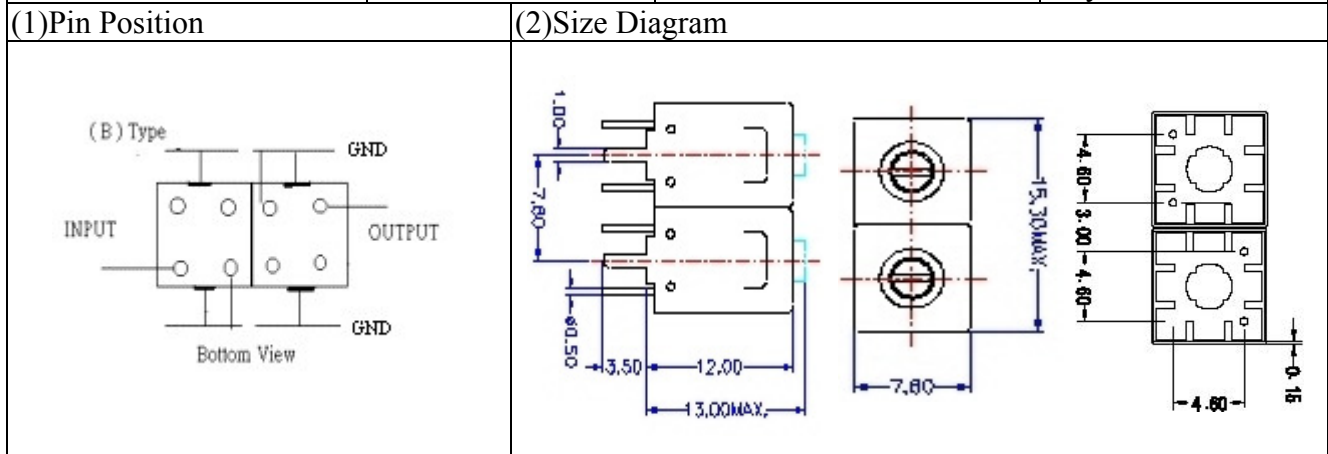


VHF UHF Helical Filter Specification Sheet

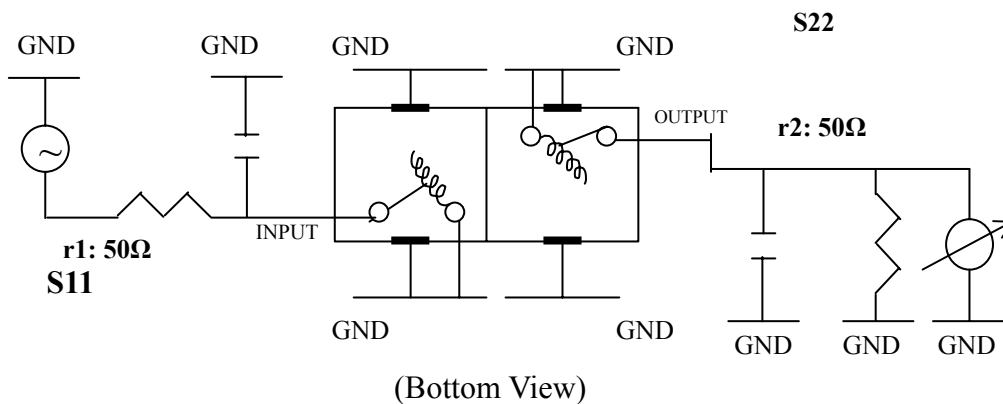
Customer Name		Temwell's Part No.	TD67490B-460M
Approval No. /dated	201205047CD	Temwell's Print No.	67490B 460M
Work Instruction No.	201205047CD	Date	May.16.2012



(3) Electric Charasteric

Item	Specify	
Center Freq.(Fo) +/- 0.5 %	460	MHz
Insertion Loss	Typ. 2.0	dB
-3 dB Bandwidth	Typ. 20	MHz
Sensitivity (Attenuation)	Fo - 50 MHz	Typ. 18 dBc
	Fo + 50 MHz	Typ. 27 dBc
	Fo - ()MHz	Typ. dB
	Fo +()MHz	Typ. dB
Return Loss	Min. 12	dB
Ripple	< 1	dB
Impedance	In / Out : 50 Ω	
(4)Torque for Tuning Screw	> 100gf cm	
(5)Temperature Condition:		
Operating Temperature	0 ~ +60	
Storage Temperature	-20 ~ +70	
(6)Input Power	> 1Watt	

(7)Measuring Circuit: Easy to match Impedance S11/S22 50Ω by parallel with about (--) pF.



Approval C.Y.Chang	Supervisor C.K.Chang	Designer F.L.Lai	Aperture size 7H2S(4*6.5)(6.60) 7H046LB4.3 聚 3(J1)
-----------------------	-------------------------	---------------------	--

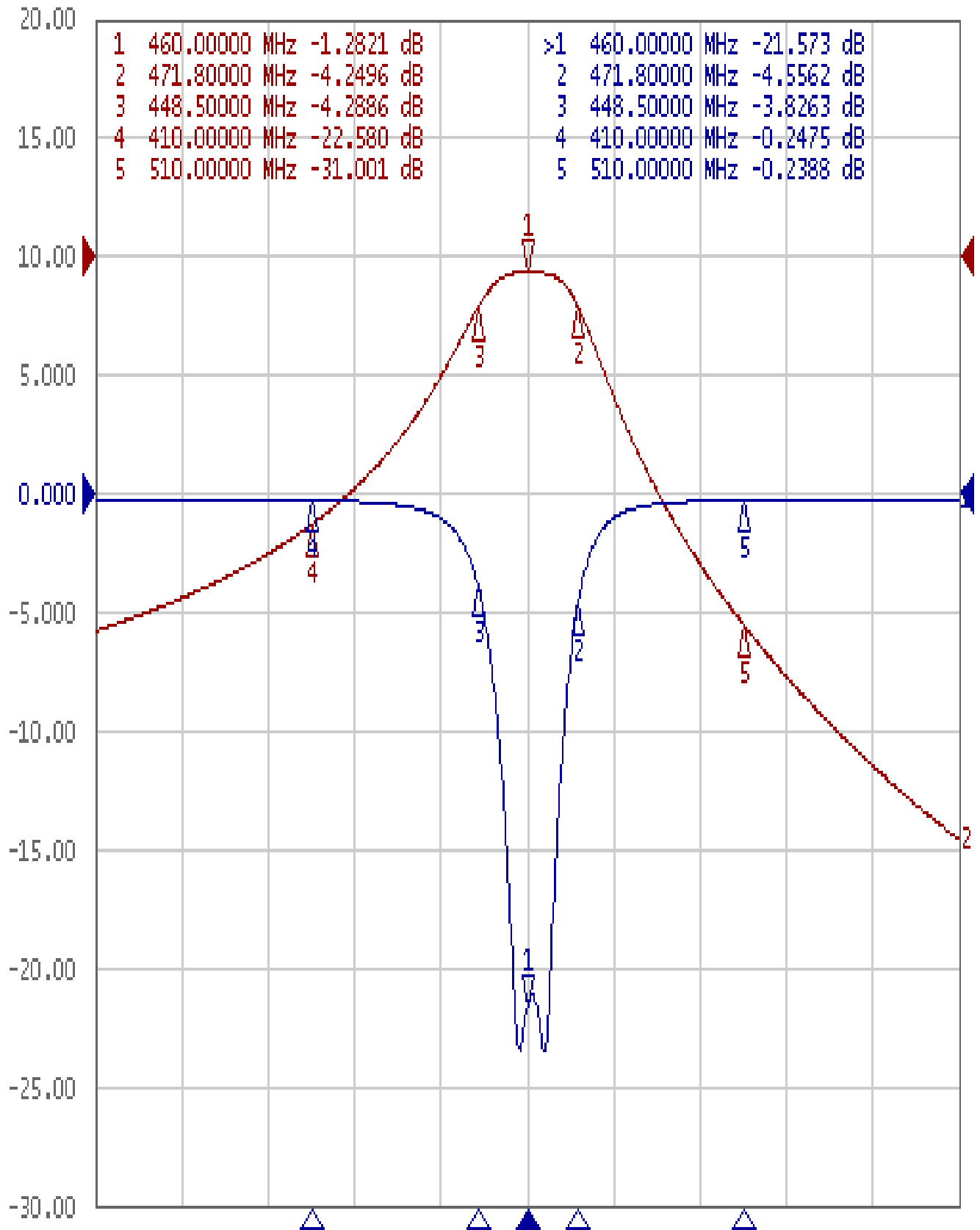
TEMWELL CORPORATION

Performance-TD67490B-460M

201205047CD

▶ Tr1 S11 Log Mag 5.000dB/ Ref 0.000dB [F2]

Tr2 S21 Log Mag 10.00dB/ Ref 0.000dB [F2]



1 Center 460 MHz

IFBW 10 kHz

Span 200 MHz **Cur** !