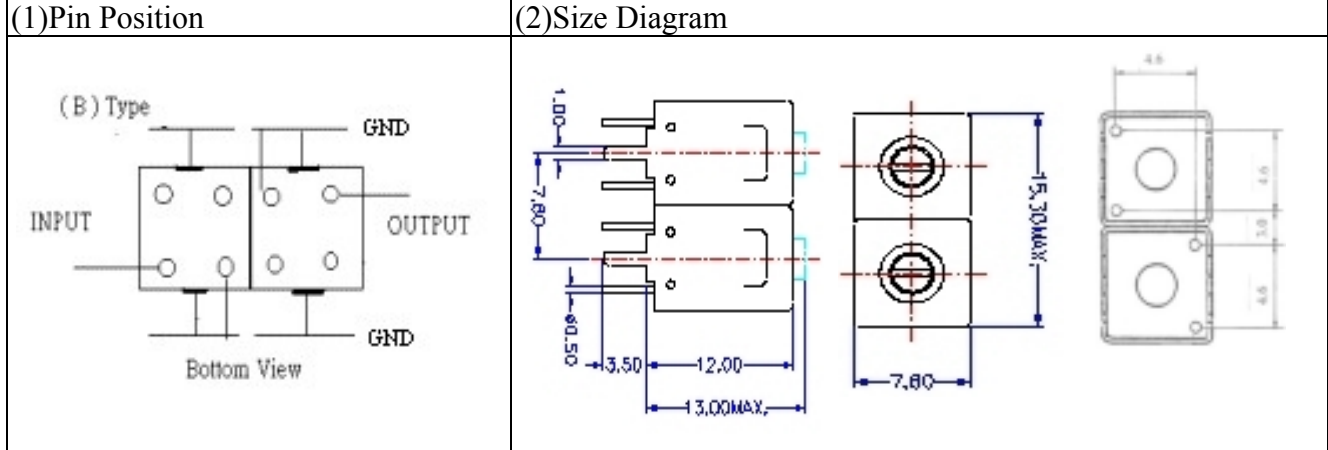


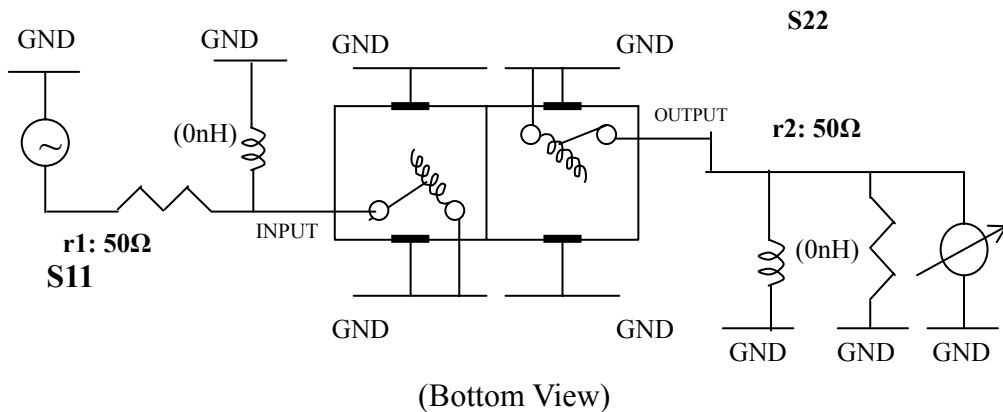
VHF UHF Helical Filter Specification Sheet

Customer Name		Temwell's Part No.	TD67722B-365M
Approval No. /dated	0603020APR	Temwell's Print Name	67722B 365M
Work Instruction No.	0609049C	Date	OCT.12.2006



(3) Electric Character	
Item	Specify
Center Freq.(Fo) +/- 0.5 %	365 MHz
Tunable Range	365±4 MHz
Insertion Loss	Typ. 1.5 dB
-3 dB Bandwidth	Typ. 40 MHz
Sensitivity (Attenuation)	Fo - 100 MHz Typ. 21 dBc
	Fo + 100 MHz Typ. 23 dBc
	Fo - ()MHz Typ. dBc
	Fo +()MHz Typ. dBc
Return Loss	Min. 12 dB
Ripple	< 1 dB
Impedance	In / Out : 50 Ω
(4) Torque for Tuning Screw	>100gf cm
(5) Temperature Condition:	
Operating Temperature	0 ~ +60
Storage Temperature	-20 ~ +70
(6) Input Power	> 1Watt

(7) Measuring Circuit: Easy to match Impedance 50Ω by parallel with about (0) nH / (0) nH



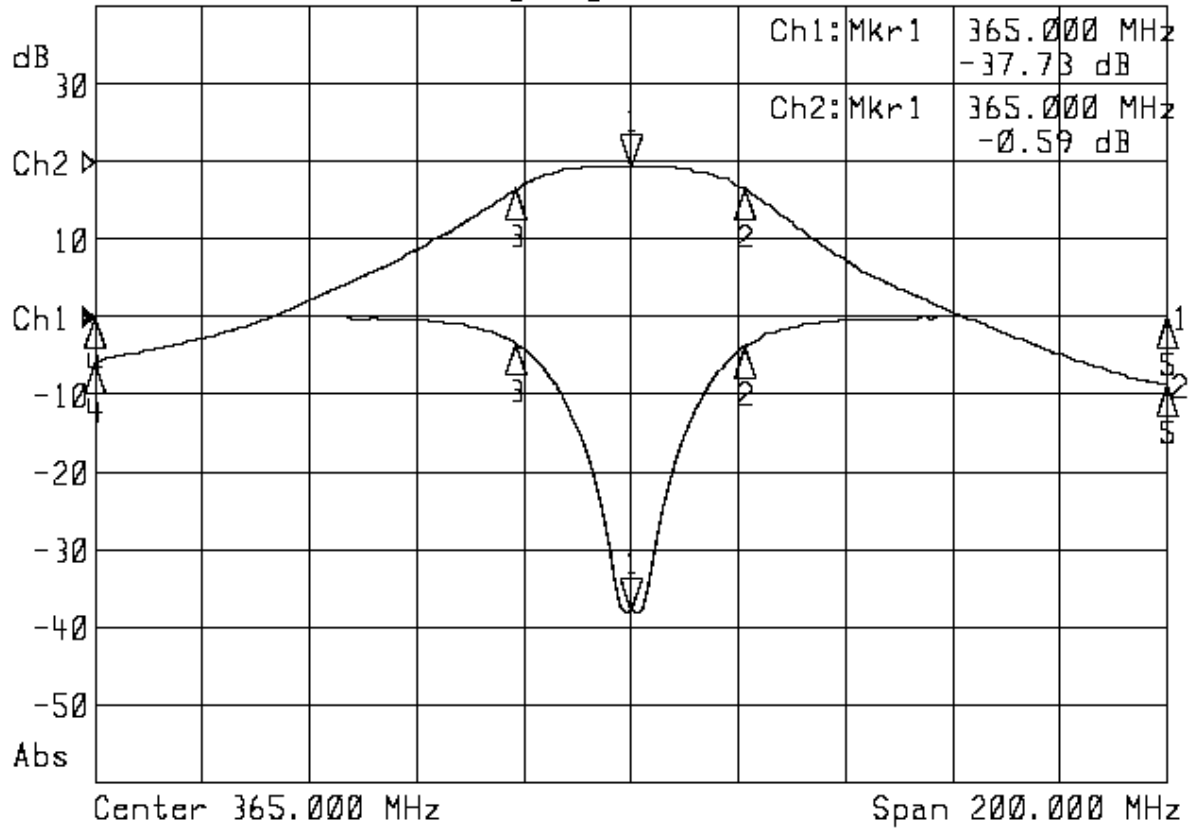
Approval	Supervisor	Designer	Aperture size
C.Y.Chang	C.S.Chang	T.M.Lan	7H2S(4*7.5) 7H046LB5

TEMWELL CORPORATION

Performance-TD67722B-365M

0609049C

►1: Reflection Log Mag 10.0 dB/ Ref 0.00 dB C
►2: Transmission Log Mag 10.0 dB/ Ref 0.00 dB C



1: Mkr (MHz)	dB	2: Mkr (MHz)	dB
1> 365.00	-37.73	1> 365.00	-0.60
2: 386.30	-3.72	2: 386.30	-3.54
3: 343.50	-3.43	3: 343.50	-3.53
4: 265.00	-0.04	4: 265.00	-25.82
5: 465.00	0.08	5: 465.00	-28.82