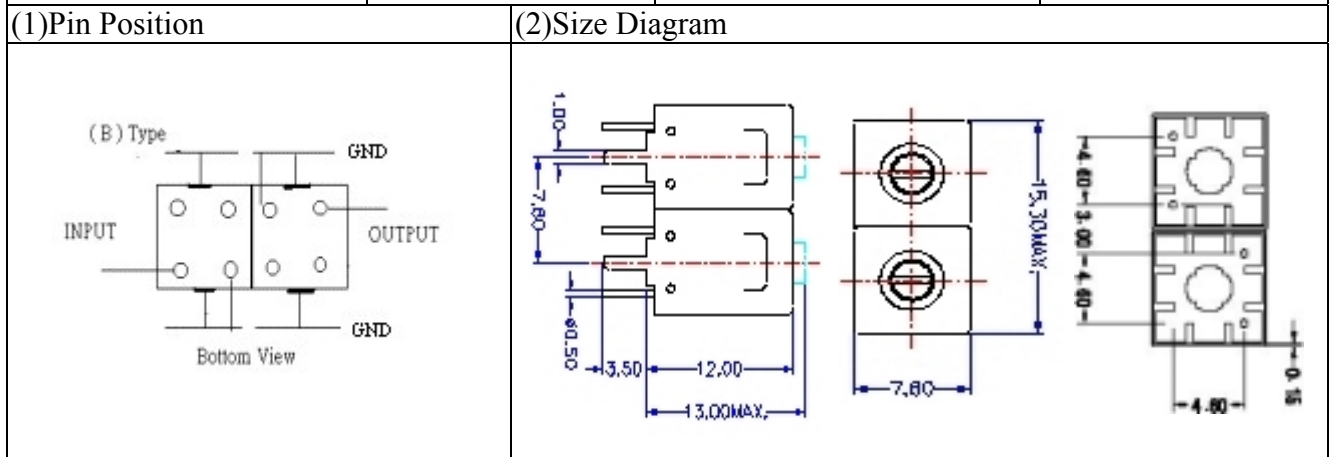


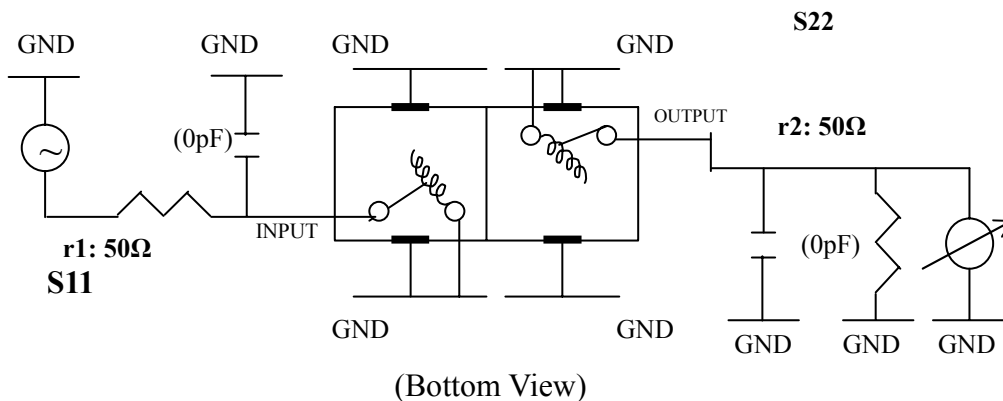
VHF UHF Helical Filter Specification Sheet

Customer Name		Temwell's Part No.	TD67821B-630M
Approval No. /dated	0810160C	Customer's Part No.	67821B 630M
Work Instruction No.	200810160C	Date	Nov.18.2008



(3)Electric Charasteric	
Item	Specify
Center Freq.(Fo) +/- 0.5 %	630 MHz
Insertion Loss	Typ. 2.0 dB
-3 dB Bandwidth	Typ. 32 MHz
Sensitivity (Attenuation)	Fo - 100 MHz Typ. 38 dBc
	Fo + 100 MHz Typ. 23 dBc
	Fo - ()MHz Typ. dBc
	Fo +()MHz Typ. dBc
Return Loss	Min. 12 dB
Ripple	< 1 dB
Impedance	In / Out : 50 Ω
(4)Torque for Tuning Screw	> 100gf cm
(5)Temperature Condition:	
Operating Temperature	0 ~ +60
Storage Temperature	-20 ~ +70
(6)Input Power	> 1Watt

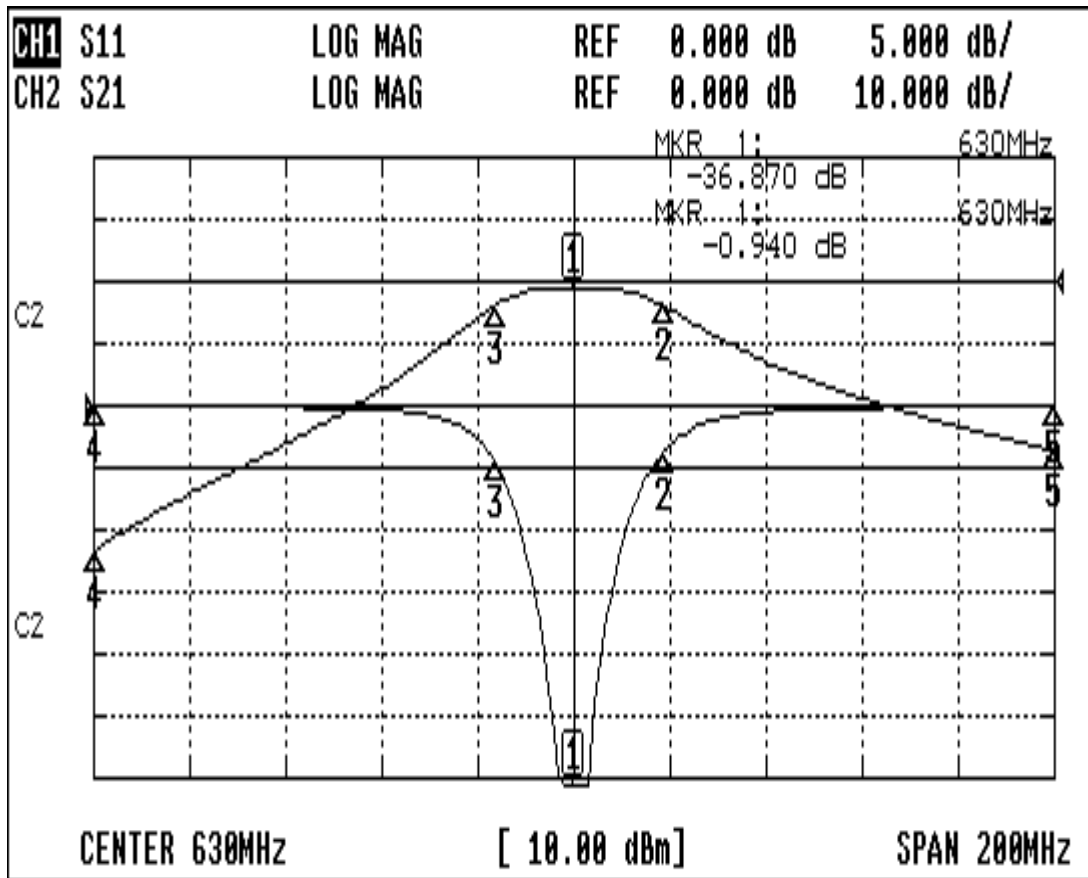
(7)Measuring Circuit: Easy to match Impedance S11/S22 50Ω/ by parallel with about (0) pF.



Approval C.Y.Chang	Supervisor C.S.Chang	Designer C.H.Yeh	Aperture size 7H2S(4*8.0F) (7H046RB4)
TEMWELL CORPORATION			

Performance-TD67821B-630M

200810160C



CH1 MARKER LIST		
1:	630.000MHz	-36.870 dB
2:	648.666MHz	-3.759 dB
3:	613.500MHz	-4.351 dB
4:	530.000MHz	-0.072 dB
5:	730.000MHz	-0.061 dB
6:		
7:		
8:		
9:		
10:		

CH2 MARKER LIST		
1:	630.000MHz	-0.939 dB
2:	648.666MHz	-3.928 dB
3:	613.500MHz	-3.936 dB
4:	530.000MHz	-43.427 dB
5:	730.000MHz	-27.143 dB
6:		
7:		
8:		
9:		
10:		