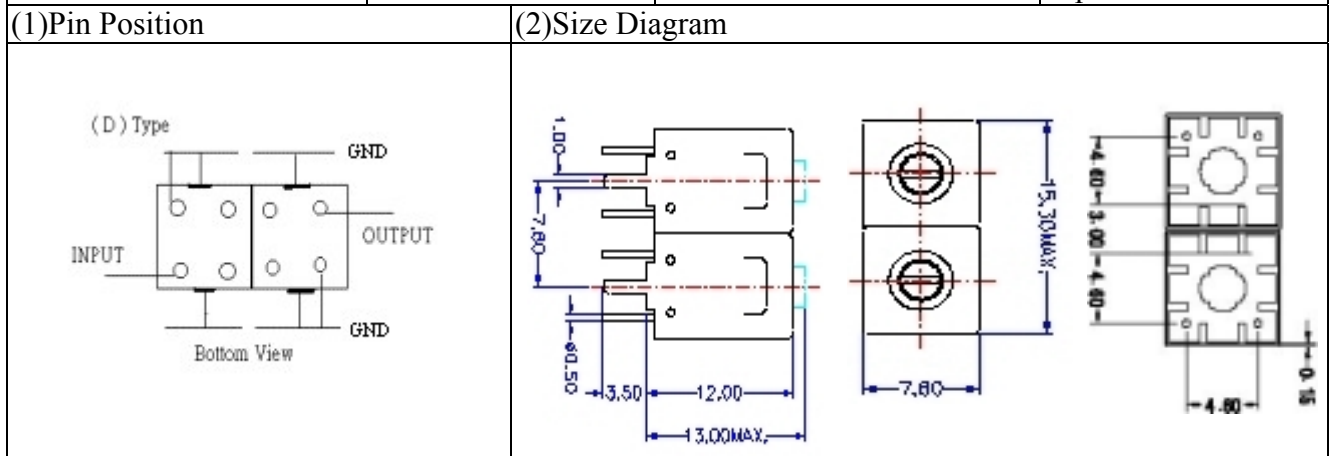
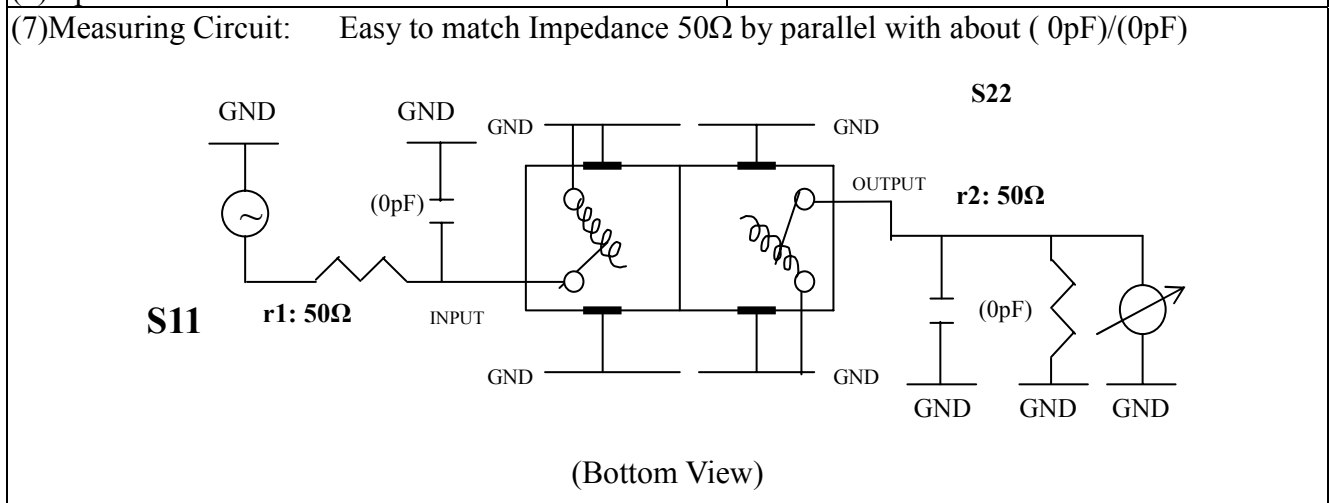


VHF UHF Helical Filter Specification Sheet

Customer Name		Temwell's Part No.	TD6791D-425M
Approval No. /dated	200809003C	Customer's Part No.	6791D 425M
Work Instruction No.	200809003C	Date	Sep.12.2008



(3) Electric Charasteric	
Item	Specify
Center Freq.(Fo) +/- 0.5 %	425 MHz
Tunable Range:	425±5 MHz
Insertion Loss	Typ. 3.0 dB
-3 dB Bandwidth	Typ. 10 MHz
Sensitivity (Attenuation)	Fo - 20 MHz Typ. 20 dBc
	Fo + 20 MHz Typ. 14 dBc
	Fo - ()MHz Typ. dBc
	Fo +()MHz Typ. dBc
Return Loss	Min. 12 dB
Ripple	< 1 dB
Impedance	In / Out : 50 Ω
(4) Torque for Tuning Screw	> 100gf cm
(5) Temperature Condition:	
Operating Temperature	0 ~ +60
Storage Temperature	-20 ~ +70
(6) Input Power	> 1Watt



Approval	Supervisor	Designer	Aperture size
C.Y.Chang	C.S.Chang	Y.H.Yeh	7H2S(4*4.65F) 7H046LB4 聚 3

TEMWELL CORPORATION

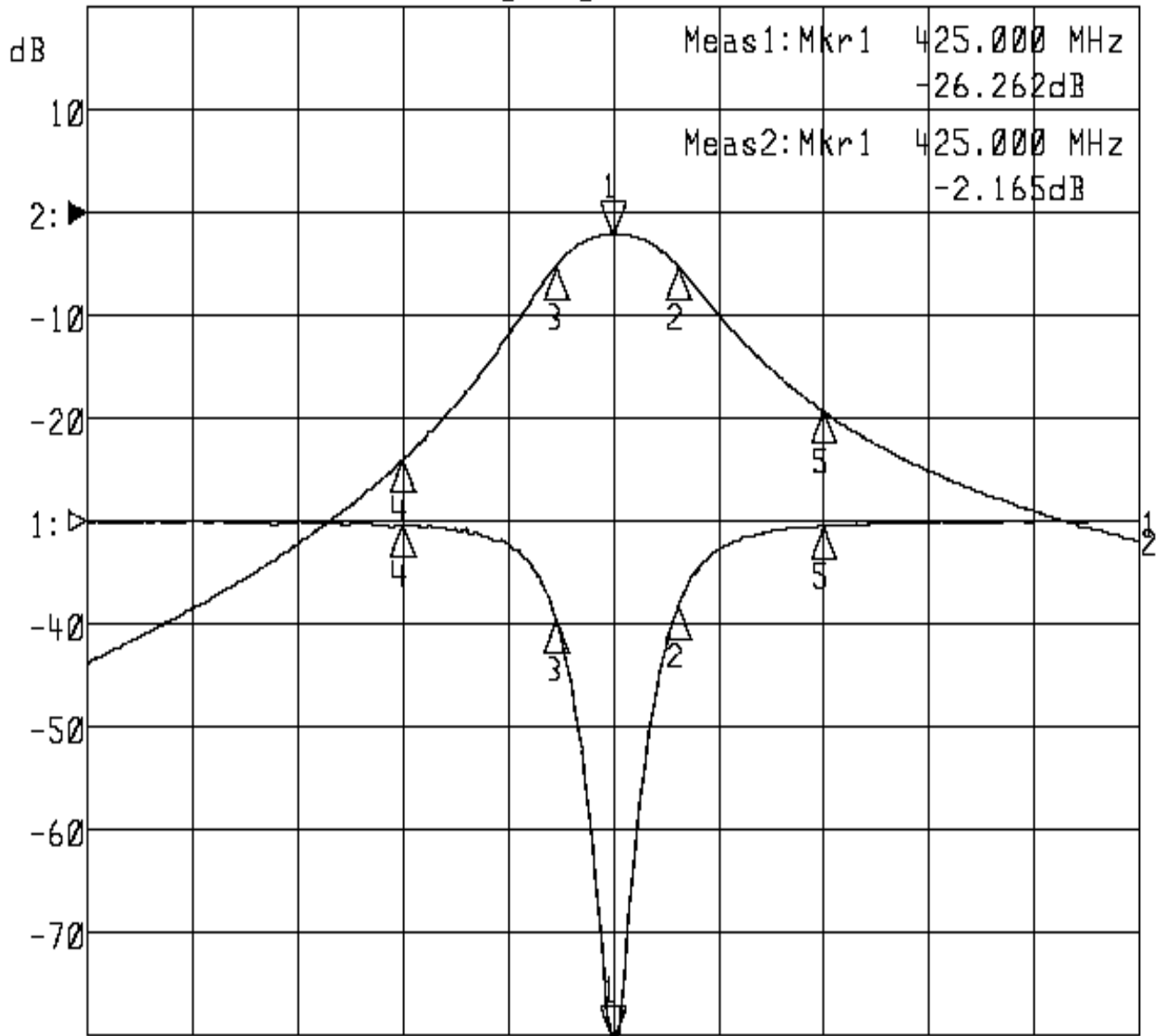
TEMWELL

Form10-7H2D Vision D PR(Y.H.Y)

Performance-TD6791D-425M

200809003C

►1:S11 Refl Port1 Log Mag 5.0 dB/ Ref 0.00 dB C
►2:S21 Fwd Trans Log Mag 10.0 dB/ Ref 0.00 dB C



Center 425.000 MHz

Span 100.000 MHz

1:Mkr (MHz)	dB	2:Mkr (MHz)	dB
1> 425.0000	-26.262	1> 425.0000	-2.165
2: 431.1333	-4.183	2: 431.1333	-5.134
3: 419.5667	-4.695	3: 419.5667	-5.150
4: 405.0000	-0.152	4: 405.0000	-23.999
5: 445.0000	-0.223	5: 445.0000	-19.300