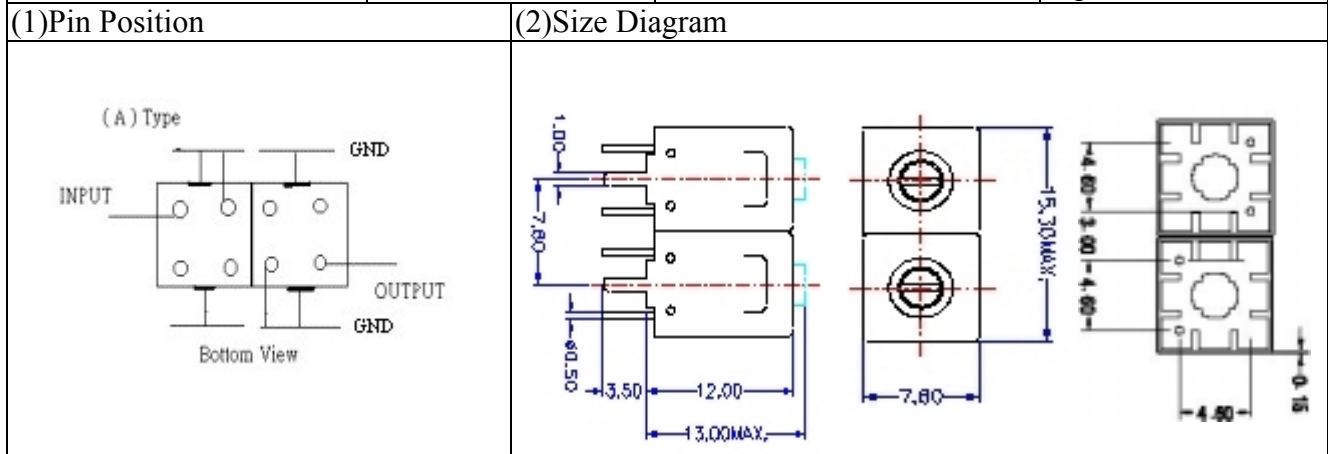
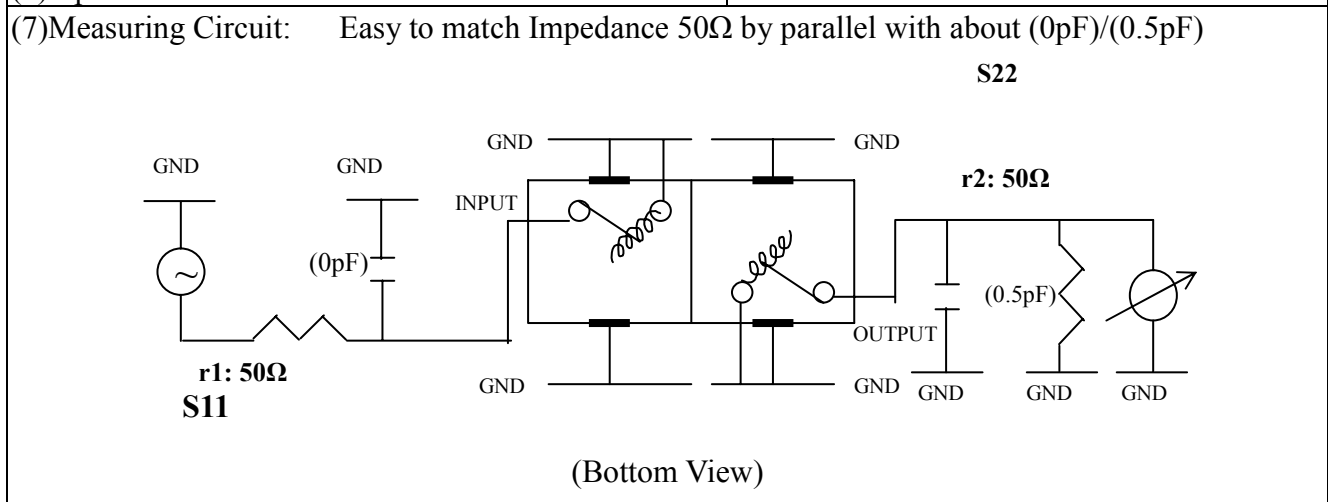


VHF UHF Helical Filter Specification Sheet

Customer Name		Temwell's Part No.	TD6796A-612M
Approval No. /dated	0709018APR	Temwell's Print Name.	6796A 612M
Work Instruction No.	0709018C	Date	Sep.13.2007



(3) Electric Charasteric	
Item	Specify
Center Freq.(Fo) +/- 0.5 %	612 MHz
Tunable Range:	612±5 MHz
Insertion Loss	Typ. 4.0 dB
-3 dB Bandwidth	Typ. 6 MHz
Sensitivity (Attenuation)	Fo - 50 MHz Typ. 41 dBc
	Fo + 50 MHz Typ. 23 dBc
	Fo - ()MHz Typ. dBc
	Fo +()MHz Typ. dBc
Return Loss	Min. 12 dB
Ripple	< 1 dB
Impedance	In / Out : 50 Ω
(4) Torque for Tuning Screw	> 100gf cm
(5) Temperature Condition:	
Operating Temperature	0 ~ +60
Storage Temperature	-20 ~ +70
(6) Input Power	> 1Watt

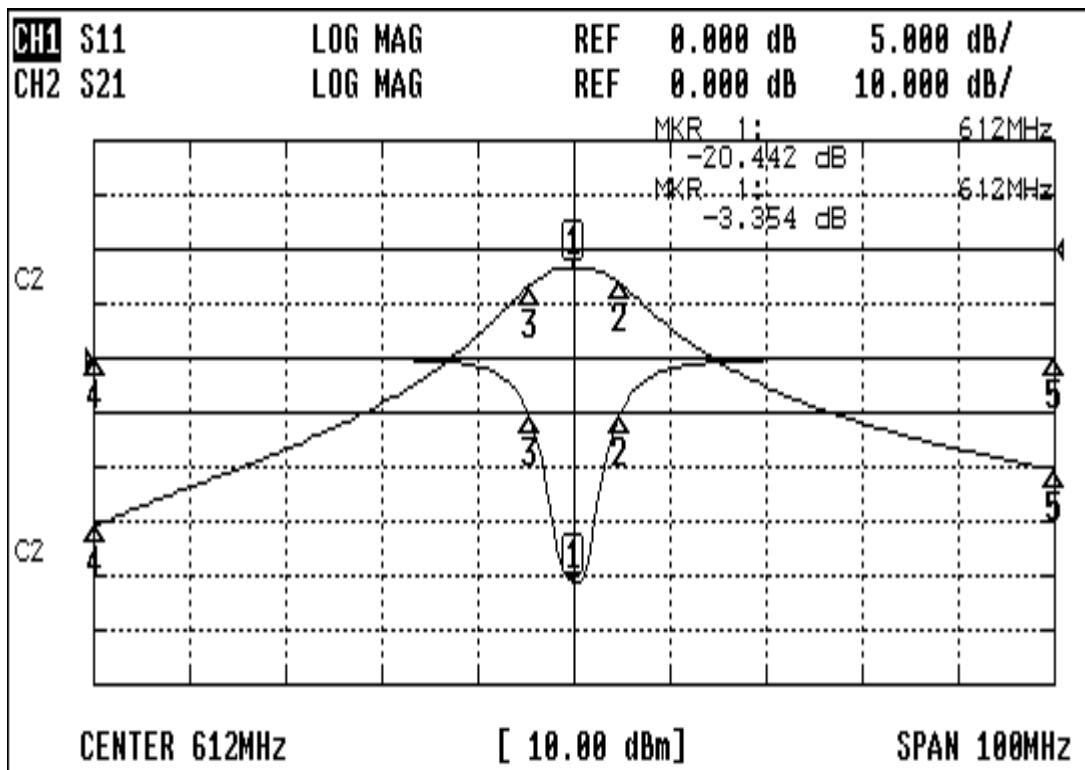


Approval C.Y.Chang	Supervisor C.S.Chang	Designer P.H.Chiang	Aperture size 7H2S(4*4.65) 7H046LB4 聚 3
-----------------------	-------------------------	------------------------	---

TEMWELL CORPORATION

Performance-TD6796A-612M

0709018C



CH1 MARKER LIST

1:	612.000MHz	-20.442	dB
2:	616.916MHz	-16.057	dB
3:	607.416MHz	-16.357	dB
4:	562.000MHz	0.062	dB
5:	662.000MHz	0.081	dB

CH2 MARKER LIST

1:	612.000MHz	-3.347	dB
2:	616.916MHz	-6.895	dB
3:	607.416MHz	-6.449	dB
4:	562.000MHz	-50.663	dB
5:	662.000MHz	-40.466	dB