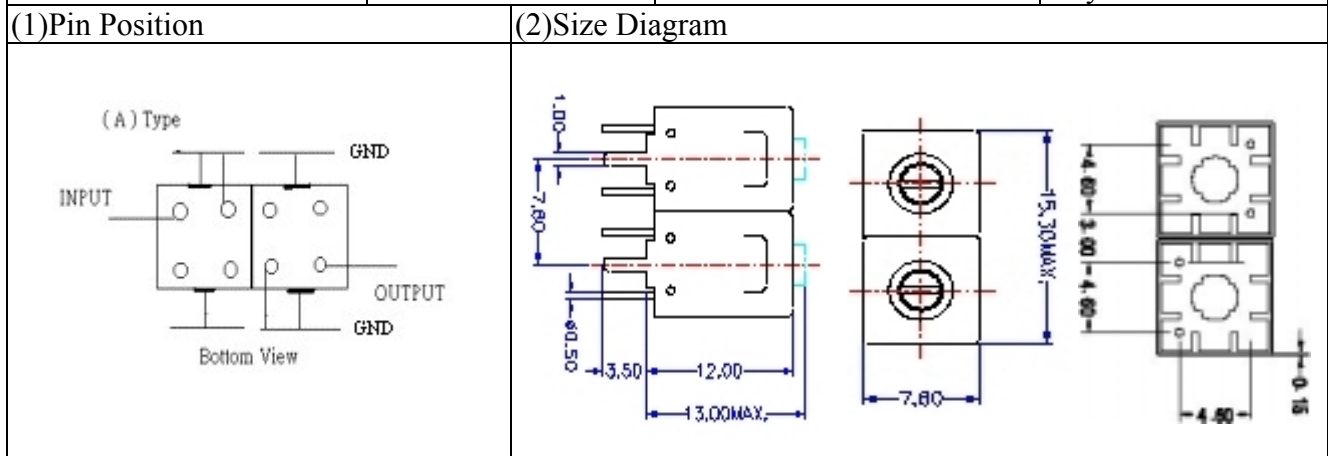


VHF UHF Helical Filter Specification Sheet

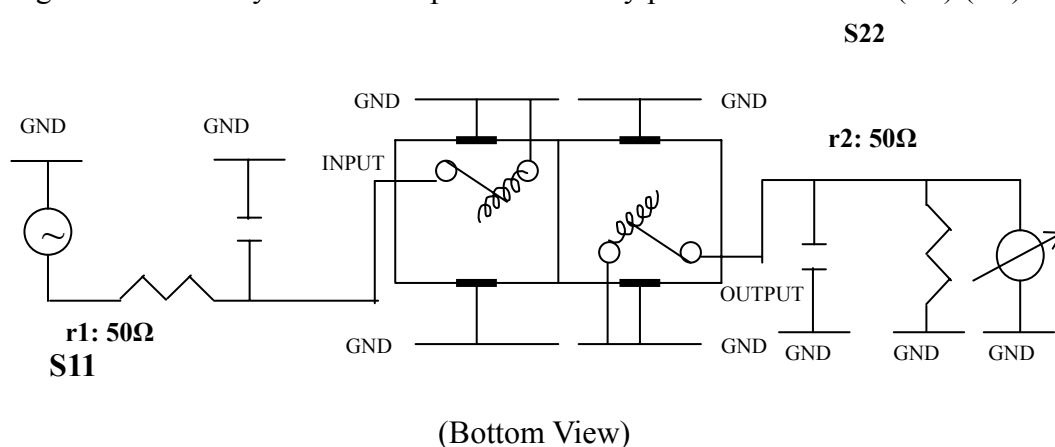
Customer Name		Temwell's Part No.	TD6867A-769M
Approval No. /dated		Temwell's Print Name.	6867A 769M
Work Instruction No.	201205048CD	Date	May.16.2012



(3) Electric Charasteric

Item	Specify	
Center Freq.(Fo) +/- 0.5 %	769	MHz
Insertion Loss	Typ. 3.5	dB
-3 dB Bandwidth	Typ. 10	MHz
Sensitivity (Attenuation)	Fo - 50 MHz	Typ. 27 dBc
	Fo + 50 MHz	Typ. 24 dBc
	Fo - ()MHz	Typ. dBc
	Fo +()MHz	Typ. dBc
Return Loss	Min. 12	dB
Ripple	< 1	dB
Impedance	In / Out : 50 Ω	
(4)Torque for Tuning Screw	> 100gf cm	
(5)Temperature Condition:		
Operating Temperature	0 ~ +60	
Storage Temperature	-20 ~ +70	
(6)Input Power	> 1Watt	

(7)Measuring Circuit: Easy to match Impedance 50Ω by parallel with about (--)/(--)



Approval	Supervisor	Designer	Aperture size
C.Y.Chang	C.K.Chang	F.L.Lai	7H2S(4*4.65)(4.69) 7H046LB4.3 聚 3

TEMWELL CORPORATION

Performance-TD6867A-769M

201205048CD

