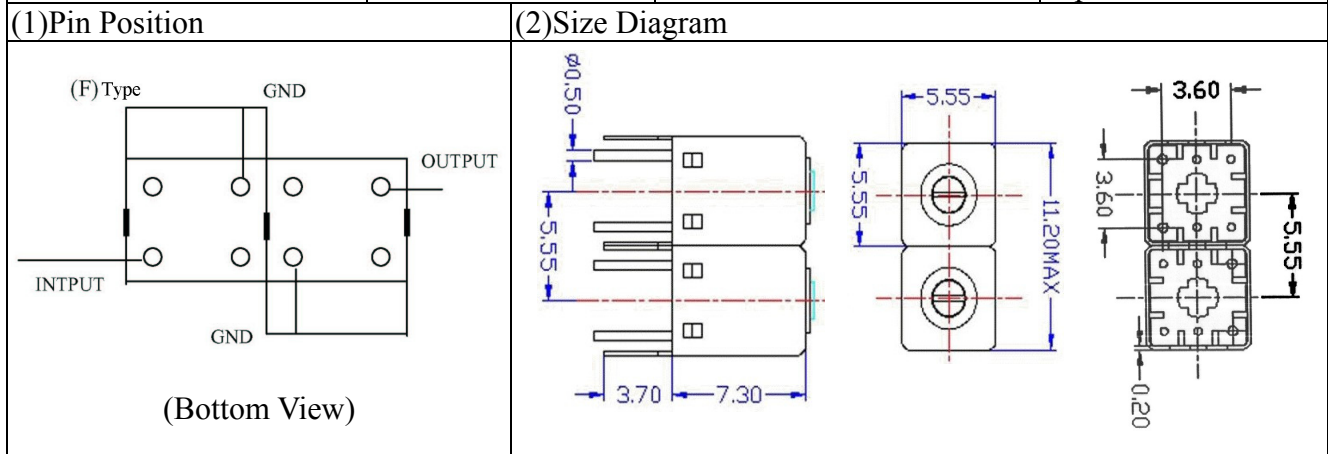


VHF UHF Helical Filter Specification Sheet

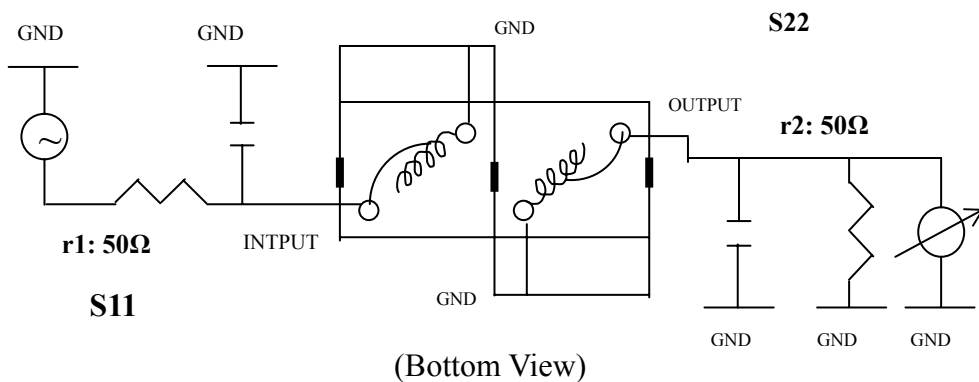
Customer Name		Temwell's Part No.	TDR2639F-480M
Approval No. /dated		Temwell's print name.	2639F 480M
Work Instruction No.	201302027C	Date	Sep.23.2013



(3) Electric Charasteric

Item	Specify	
Center Freq.(Fo) +/- 0. %	480	MHz
Insertion Loss	Typ. 2.5	dB
-3 dB Bandwidth	Typ. 23	MHz
Sensitivity (Attenuation)	Fo -50 MHz	Typ. 25 dBc
	Fo +50 MHz	Typ. 18 dBc
	Fo - ()MHz	Typ. dBc
	Fo +()MHz	Typ. dBc
Return Loss	Min. 12	dB
Ripple	< 1	dB
Impedance	In / Out : 50 Ω	
(4)Torque for Tuning Screw	>60 gf • cm	
(5)Temperature Condition:		
Operating Temperature	0°C ~ +60°C	
Storage Temperature	-20°C ~ +70°C	
(6)Input Power	> 0.5Watt	

(7)Measuring Circuit: ※Easy to match Impedance 50Ω by parallel with about (--) pF.



Approval	Supervisor	Designer	Aperture size
C.Y.Chang	C.K.Chang	C.S.Chang	5H2R(3.8*4.2)(3.8*4.16) 5HW024LB3

TEMWELL CORPORATION

TEMWELL

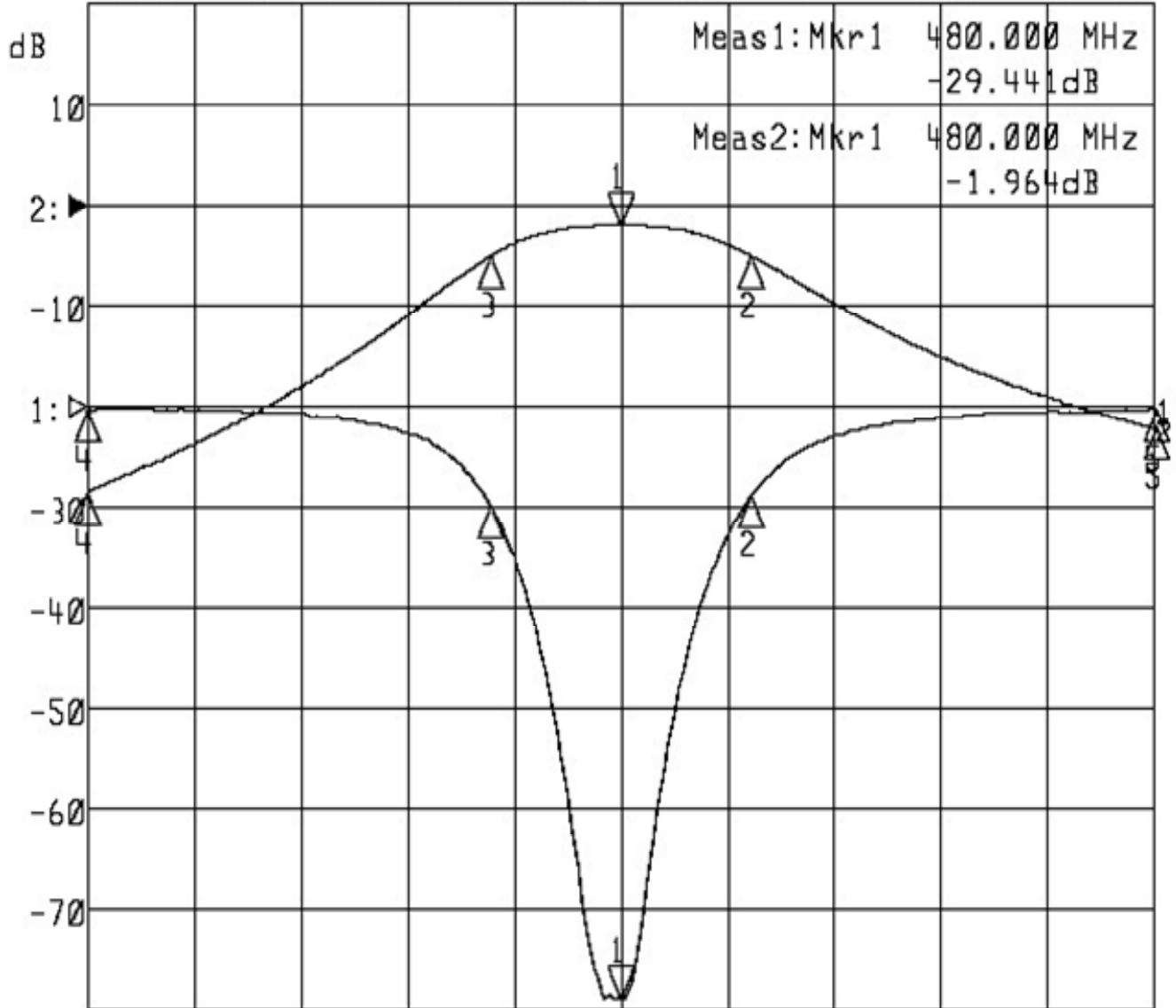
Form10-5R2F Vision D

RP(C.S.C)

Performance-TDR2639F-480M

201302027C

►1:S11 Refl Port1 Log Mag 5.0 dB/ Ref 0.00 dB C
►2:S21 Fwd Trans Log Mag 10.0 dB/ Ref 0.00 dB C



Center 480.000 MHz

Span 100.000 MHz

1: Mkr (MHz)	dB	2: Mkr (MHz)	dB
1> 480.0000	-29.441	1> 480.0000	-1.964
2: 492.2000	-4.437	2: 492.2000	-4.963
3: 467.8000	-4.903	3: 467.8000	-4.970
4: 430.0000	-0.096	4: 430.0000	-28.404
5: 530.0000	-0.159	5: 530.0000	-22.096