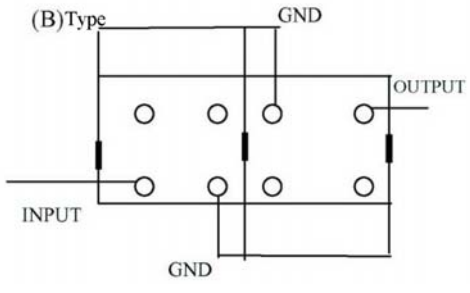
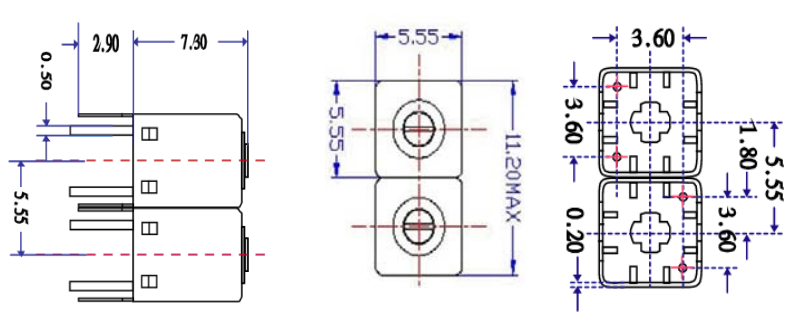


VHF UHF Helical Filter Specification Sheet

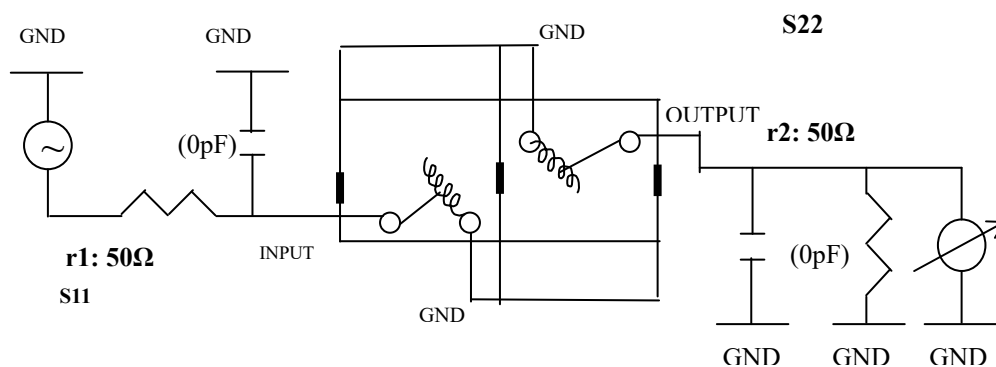
Customer Name		Temwell's Part No.	TDR2947B-430M
Approval No. /dated		Temwell's print name.	2947B 430M
Work Instruction No.	201704006A	Date	May.3.2017

(1)Pin Position	(2)Size Diagram
 <p>(Bottom View)</p>	

(3)Electric Charasteric

Item	Specify
Center Freq.(Fo) +/- 0.5 %	430 MHz
Insertion Loss	Typ. 3.5 dB
-3 dB Bandwidth	Typ. 10 MHz
Sensitivity (Attenuation)	Fo - 50 MHz Typ. 25 dBc
	Fo + 50 MHz Typ. 25 dBc
	Fo - ()MHz Typ. dBc
	Fo +()MHz Typ. dBc
Return Loss	Min. 12 dB
Ripple	< 1 dB
Impedance	In / Out : 50 Ω
(4)Torque for Tuning Screw	>60 gf • cm
(5)Temperature Condition:	
Operating Temperature	0°C ~ +60°C
Storage Temperature	-20°C ~ +70°C
(6)Input Power	>0.5Watt

(7)Measuring Circuit: ※Easy to match Impedance S11/S22 50Ω by parallel with about (--)



(Bottom View)

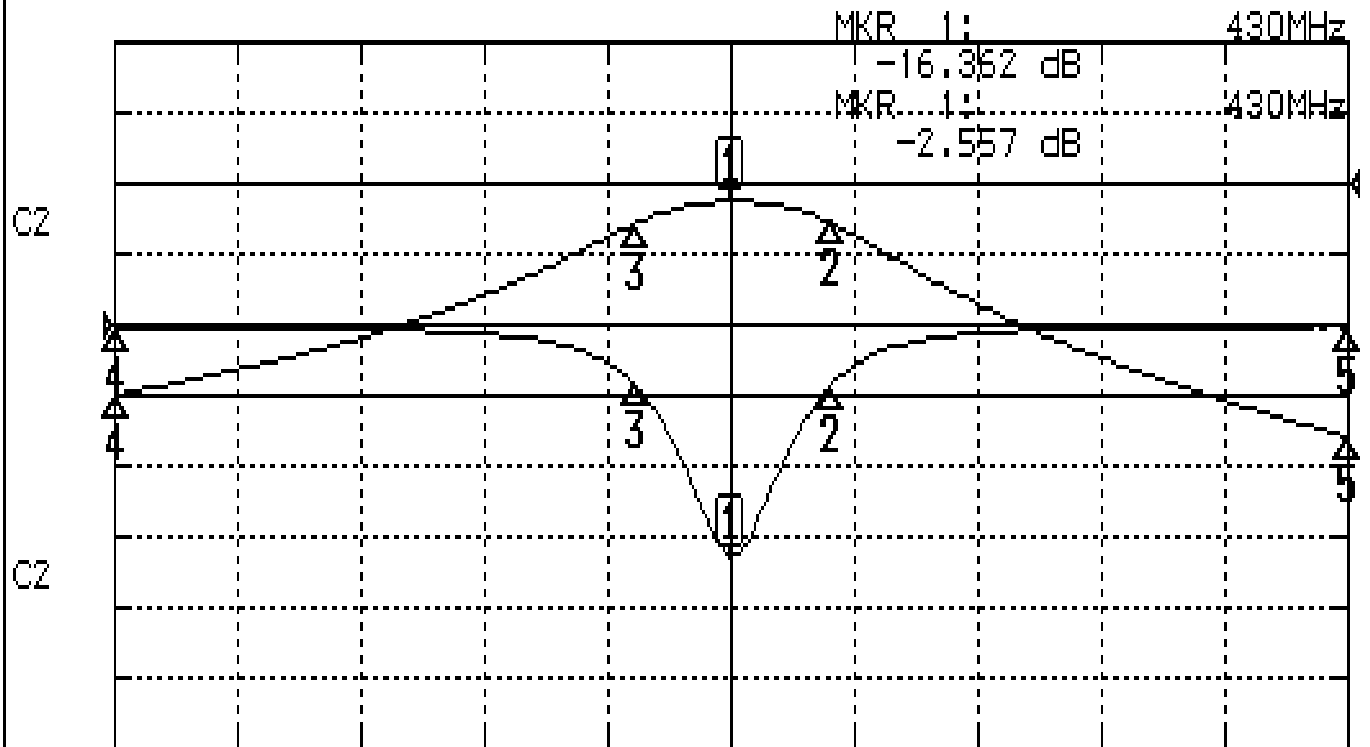
Approval	Supervisor	Designer	Aperture size
C.Y.Chang	C.K.Chang	M.Y.Kang	5R2S(3.8*3.65)(3.70) 5HW024LB3

TEMWELL CORPORATION

Performance-TDR2947B-430M

201704006A

CH1 S11 LOG MAG REF 0.000 dB 5.000 dB/
CH2 S21 LOG MAG REF 0.000 dB 10.000 dB/



CENTER 430MHz

[10.00 dBm]

SPAN 100MHz

CH1 MARKER LIST

1	430.000MHz	-16.362	dB
2	438.083MHz	-4.281	dB
3	422.333MHz	-4.352	dB
4	380.000MHz	-0.177	dB
5	480.000MHz	-0.149	dB

CH2 MARKER LIST

1	430.000MHz	-2.555	dB
2	438.083MHz	-1.504	dB
3	422.333MHz	-1.583	dB
4	380.000MHz	-29.910	dB
5	480.000MHz	-35.959	dB