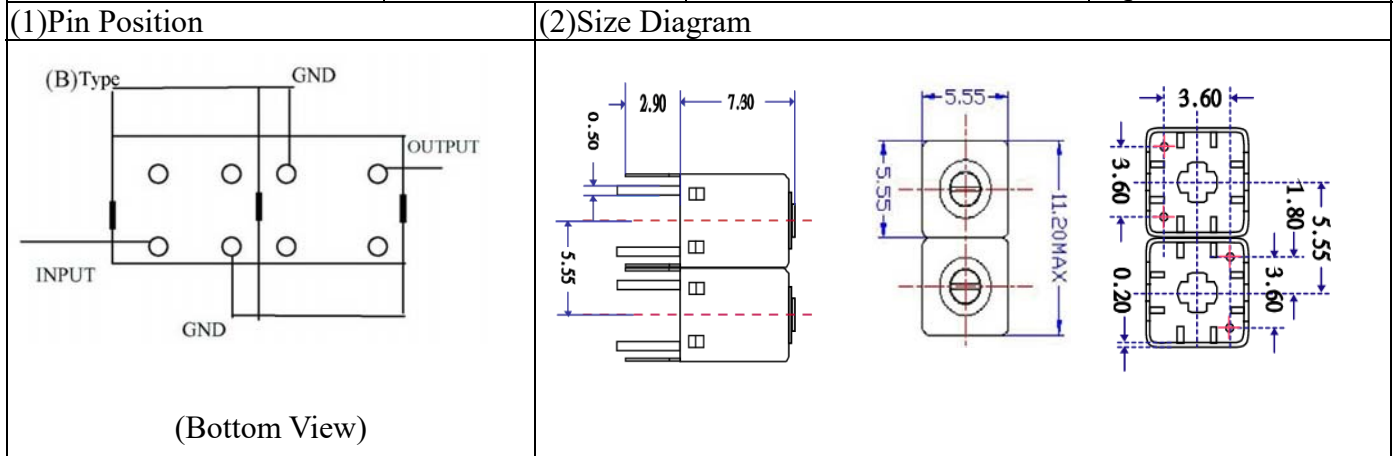
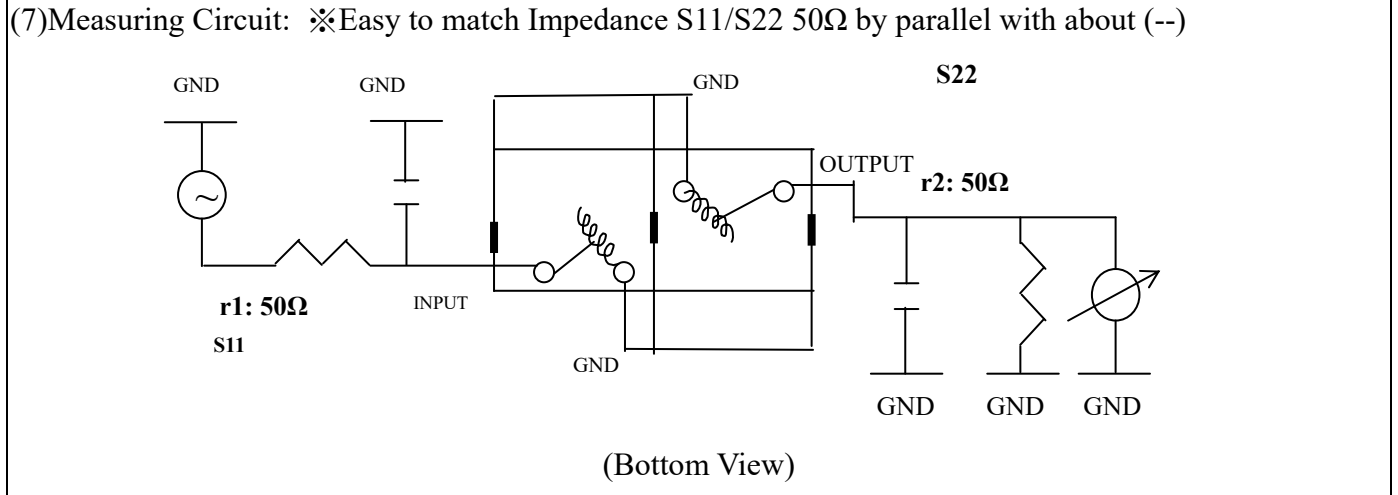


# VHF UHF Helical Filter Specification Sheet

Customer Name		Temwell's Part No.	TDR2954B-410M
Approval No. /dated		Temwell's print name.	2954B 410M
Work Instruction No.	201708090C	Date	Sep.06.2017



(3) Electric Characteristic		Item	Specify
		Center Freq.(Fo )	410 MHz
		Insertion Loss	Typ. 3.5 dB
		-3 dB Bandwidth	Typ. 10 MHz
Sensitivity (Attenuation )	Fo - 50 MHz	Typ.	25 dBc
	Fo + 50 MHz	Typ.	25 dBc
	Fo - ( )MHz	Typ.	dBc
	Fo +( )MHz	Typ.	dBc
		Return Loss	Min. 12 dB
		Ripple	< 1 dB
		Impedance	In / Out : 50 Ω
		(4) Torque for Tuning Screw	>60 gf · cm
		(5) Temperature Condition:	
		Operating Temperature	-35°C ~ +85°C
		Storage Temperature	-35°C ~ +85°C
		(6) Input Power	>0.5Watt



Approval	Supervisor	Designer	Aperture size
C.Y.Chang	C.K.Chang	P.H.Ching	5R2S(3.8*3.65)(3.68) 5HW024LB3 (J2)
TEMWELL		CORPORATION	

# Performance-TDR2954B-410M

## 201708090C

Tr1 S11 Log Mag 5.000dB/ Ref 0.000dB [F2]  
Tr2 S21 Log Mag 10.00dB/ Ref 0.000dB [F2]

