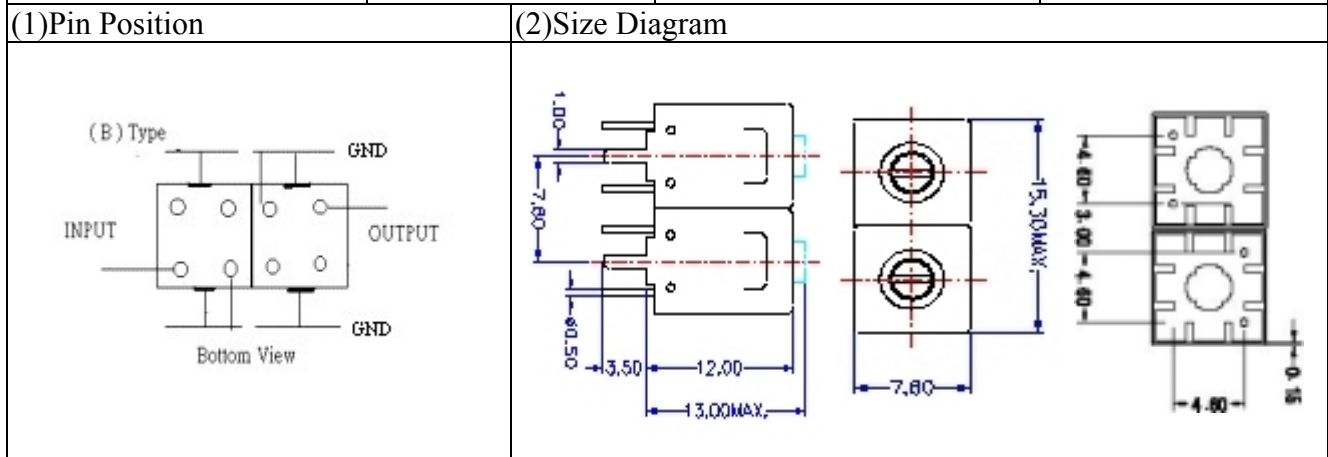


# VHF UHF Helical Filter Specification Sheet

Customer Name		Temwell's Part No.	TDS2006B-195M
Approval No. /dated	20508052APR	Temwell's print name.	2006B 195M
Work Instruction No.	0805083A	Date	Jun.18.2008



(3) Electric Characteristic

Item	Specify
Center Freq.(Fo ) +/- 0.5 %	195 MHz
Insertion Loss	Typ 2.5 dB
-3 dB Bandwidth	Typ. 16 MHz
Sensitivity (Attenuation )	Fo - 50 MHz Typ. 24 dBc
	Fo + 50 MHz Typ. 27 dBc
	Fo - ( )MHz Typ. dBc
	Fo +( )MHz Typ. dBc
Return Loss	Min. 12 dB
Ripple	< 1 dB
Impedance	In / Out : 50 Ω

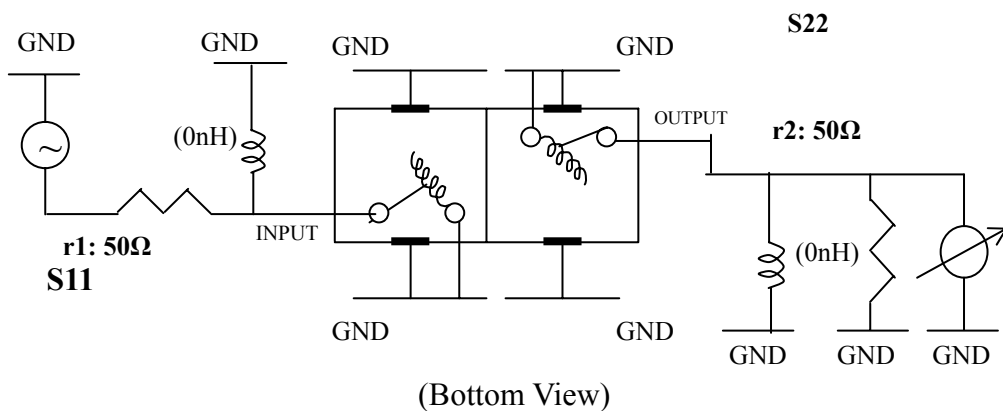
(4) Torque for Tuning Screw > 60gf cm

(5) Temperature Condition:

Operating Temperature	0 ~ +60
Storage Temperature	-20 ~ +70

(6) Input Power > 1Watt

(7) Measuring Circuit: Easy to match Impedance S11/S22 50Ω by parallel with about (0nH)/(0nH).



Approval	Supervisor	Designer	Aperture size
C.Y.Chang	C.S.Chang	W.S.Chen	7S2S(4*5.1)

TEMWELL CORPORATION

# Performance-TDS2006B-195M

## 0805083A

