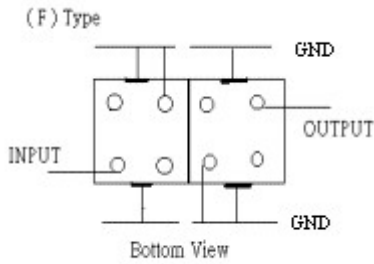


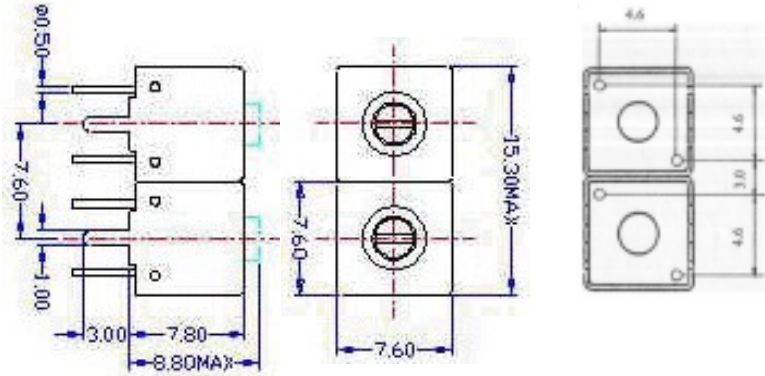
VHF UHF Helical Filter Specification Sheet

Customer Name		Temwell's Part No.	TDS2064F-445M
Approval No. /dated	20508053APR	Customer's Part No.	2064F 445M
Work Instruction No.	200811008C	Date	Nov.13.2008

(1) Pin Position



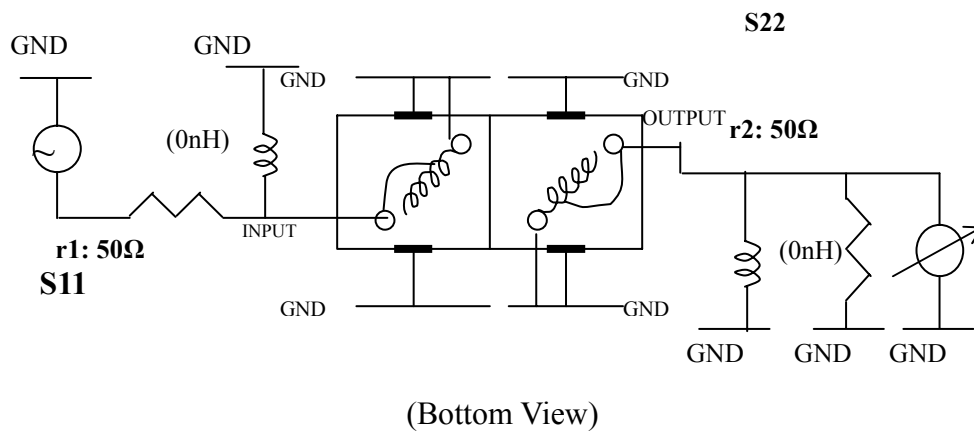
(2) Size Diagram



(3) Electric Characteristic

Item	Specify
Center Freq.(Fo) +/- 0.5 %	445 MHz
Insertion Loss	Typ. 2.5 dB
-3 dB Bandwidth	Typ. 40 MHz
Sensitivity (Attenuation)	Fo - 100 MHz Typ. 17 dBc
	Fo + 100 MHz Typ. 24 dBc
	Fo - ()MHz Typ. dBc
	Fo +()MHz Typ. dBc
Return Loss	Min. 12 dB
Ripple	< 1 dB
Impedance	In / Out : 50 Ω
(4) Torque for Tuning Screw	> 60gf cm
(5) Temperature Condition:	
Operating Temperature	0 ~ +60
Storage Temperature	-20 ~ +70
(6) Input Power	> 0.5Watt

(7) Measuring Circuit: Easy to match Impedance S11/S22 50 Ω / by parallel with about (0nH)/(0nH).

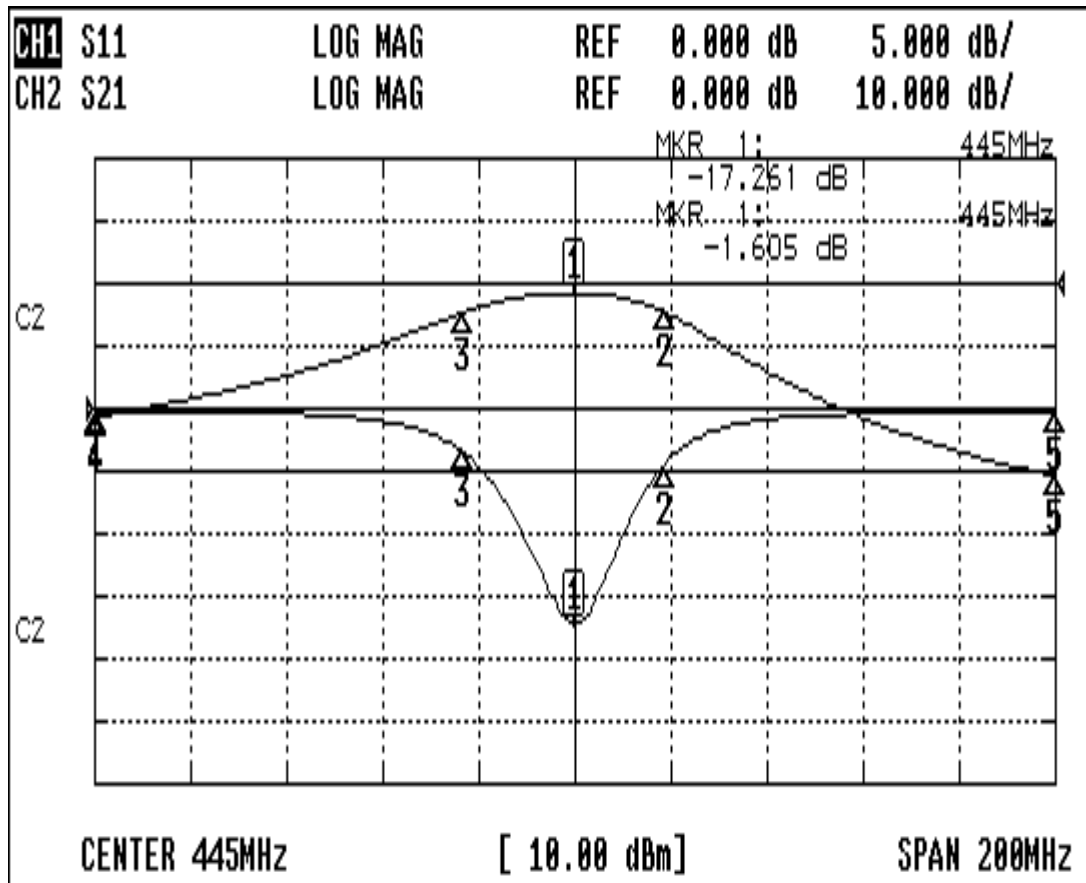


Approval	Supervisor	Designer	Aperture size
C.Y.Chang	C.S.Chang	C.H.Yeh	7S2S(4*5.1) 7S00LB6

TEMWELL CORPORATION

Performance-TDS2064F-445M

200811008C



CH1 MARKER LIST

1:	445.000MHz	-17.261 dB
2:	463.833MHz	-4.403 dB
3:	421.666MHz	-3.447 dB
4:	345.000MHz	-0.155 dB
5:	545.000MHz	-0.211 dB
6:		
7:		
8:		
9:		
10:		

CH2 MARKER LIST

1:	445.000MHz	-1.605 dB
2:	463.833MHz	-4.634 dB
3:	421.666MHz	-4.696 dB
4:	345.000MHz	-21.329 dB
5:	545.000MHz	-30.698 dB
6:		
7:		
8:		
9:		
10:		