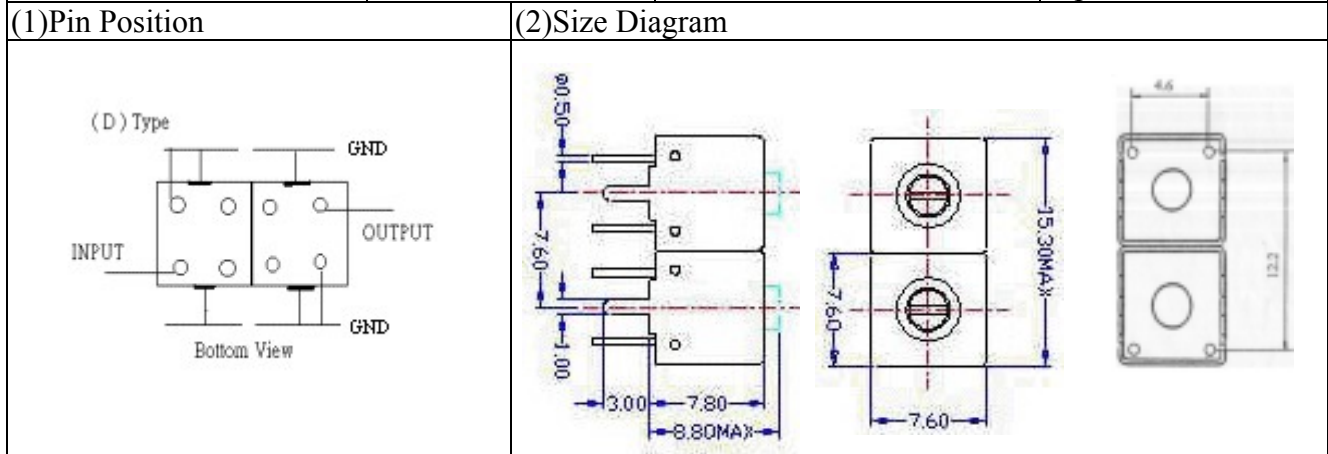


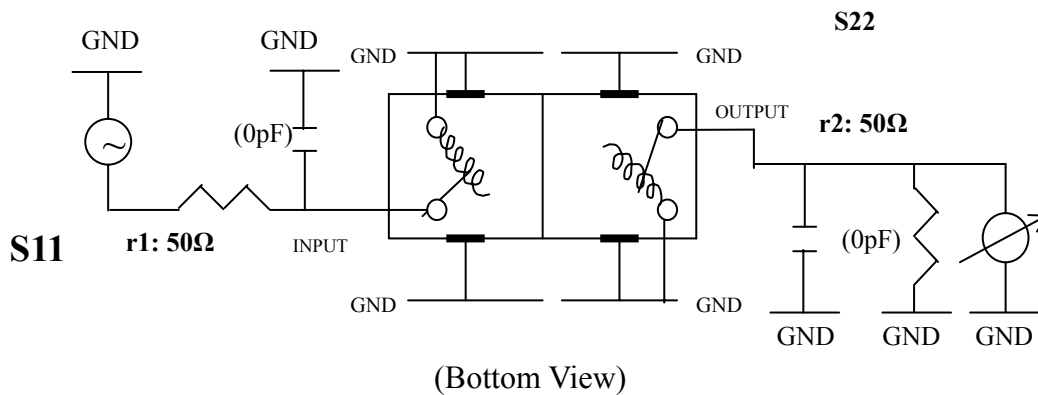
VHF UHF Helical Filter Specification Sheet

Customer Name		Temwell's Part No.	TDS2134D-710.4M
Approval No. /dated	200808152CD	Customer's Part No.	2134D 710.4M
Work Instruction No.	200808152CD	Date	Sep.05.2008



(3)Electric Charasteric	
Item	Specify
Center Freq.(Fo) +/- 0.5 %	710.4 MHz
Insertion Loss	Typ. 3.5 dB
-3 dB Bandwidth	Typ. 16 MHz
Sensitivity (Attenuation)	Fo - 50 MHz Typ. 23 dBc
	Fo + 50 MHz Typ. 21 dBc
	Fo - ()MHz Typ. dBc
	Fo +()MHz Typ. dBc
Return Loss	Min. 12 dB
Ripple	< 1 dB
Impedance	In / Out : 50 Ω
(4)Torque for Tuning Screw	> 60gf cm
(5)Temperature Condition:	
Operating Temperature	0 ~ +60
Storage Temperature	-20 ~ +70
(6)Input Power	> 0.5Watt

(7)Measuring Circuit: Easy to match Impedance S11/S22 50Ω by parallel with about (0pF)/(0pF).

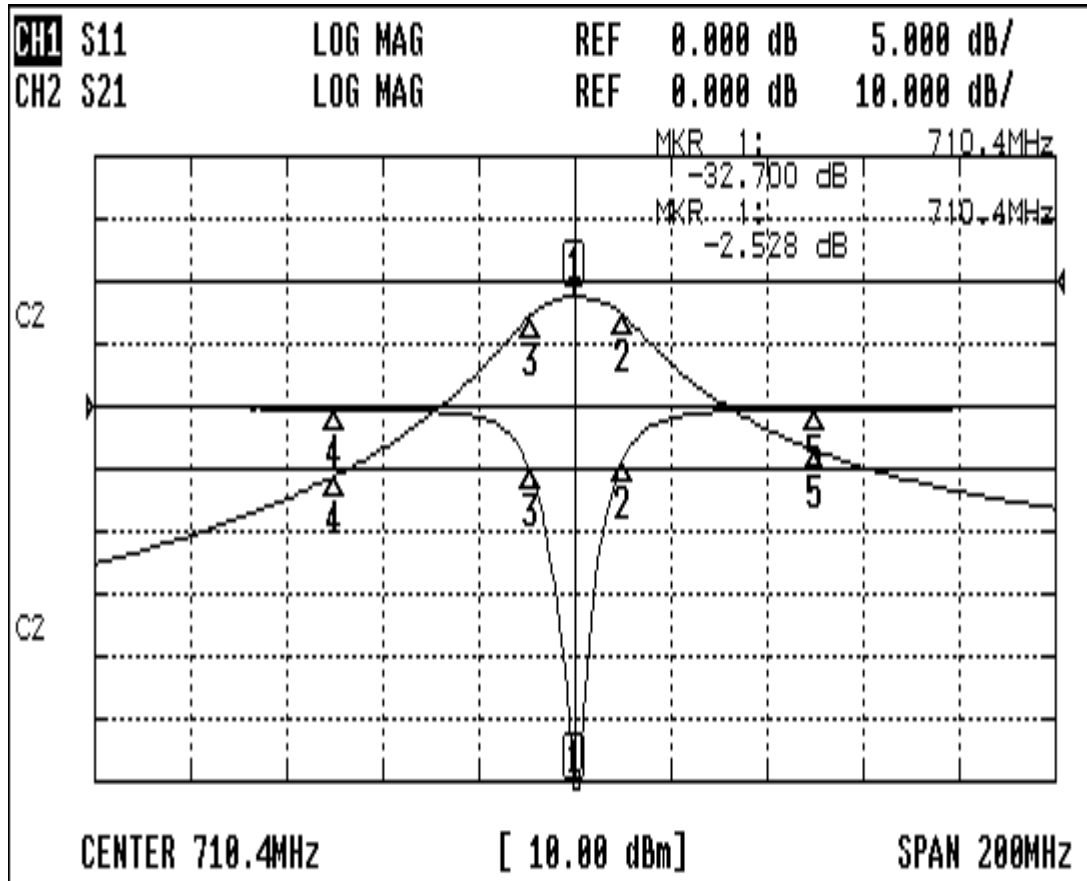


Approval C.Y.Chang	Supervisor C.S.Chang	Designer C.H.Yeh	Aperture size 7S2S(4*4.3F) (7S046LB4)
-----------------------	-------------------------	---------------------	---------------------------------------------

TEMWELL CORPORATION

Performance-TDS-2134D-710.4M

200808152CD



CH1 MARKER LIST

1:	710.400MHz	-32.681 dB
2:	720.566MHz	-4.303 dB
3:	701.066MHz	-5.000 dB
4:	660.400MHz	-0.187 dB
5:	760.400MHz	-0.186 dB
6:		
7:		
8:		
9:		
10:		

CH2 MARKER LIST

1:	710.400MHz	-2.528 dB
2:	720.566MHz	-5.553 dB
3:	701.066MHz	-5.560 dB
4:	660.400MHz	-31.119 dB
5:	760.400MHz	-27.052 dB
6:		
7:		
8:		
9:		
10:		

