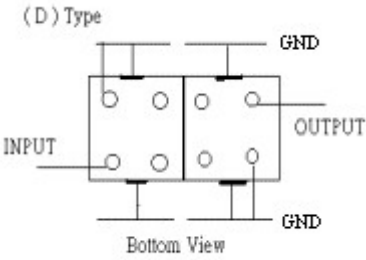
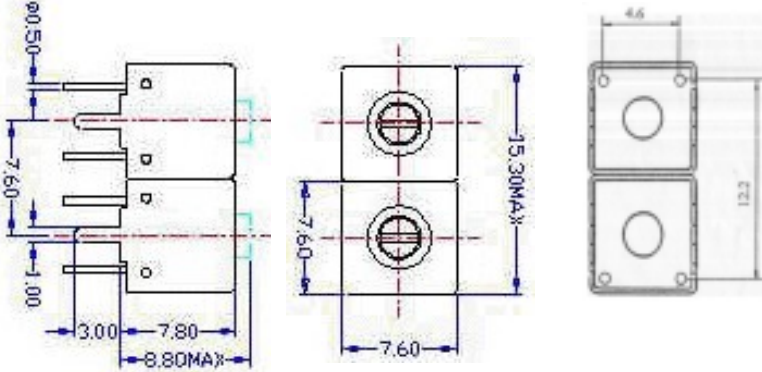


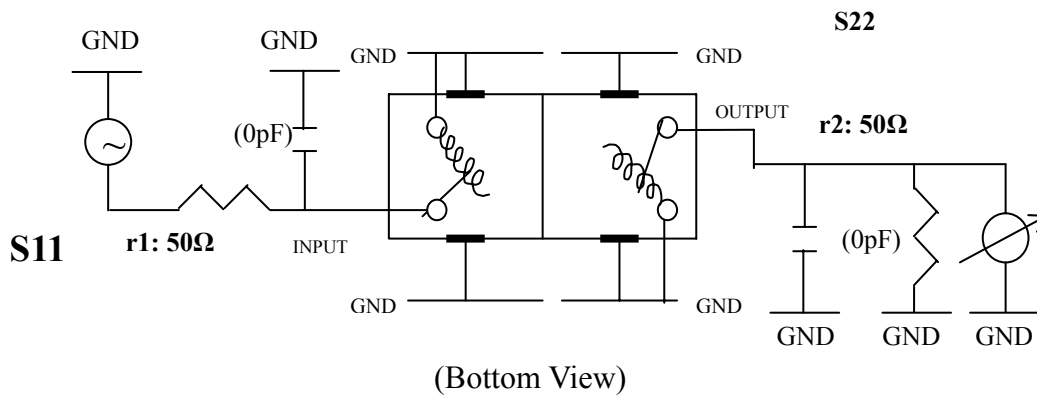
VHF UHF Helical Filter Specification Sheet

Customer Name		Temwell's Part No.	TDS2143D-740M
Approval No. /dated	0709064APR	Customer's Part No.	2143D 740M
Work Instruction No.	0709064C	Date	Feb.18.2008

(1)Pin Position	(2)Size Diagram
 <p>(D) Type Bottom View</p>	

(3)Electric Charasteric	
Item	Specify
Center Freq.(Fo) +/- 0.5 %	740 MHz
Insertion Loss	Typ. 3.5 dB
-3 dB Bandwidth	Typ. 17 MHz
Sensitivity (Attenuation)	Fo - 50 MHz Typ. 25 dBc
	Fo + 50 MHz Typ. 21 dBc
	Fo - (100) MHz Typ. 38 dBc
	Fo +(100) MHz Typ. 31 dBc
Return Loss	Min. 12 dB
Ripple	< 1 dB
Impedance	In / Out : 50 Ω
(4)Torque for Tuning Screw	>60gf cm
(5)Temperature Condition:	
Operating Temperature	0 ~ +60
Storage Temperature	-20 ~ +70
(6)Input Power	> 0.5Watt

(7)Measuring Circuit: Easy to match Impedance 50Ω/50Ω by parallel with about (0) pF.



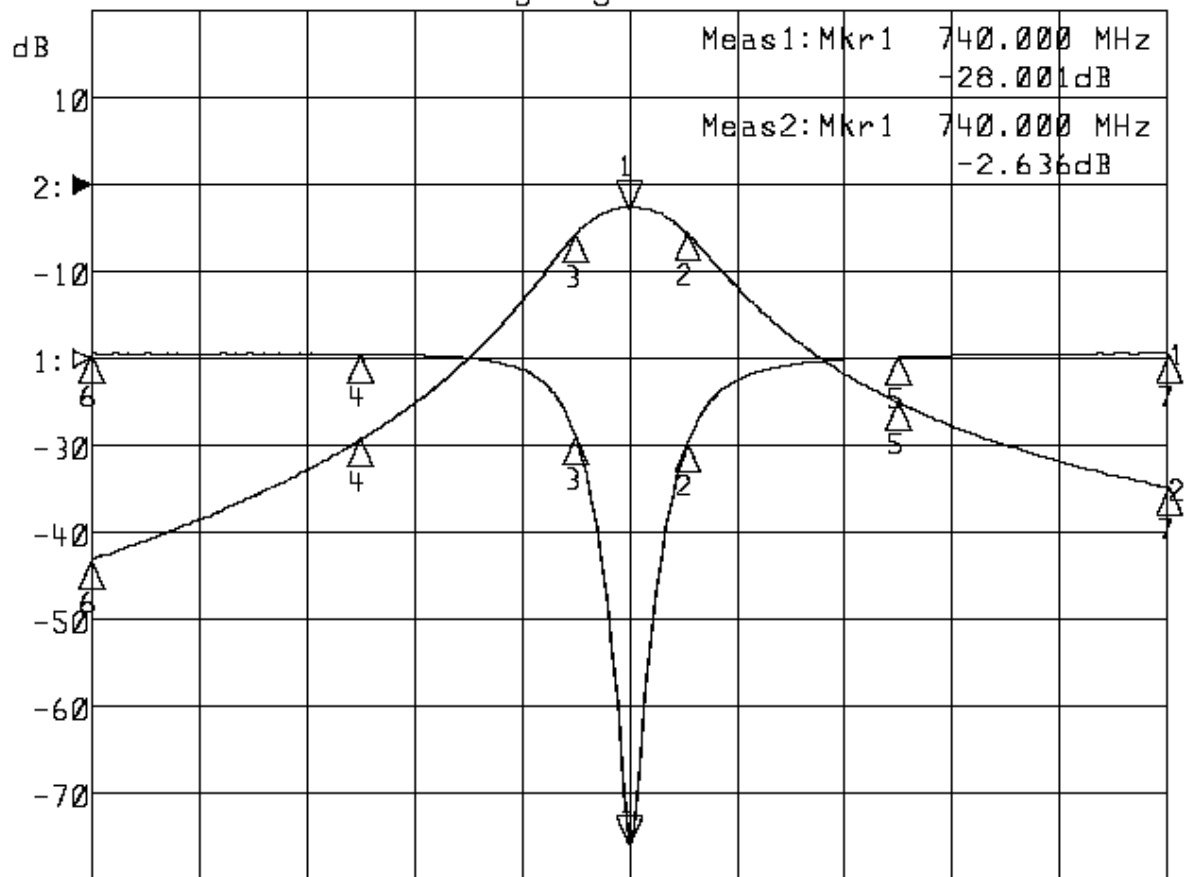
Approval C.Y.Chang	Supervisor C.S.Chang	Designer Y.H.Chuan	Aperture size 7S2(4*4.3)F*(4.0B) 7S046LB4
-----------------------	-------------------------	-----------------------	---

TEMWELL CORPORATION

Performance-TDS2143D-740M

0709064C

▽1: S11 Refl Port1 Log Mag 5.0 dB/ Ref 0.00 dB C
 ▽2: S21 Fwd Trans Log Mag 10.0 dB/ Ref 0.00 dB C



Meas1: Mkr1 740.000 MHz
 -28.001 dB
 Meas2: Mkr1 740.000 MHz
 -2.636 dB

Center 740.000 MHz

Span 200.000 MHz

1: Mkr (MHz)	dB	2: Mkr (MHz)	dB
1> 740.0000	-28.001	1> 740.0000	-2.636
2: 750.8667	-4.921	2: 750.8667	-5.621
3: 730.0667	-4.451	3: 730.0667	-5.665
4: 690.0000	0.224	4: 690.0000	-29.342
5: 790.0000	0.088	5: 790.0000	-25.046
6: 640.0000	0.288	6: 640.0000	-43.127
7: 840.0000	0.282	7: 840.0000	-34.834