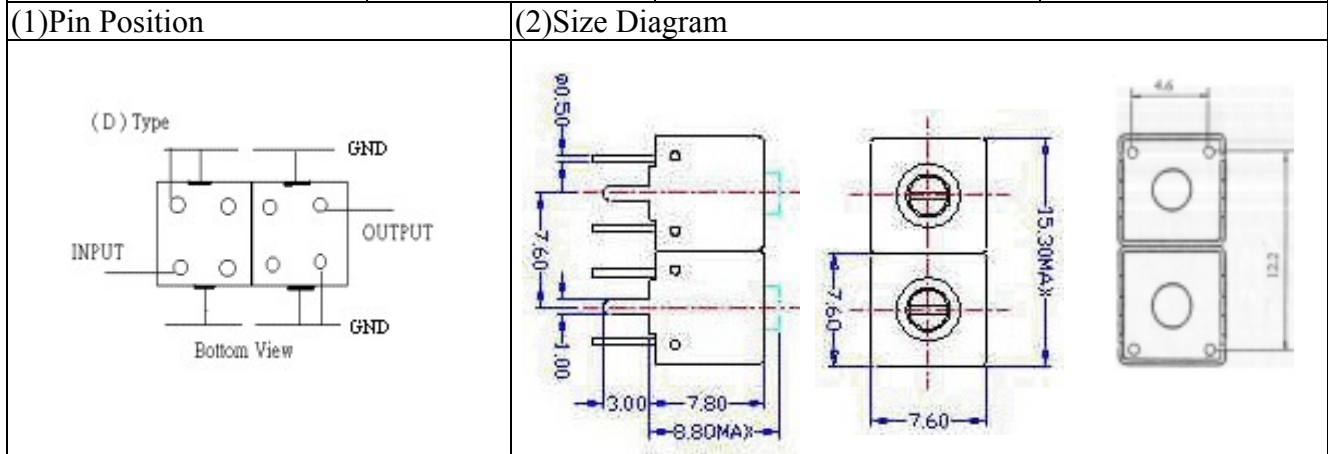


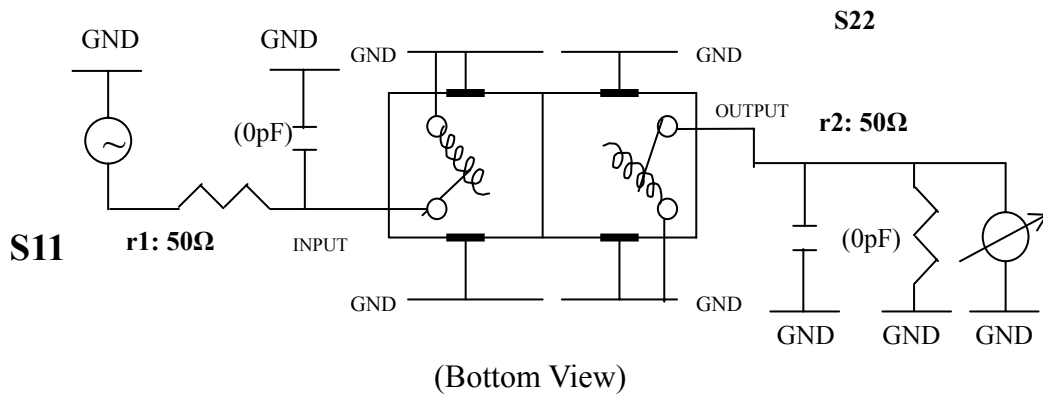
VHF UHF Helical Filter Specification Sheet

Customer Name		Temwell's Part No.	TDS2144D-796M
Approval No. /dated	0709067APR	Customer's Part No.	2144D 796M
Work Instruction No.	0709067C	Date	Feb.18.2008



(3)Electric Charasteric		Item	Specify
Center Freq.(Fo) +/- 0.5 %			796 MHz
Tunable Range			796±5 MHz
Insertion Loss		Typ.	3.0 dB
-3 dB Bandwidth		Typ.	22 MHz
Sensitivity (Attenuation)	Fo - 100 MHz	Typ.	33 dBc
	Fo + 100 MHz	Typ.	28 dBc
	Fo - ()MHz	Typ.	dBc
	Fo +()MHz	Typ.	dBc
Return Loss		Min.	12 dB
Ripple			< 1 dB
Impedance			In / Out : 50 Ω
(4)Torque for Tuning Screw			> 60gf cm
(5)Temperature Condition:			
Operating Temperature			0 ~ +60
Storage Temperature			-20 ~ +70
(6)Input Power			> 0.5Watt

(7)Measuring Circuit: Easy to match Impedance 50Ω by parallel with about (0) pF.

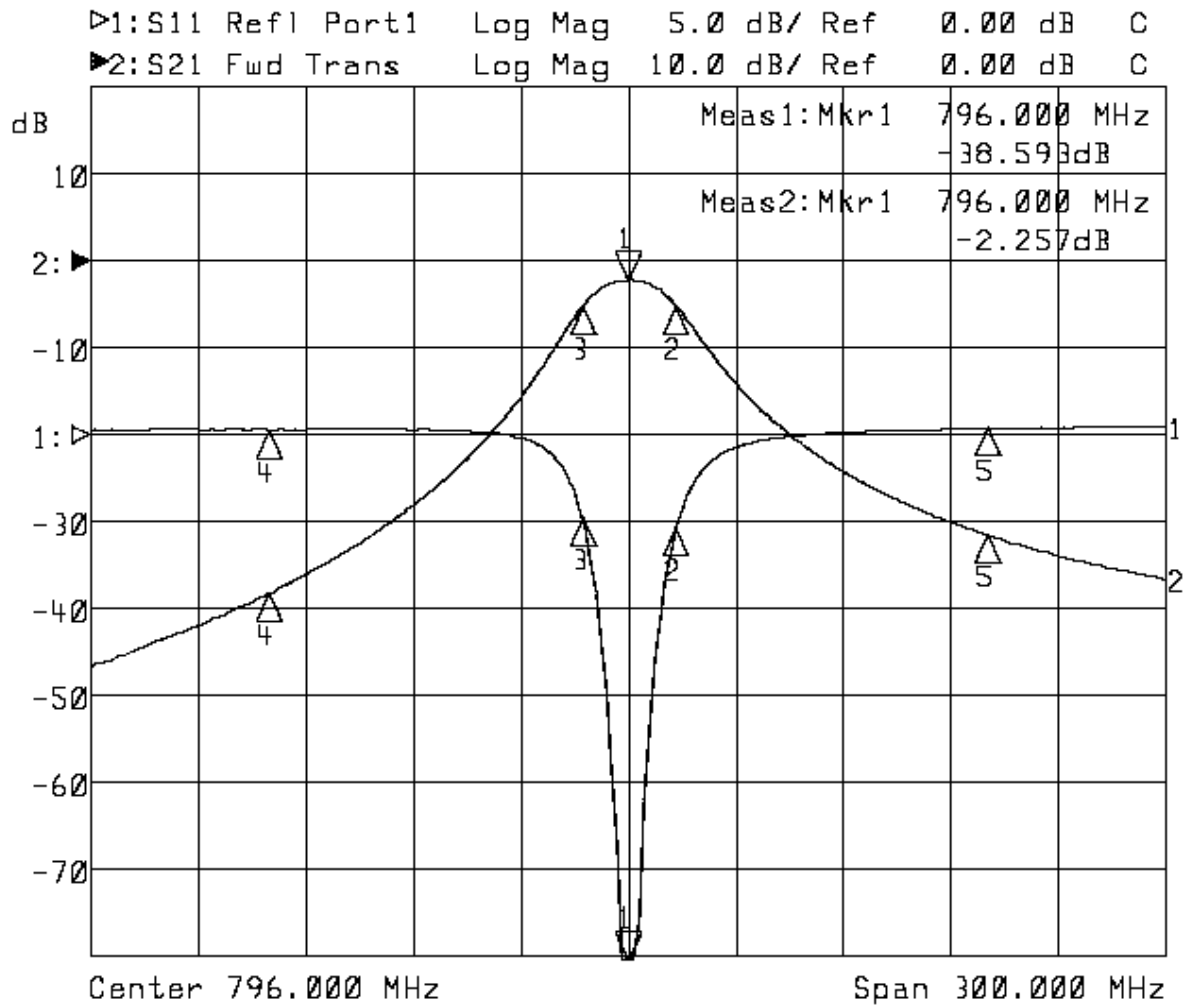


Approval	Supervisor	Designer	Aperture size
C.Y.Chang	C.S.Chang	Y.H.Chuan	7S2(4*5.1)F*(4.0B) 7S046LB4

TEMWELL CORPORATION

Performance-TDS2144D-796M

0709067C



1: Mkr (MHz)	dB	2: Mkr (MHz)	dB
1> 796.0000	-38.593	1> 796.0000	-2.257
2: 809.4000	-5.405	2: 809.4000	-5.196
3: 783.2000	-4.782	3: 783.2000	-5.260
4: 696.0000	0.293	4: 696.0000	-38.255
5: 896.0000	0.316	5: 896.0000	-31.525