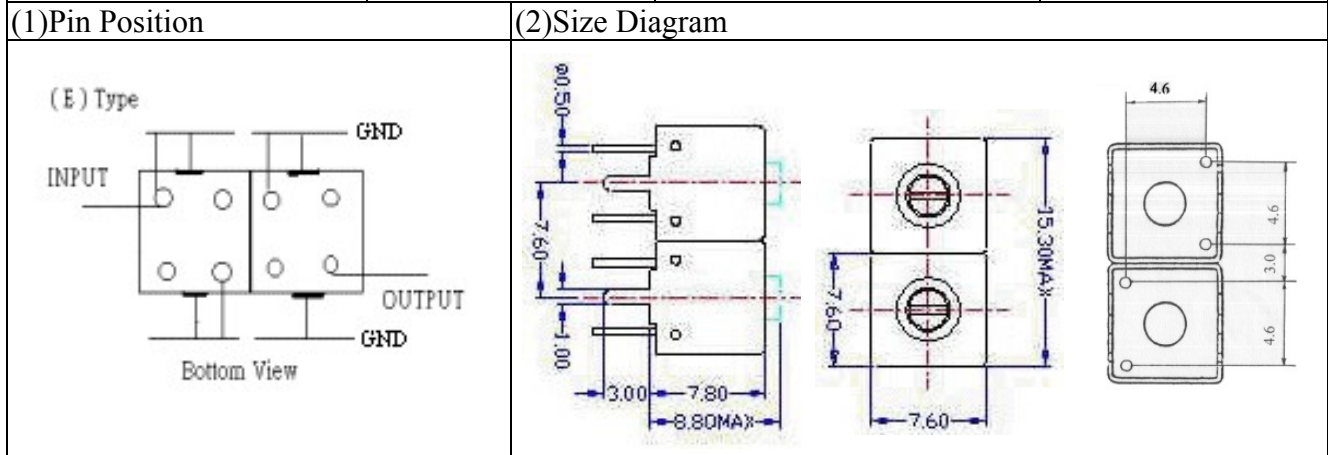


VHF UHF Helical Filter Specification Sheet

Customer Name		Temwell's Part No.	TDS2321E-823.5M
Approval No. /dated		Temwell's Print Name	2321E 823.5M
Work Instruction No.	201202104BD	Date	Feb.20.2012



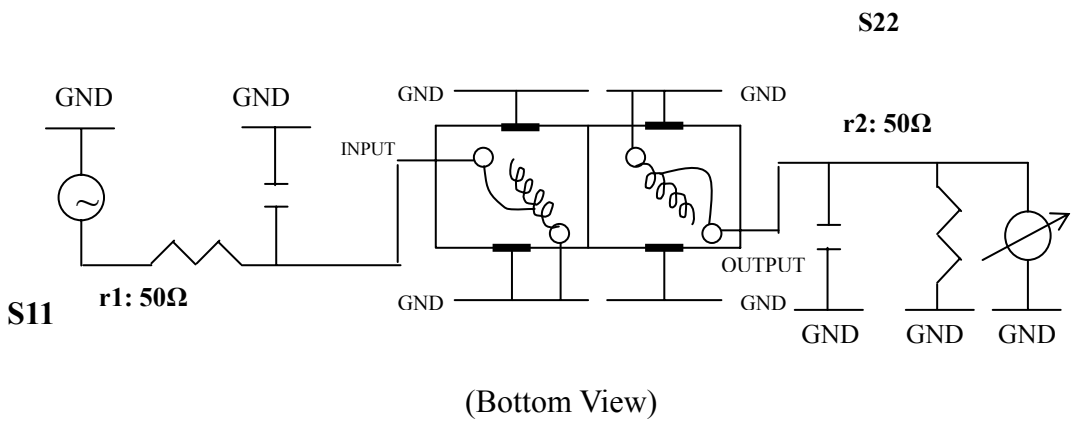
(3) Electric Characteristic			
Item	Specify	Performance	
Center Freq.(Fo) +/- 0.75 %	823.5 MHz	823.5	MHz
Insertion Loss	Typ 2.5 dB	1.61	dB
-3 dB Bandwidth	Typ. 40 MHz	43.3	MHz
Sensitivity (Attenuation)	Fo - 100 MHz	Typ. 15	dB
	Fo + 100 MHz	Typ. 25	dB
	Fo - ()MHz	Typ.	dBc
	Fo +()MHz	Typ.	dBc
Return Loss	Min. 12 dB	28.7	dB
Ripple	< 1 dB		dB
Impedance	In / Out : 50 Ω	In / Out : 50 Ω	

(4) Torque for Tuning Screw > 60gf · cm

(5) Temperature Condition:	
Operating Temperature	-20°C ~ +70°C
Storage Temperature	-30°C ~ +80°C

(6) Input Power > 1Watt

(7) Measuring Circuit: ※Easy to match Impedance 50Ω/ by parallel with about (--) .



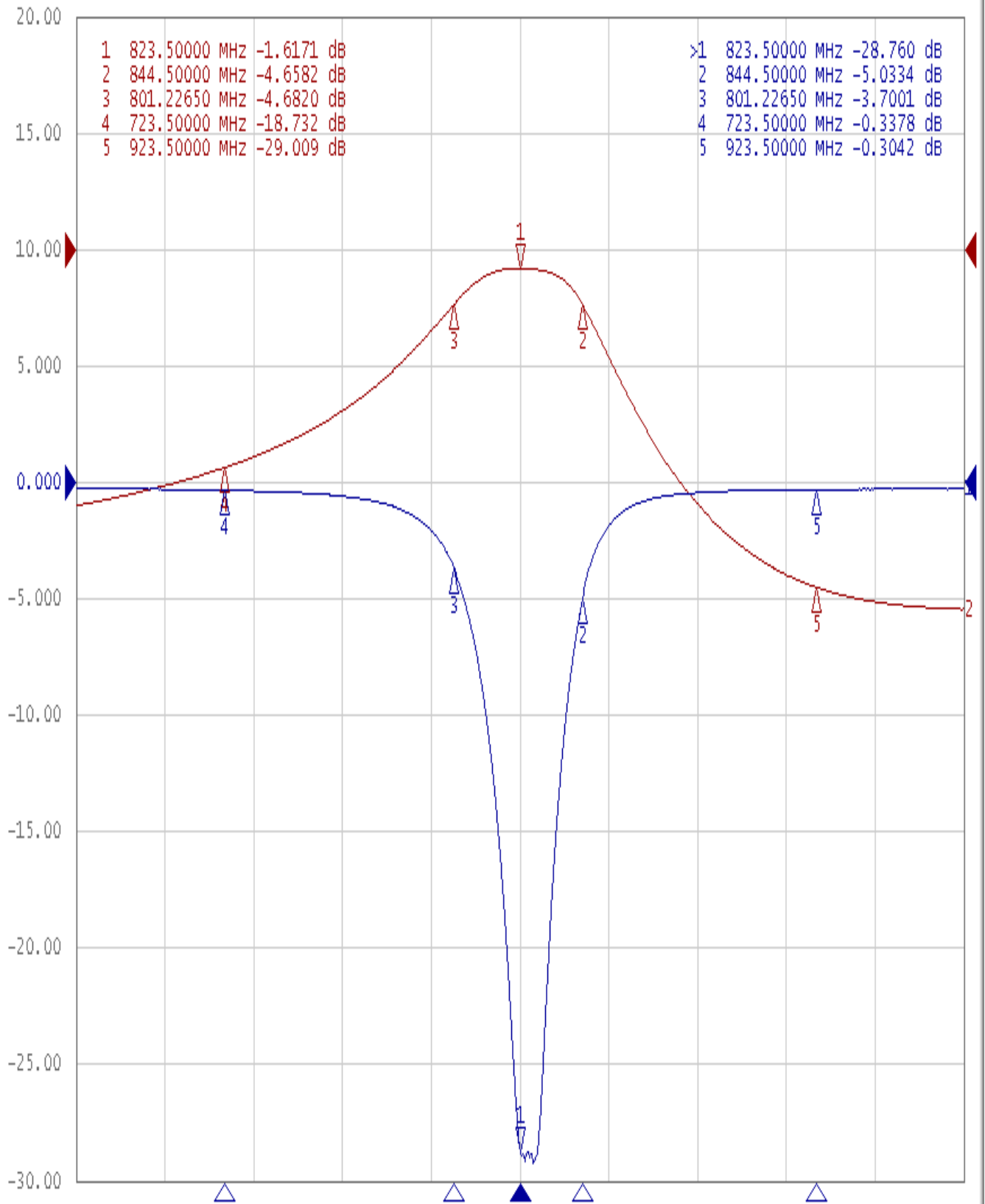
Approval	Supervisor	Designer	Aperture size
C.Y.Chang	C.K.Chang	P.H.Chiang	7S2S(4*4.3)(4.38) 7S046LB6 -J1

TEMWELL CORPORATION

Performance-TDS2321E-823.5M

201202104BD

▶ Tr1 S11 Log Mag 5.000dB/ Ref 0.000dB [F2]
Tr2 S21 Log Mag 10.00dB/ Ref 0.000dB [F2]



1 Center 823.5 MHz

IFBW 70 kHz

Span 300 MHz Cor !