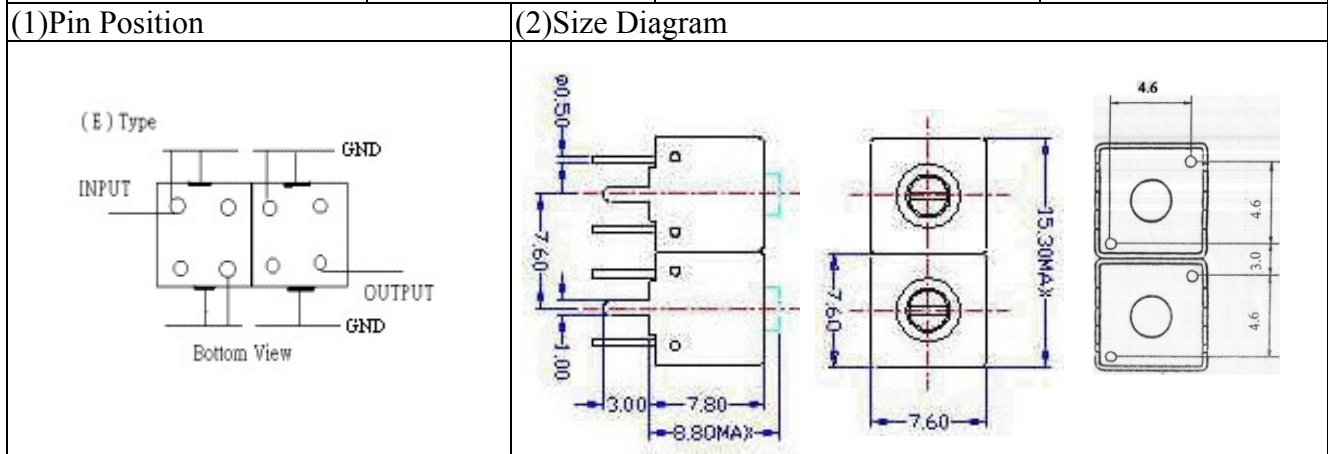
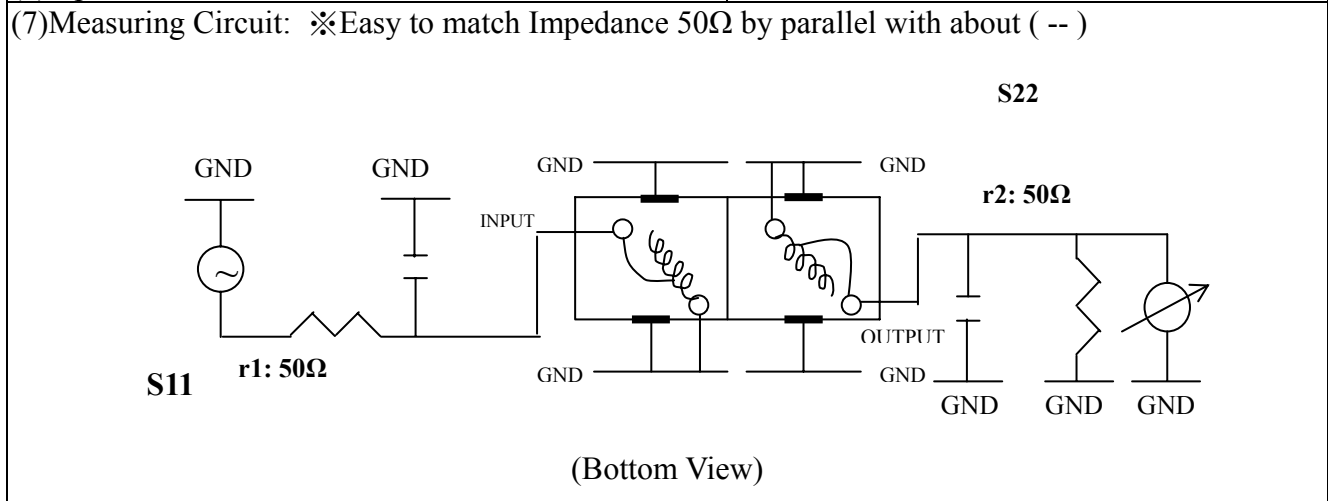


VHF UHF Helical Filter Specification Sheet

Customer Name		Temwell's Part No.	TDS2321E-836.5M
Approval No. /dated		Temwell's Print No.	2321E 836.5M
Work Instruction No.	201112090C	Date	Dec.28.2011



(3) Electric Charasteric		Item	Specify
Center Freq.(Fo) +/- 0.5 %			836.5 MHz
Insertion Loss		Typ.	2.5 dB
-3 dB Bandwidth		Typ.	40 MHz
Sensitivity (Attenuation)	Fo - 100 MHz	Typ.	15 dB
	Fo + 100 MHz	Typ.	25 dB
	Fo - ()MHz	Typ.	dBc
	Fo +()MHz	Typ.	dBc
Return Loss		Min.	12 dB
Ripple			< 1 dB
Impedance			In / Out : 50 Ω
(4) Torque for Tuning Screw			> 60gf · cm
(5) Temperature Condition:			
Operating Temperature			0°C ~ +60°C
Storage Temperature			-20°C ~ +70°C
(6) Input Power			> 1Watt



Approval C.Y.Chang	Supervisor C.K.Chang	Designer F.L.Lai	Aperture size 7S2S(4*4.3)(4.35) 7S046LB6(J1)
-----------------------	-------------------------	---------------------	--

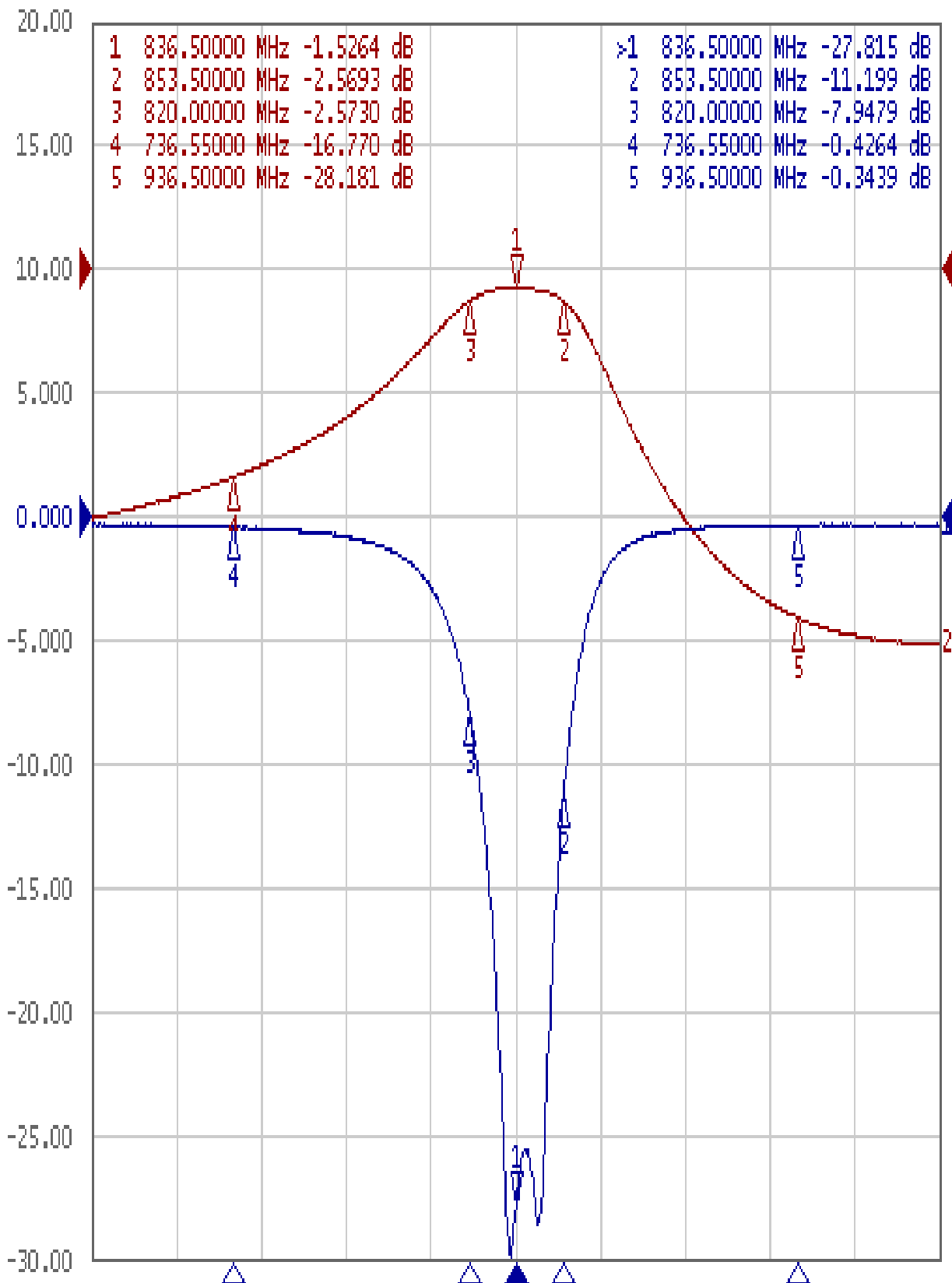
TEMWELL CORPORATION

Performance-TDS2321E-836.5M

201112090C

Tr1 511 Log Mag 5.000dB/ Ref 0.000dB [F2]

Tr2 521 Log Mag 10.00dB/ Ref 0.000dB [F2]



1 Center 836.5 MHz

IFBW 70 kHz

Span 300 MHz Cor !