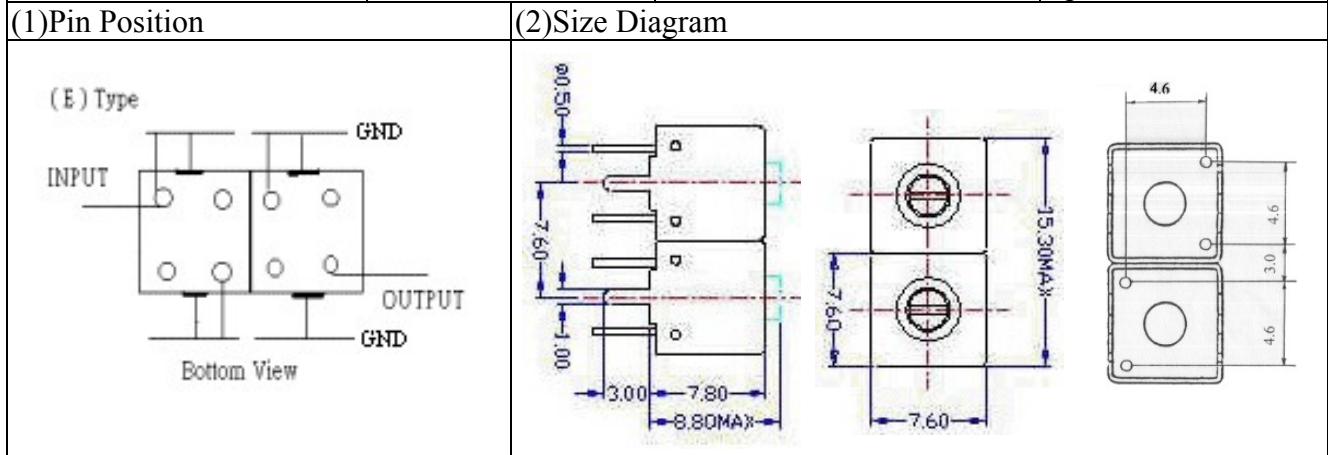


VHF UHF Helical Filter Specification Sheet

Customer Name		Temwell's Part No.	TDS2323E-902.5M
Approval No. /dated		Temwell's Print Name	2323E 902.5M
Work Instruction No.	201104074CD	Date	Apr.08.2011



(3) Electric Characteristic

Item	Specify	
Center Freq.(Fo) +/- 0.75 %	902.5	MHz
Insertion Loss	Typ. 2.5	dB
-3 dB Bandwidth	Typ. 40	MHz
Sensitivity (Attenuation)	Fo - 100 MHz	Typ. 15 dB
	Fo + 100 MHz	Typ. 25 dB
	Fo - ()MHz	Typ. dB
	Fo +()MHz	Typ. dB
Return Loss	Min. 12	dB
Ripple	< 1	dB
Impedance	In / Out : 50 Ω	

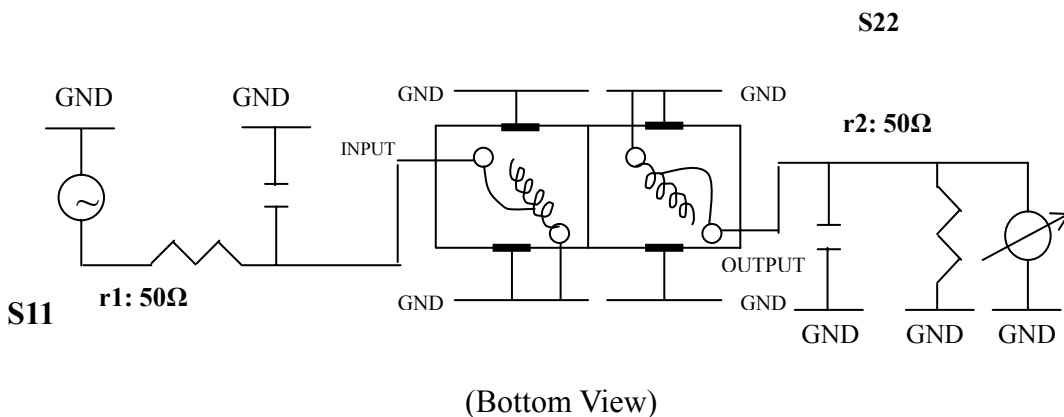
(4) Torque for Tuning Screw > 60gf · cm

(5) Temperature Condition:

Operating Temperature	-30°C ~ +70°C
Storage Temperature	-30°C ~ +70°C

(6) Input Power > 1Watt

(7) Measuring Circuit: ※Easy to match Impedance 50Ω/ by parallel with about (--) pF.



Approval	Supervisor	Designer	Aperture size
C.Y.Chang	C.K.Chang	P.H.Chiang	7S2S(4*4.3)(4.36) 7S046LB6

TEMWELL CORPORATION

Performance-TDS2323E-902.5M

201104074CD

