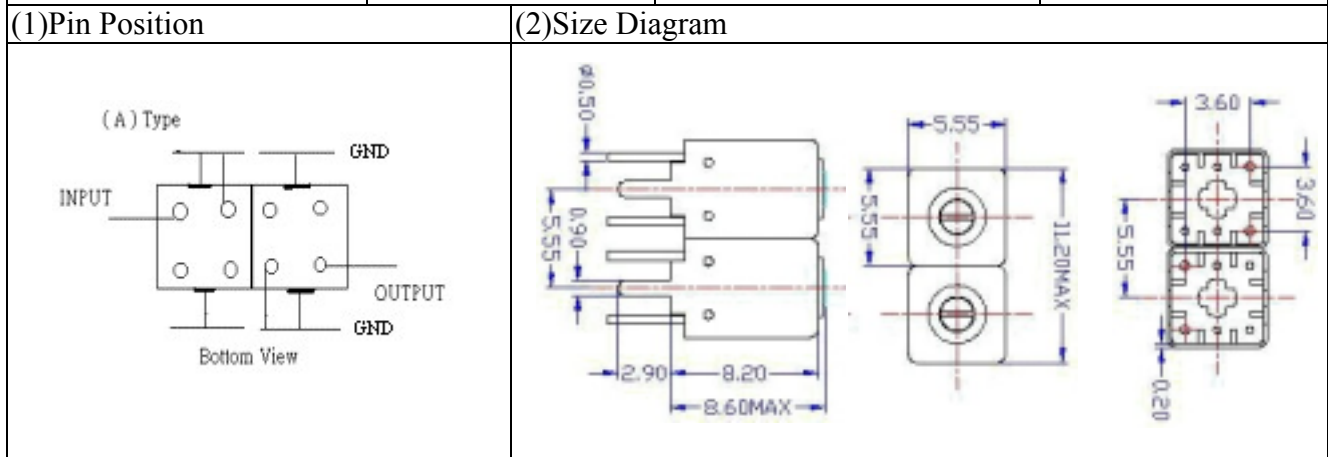
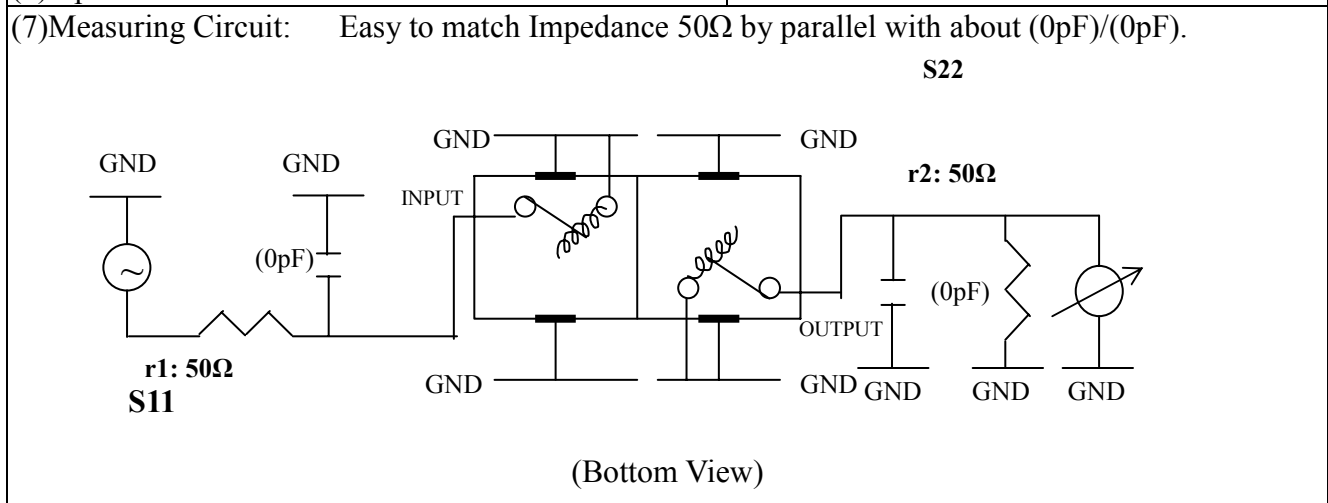


# VHF UHF Helical Filter Specification Sheet

Customer Name		Temwell's Part No.	TDW2437A-435M
Approval No. /dated	0811013C	Temwell's Print Name.	2437A 435M
Work Instruction No.	200811013C	Date	Dec.10.2008



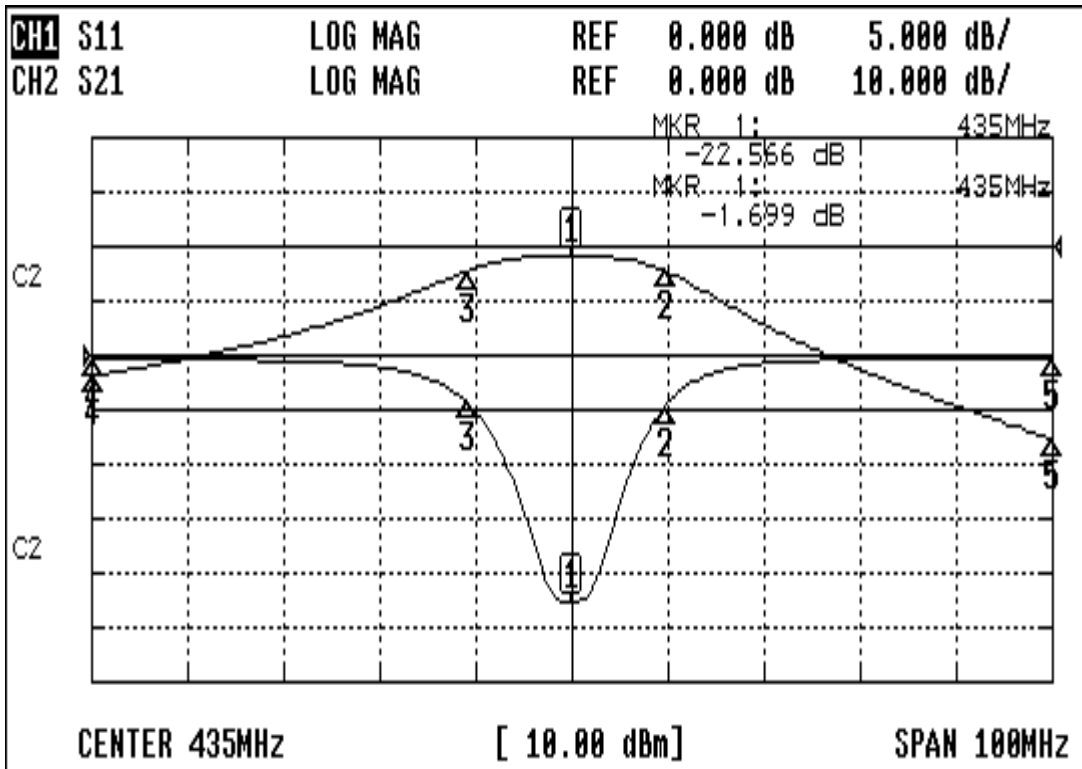
(3) Electric Characteristic	
Item	Specify
Center Freq.(Fo) +/- 0.5%	435 MHz
Insertion Loss	Typ. 2.5 dB
-3 dB Bandwidth	Typ. 18 MHz
Sensitivity (Attenuation)	Fo - 50 MHz Typ. 20 dBc
	Fo + 50 MHz Typ. 30 dBc
	Fo -( ) MHz Typ. dBc
	Fo +( )MHz Typ. dBc
Return Loss	Min. 12 dB
Ripple	< 1 dB
Impedance	In / Out : 50 Ω
(4) Torque for Tuning Screw	>60gf · cm
(5) Temperature Condition:	
Operating Temperature	0 ~ +60
Storage Temperature	-20 ~ +70
(6) Input Power	> 0.5Watt



Approval	Supervisor	Designer	Aperture size
C.Y.Chang	C.S.Chang	W.S.Chen	5W2S(3.8*4.5) 5HW024RB3
TEMWELL CORPORATION			

# Performance-TDW2437A-435M

## 200811013C



### CH1 MARKER LIST

1:	435.000MHz	-22.566 dB
2:	444.916MHz	-4.434 dB
3:	424.000MHz	-4.249 dB
4:	385.000MHz	-0.276 dB
5:	485.000MHz	-0.215 dB

### CH2 MARKER LIST

1:	435.000MHz	-1.699 dB
2:	444.916MHz	-4.646 dB
3:	424.000MHz	-4.627 dB
4:	385.000MHz	-23.749 dB
5:	485.000MHz	-35.336 dB