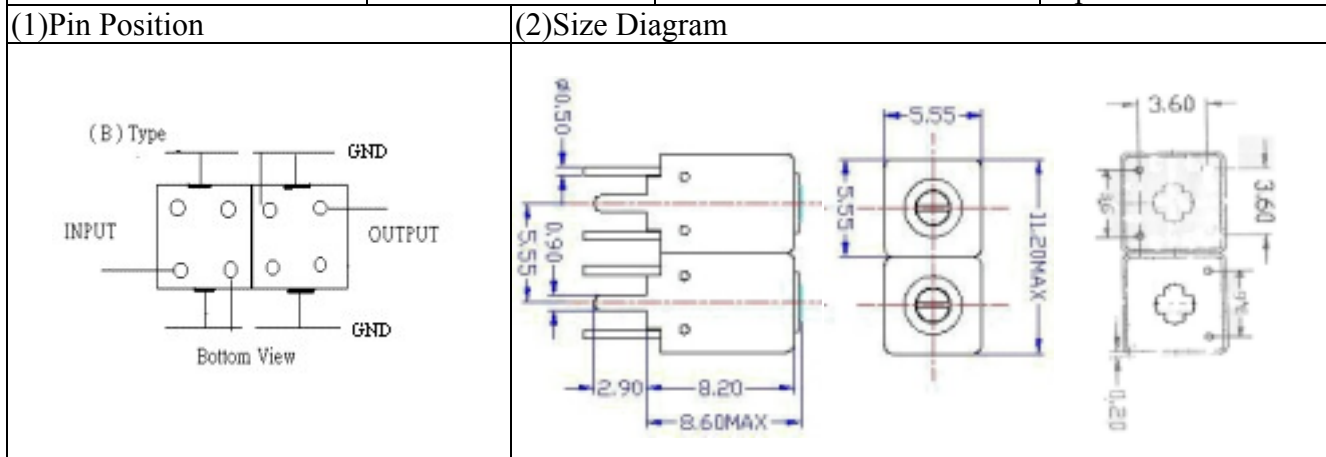


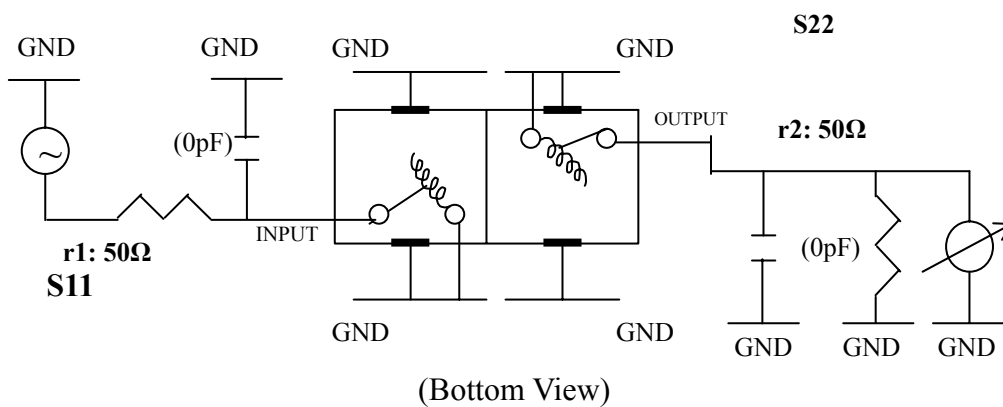
# VHF UHF Helical Filter Specification Sheet

Customer Name		Temwell's Part No.	TDW2513B-864M
Approval No. /dated	200809005CD	Temwell's print Name.	2513B 864M
Work Instruction No.	200809005CD	Date	Sep.12.2008



(3)Electric Charasteric	
Item	Specify
Center Freq.(Fo) +/- 0.5 %	864 MHz
Insertion Loss	Typ. 5.5 dB
-3 dB Bandwidth	Typ. 13 MHz
Sensitivity (Attenuation)	Fo - 30 MHz Typ. 16 dBc
	Fo + 30 MHz Typ. 13 dBc
	Fo - ( )MHz Typ. dBc
	Fo +( )MHz Typ. dBc
Return Loss	Min. 12 dB
Ripple	< 1 dB
Impedance	In / Out : 50 Ω
(4)Torque for Tuning Screw	> 60gf cm
(5)Temperature Condition:	
Operating Temperature	0 ~ +60
Storage Temperature	-20 ~ +70
(6)Input Power	> 0.5Watt

(7)Measuring Circuit: Easy to match Impedance 50Ω by parallel with about (0pF)/(0pF)

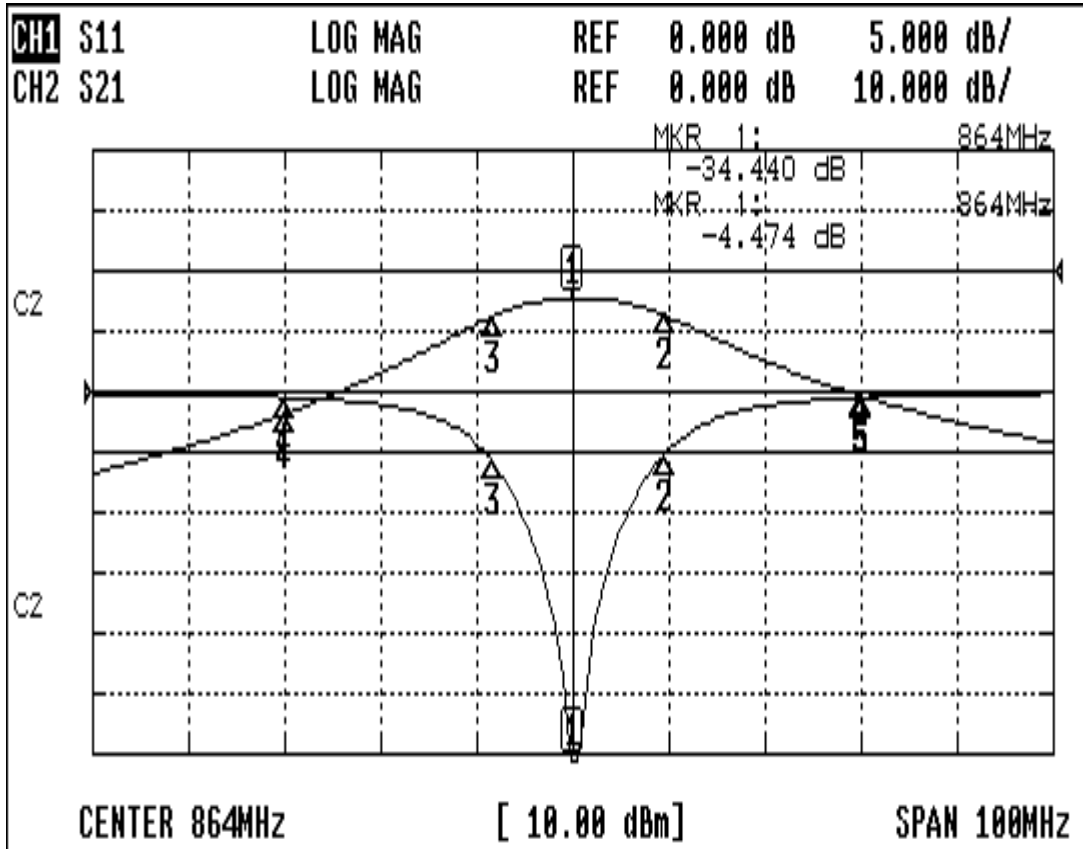


Approval C.Y.Chang	Supervisor C.S.Chang	Designer C.H.Yeh	Aperture size 5W2S(3.8*3.5) (5HW024RB3)
-----------------------	-------------------------	---------------------	---

TEMWELL CORPORATION

# Performance-TDW2513B-864M

## 200809005CD



### CH1 MARKER LIST

1:	864.000MHz	-34.440 dB
2:	873.666MHz	-5.031 dB
3:	855.666MHz	-5.754 dB
4:	834.000MHz	-0.470 dB
5:	894.000MHz	-0.465 dB
6:		
7:		
8:		
9:		
10:		

### CH2 MARKER LIST

1:	864.000MHz	-4.474 dB
2:	873.666MHz	-7.417 dB
3:	855.666MHz	-7.479 dB
4:	834.000MHz	-23.603 dB
5:	894.000MHz	-20.692 dB
6:		
7:		
8:		
9:		
10:		