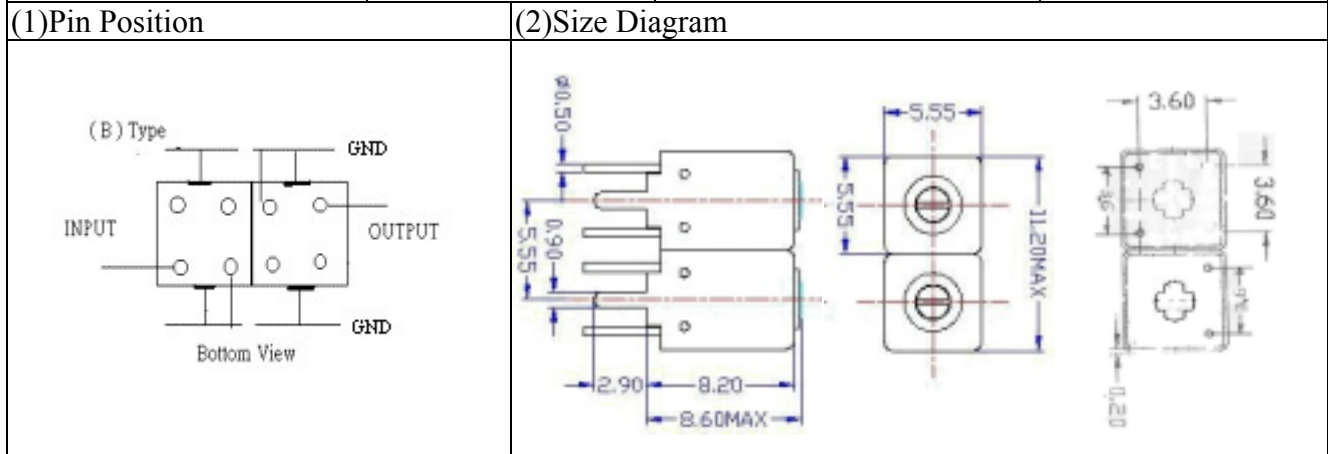


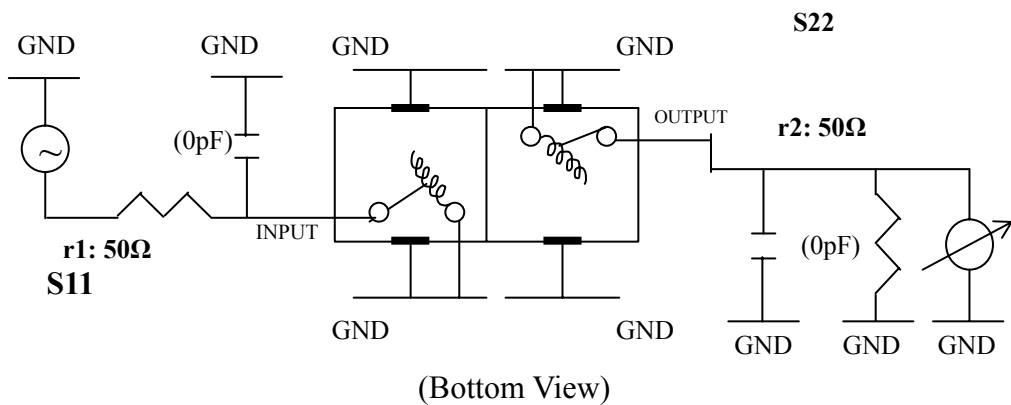
VHF UHF Helical Filter Specification Sheet

Customer Name		Temwell's Part No.	TDW2550B-867.5M
Approval No. /dated	0702052APR	Temwell's print Name.	2550B 867.5M
Work Instruction No.	0806045A	Date	Jun.25.2008



(3)Electric Charasteric	
Item	Specify
Center Freq.(Fo) +/- 0.75 %	867.5 MHz
Tunable Range:	867.5±10 MHz
Insertion Loss	Typ. 3.0 dB
-3 dB Bandwidth	Typ. 23 MHz
Sensitivity (Attenuation)	Fo - 50 MHz Typ. 17 dBc
	Fo + 50 MHz Typ. 13 dBc
	Fo - ()MHz Typ. dBc
	Fo +()MHz Typ. dBc
Return Loss	Min. 12 dB
Ripple	< 1 dB
Impedance	In / Out : 50 Ω
(4)Torque for Tuning Screw	
> 60gf cm	
(5)Temperature Condition:	
Operating Temperature	-30 ~ +70
Storage Temperature	-30 ~ +80
(6)Input Power	
> 0.5Watt	

(7)Measuring Circuit: Easy to match Impedance 50Ω by parallel with about (0pF)/(0pF)

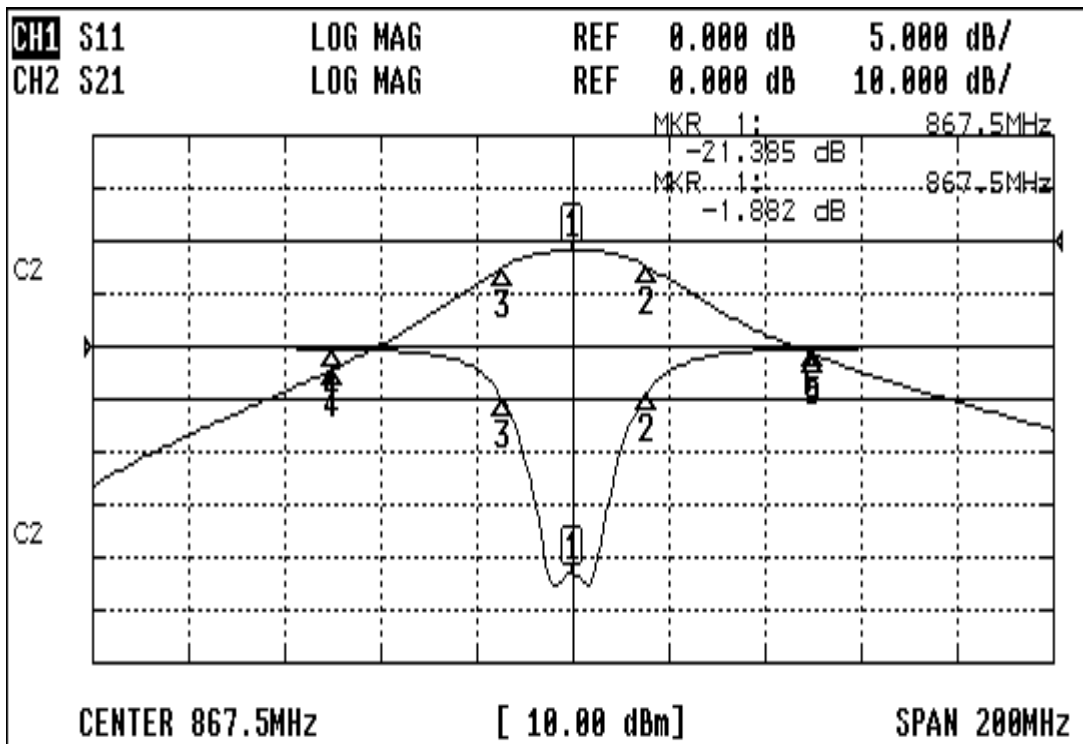


Approval	Supervisor	Designer	Aperture size
C.Y.Chang	C.S.Chang	W.S.Chen	5W2S(3.8*3.5) 5HW024RB3

TEMWELL CORPORATION

Performance-TDW2550B-867.5M

0806045A



CH1 MARKER LIST

1:	867.500MHz	-21.396 dB
2:	883.000MHz	-4.395 dB
3:	853.000MHz	-4.950 dB
4:	817.500MHz	-0.206 dB
5:	917.500MHz	-0.215 dB
6:		
7:		
8:		
9:		
10:		

CH2 MARKER LIST

1:	867.500MHz	-1.882 dB
2:	883.000MHz	-4.854 dB
3:	853.000MHz	-4.885 dB
4:	817.500MHz	-24.292 dB
5:	917.500MHz	-21.482 dB
6:		
7:		
8:		
9:		
10:		