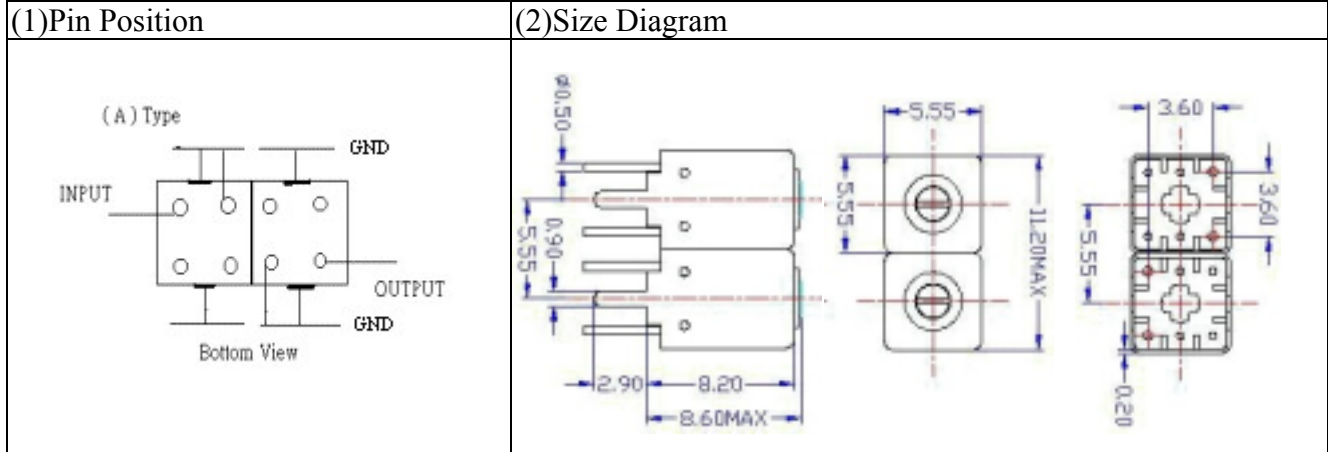


VHF UHF Helical Filter Specification Sheet

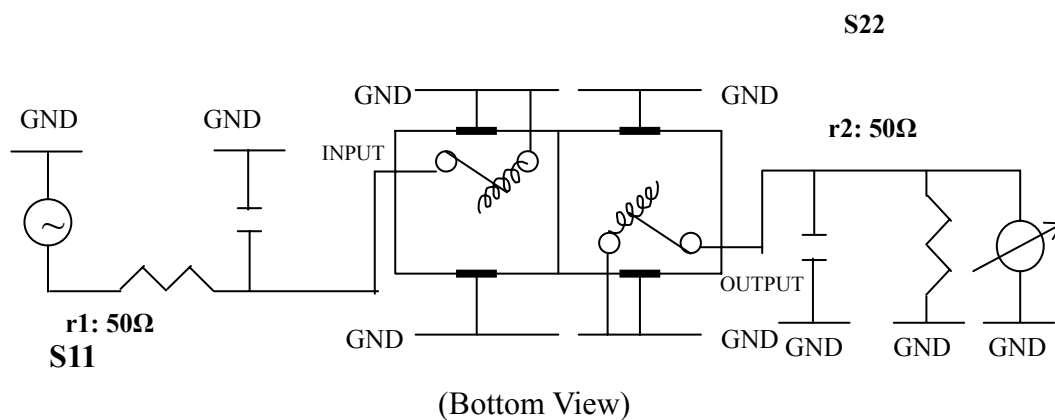
Customer Name		Temwell's Part No.	TDW2897A-460M
Approval No. /dated		Temwell's print name.	2897A 460M
Work Instruction No.	201007004A	Date	Aug.13.2010



(3)Electric Charasteric

Item	Specify	
Center Freq.(Fo) +/- 0.5 %	460	MHz
Insertion Loss	Typ. 2.5	dB
-3 dB Bandwidth	Typ. 20	MHz
Sensitivity (Attenuation)	Fo - 50 MHz	Typ. 15 dBc
	Fo + 50 MHz	Typ. 23 dBc
	Fo - ()MHz	Typ. dBc
	Fo +()MHz	Typ. dBc
Return Loss	Min. 12	dB
Ripple	< 1 dB	
Impedance	In / Out : 50 Ω	
(4)Torque for Tuning Screw	> 60gf cm	
(5)Temperature Condition:		
Operating Temperature	0 ~ +60	
Storage Temperature	-20 ~ +70	
(6)Input Power	> 0.5Watt	

(7)Measuring Circuit: Easy to match Impedance 50Ω by parallel with about (--).

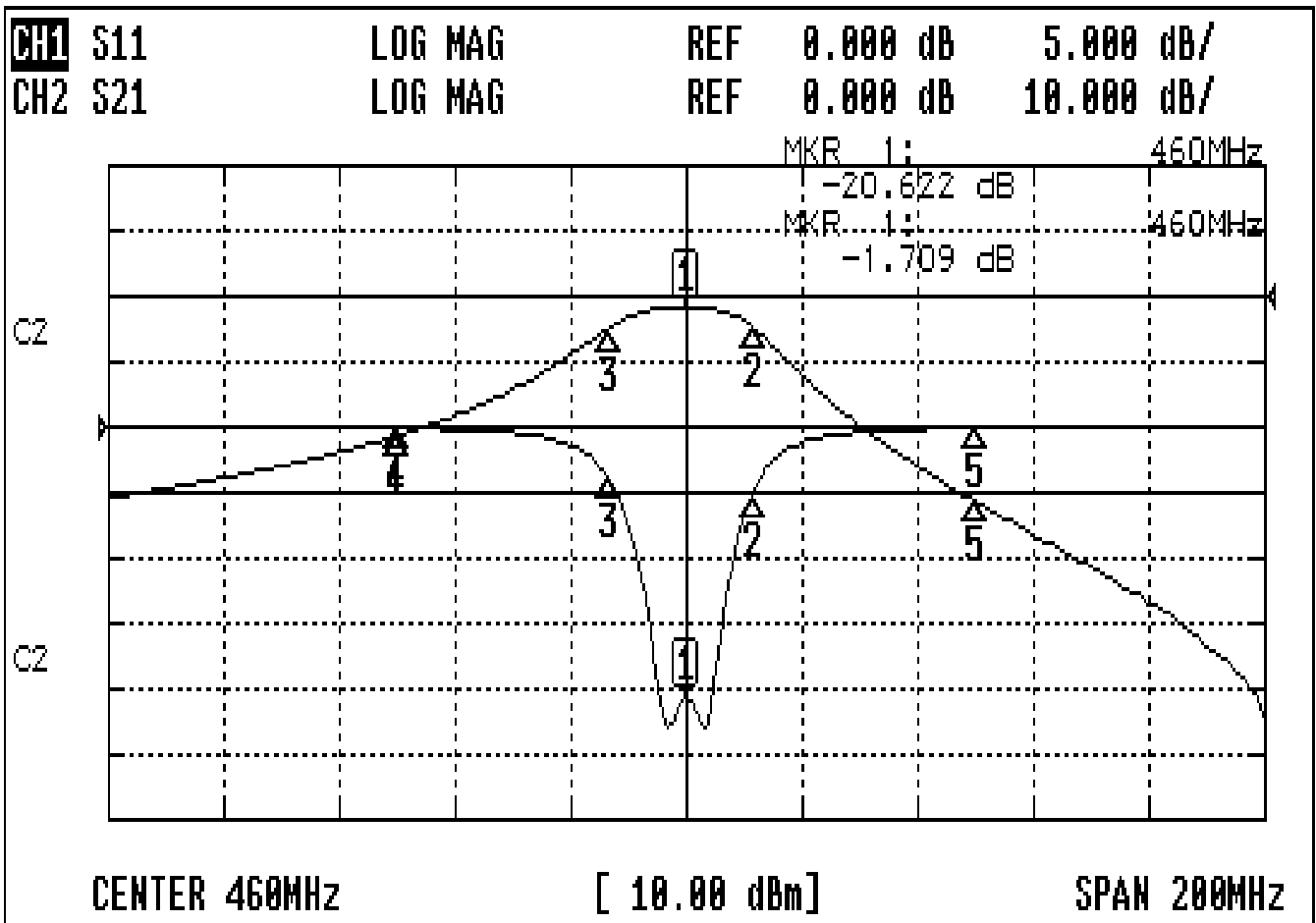


Approval	Supervisor	Designer	Aperture size
C.Y.Chang	C.K.Chang	Y.H.Yeh	5W2S(3.8*4.0)(4.06) 5HW020RB3.5

TEMWELL CORPORATION

Performance-TDW2897A-460M

201007004A



CH1 MARKER LIST

1:	460.000MHz	-20.625 dB
2:	471.500MHz	-5.102 dB
3:	446.666MHz	-3.928 dB
4:	410.000MHz	-0.082 dB
5:	510.000MHz	-0.069 dB

CH2 MARKER LIST

1:	460.000MHz	-1.709 dB
2:	471.500MHz	-4.715 dB
3:	446.666MHz	-4.791 dB
4:	410.000MHz	-21.340 dB
5:	510.000MHz	-31.401 dB