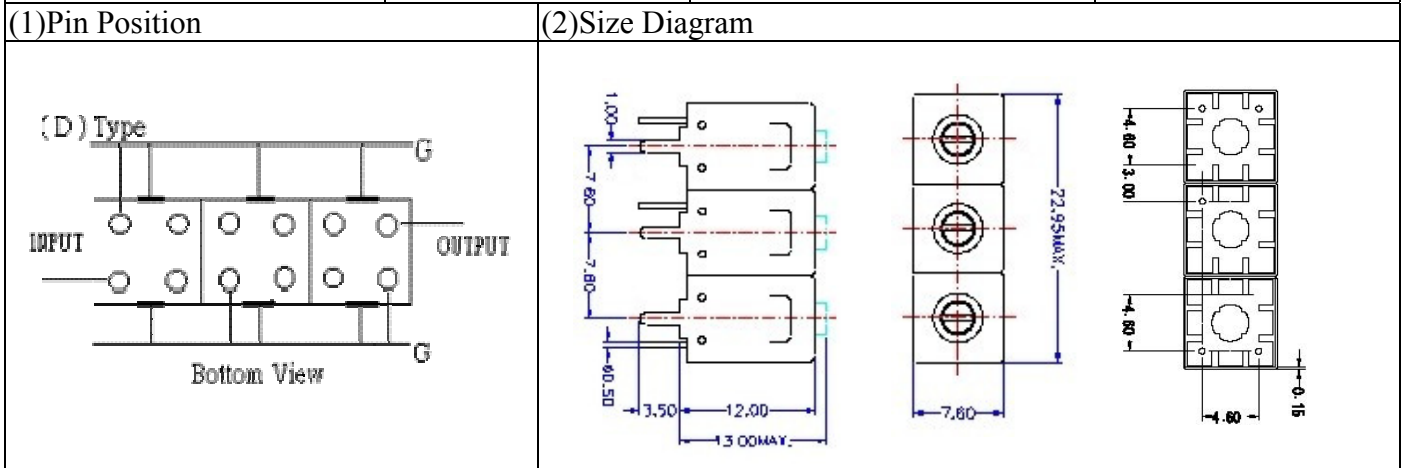


VHF UHF Helical Filter Specification Sheet

Customer Name		Temwell's Part No.	TT6755D1-140M
Approval No. /dated		Customer's Part Name.	6755D1 140M
Work Instruction No.	201401084C	Date	Feb.11.2014

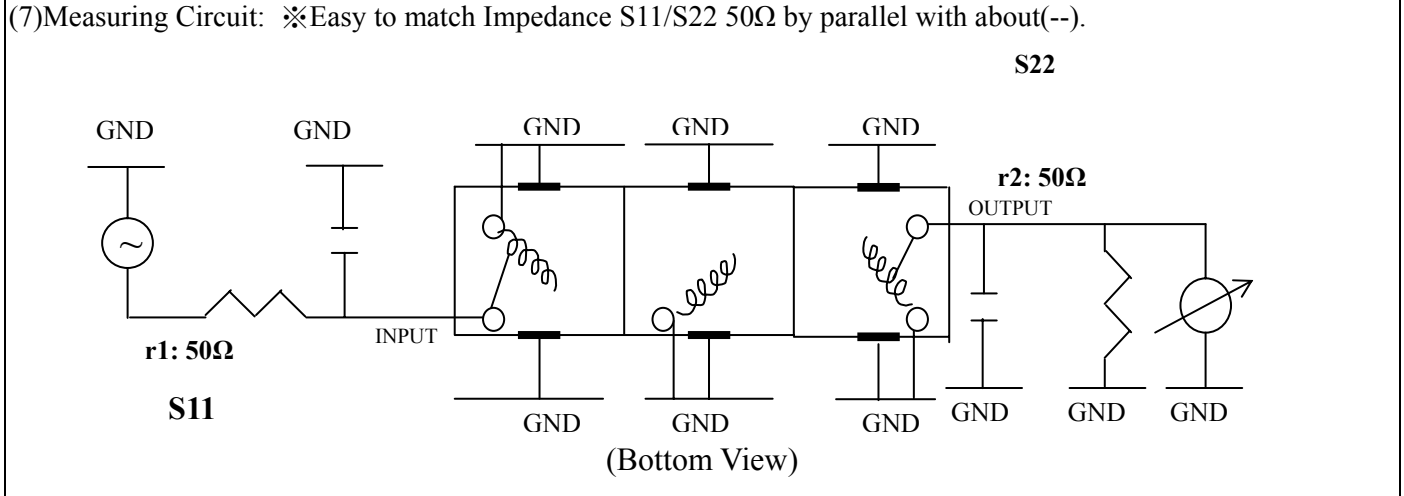


(3) Electric Characteristic	
Item	Specify
Center Freq.(Fo) +/- 0.5 %	140 MHz
Insertion Loss	Typ. 3.5 dB
-3 dB Bandwidth	Typ. 5 MHz
Sensitivity (Attenuation)	Fo - 10 MHz Typ. 31 dBc
	Fo + 10 MHz Typ. 23 dBc
	Fo - ()MHz Typ. dBc
	Fo +()MHz Typ. dBc
Return Loss	Min. 12 dB
Ripple	< 1 dB
Impedance	In / Out : 50 Ω

(4) Torque for Tuning Screw > 100gf · cm

(5) Temperature Condition:	
Operating Temperature	0°C ~ +60°C
Storage Temperature	-20°C ~ +70°C

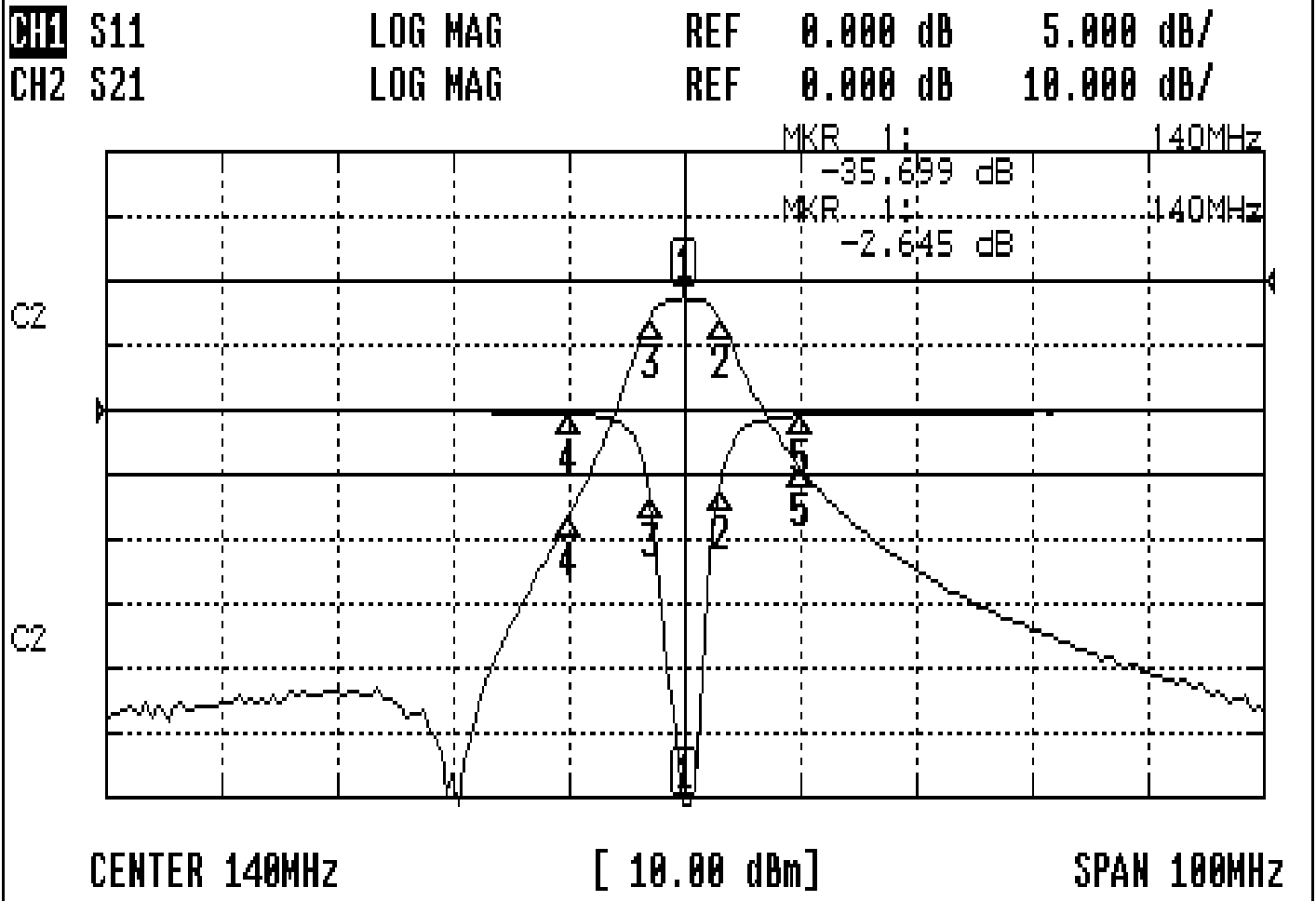
(6) Input Power > 1Watt



Approval	Supervisor	Designer	Aperture size
C.Y.Chang	C.S.Chang	P.H.Chiang	7H3S(4*6.35)(6.38) 7H024LB4

Performance-TT6755D1-140M

201401084C



CH1 MARKER LIST

1:	140.000MHz	-35.688	dB
2:	143.000MHz	-10.175	dB
3:	137.000MHz	-10.690	dB
4:	130.000MHz	-0.284	dB
5:	150.000MHz	-0.396	dB

CH2 MARKER LIST

1:	140.000MHz	-2.645	dB
2:	143.000MHz	-11.100	dB
3:	137.000MHz	-10.660	dB
4:	130.000MHz	-30.601	dB
5:	150.000MHz	-28.875	dB