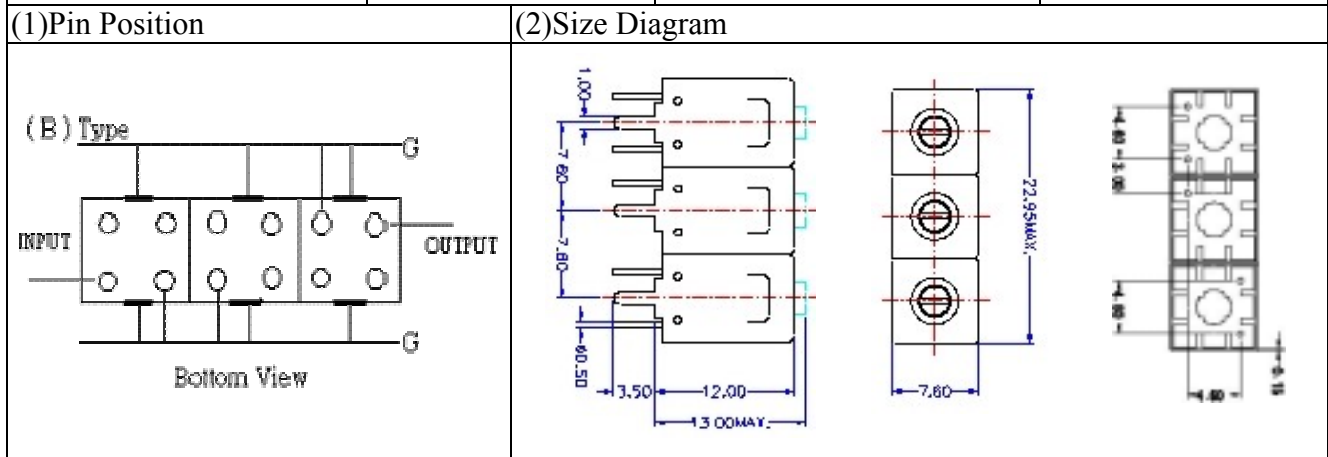


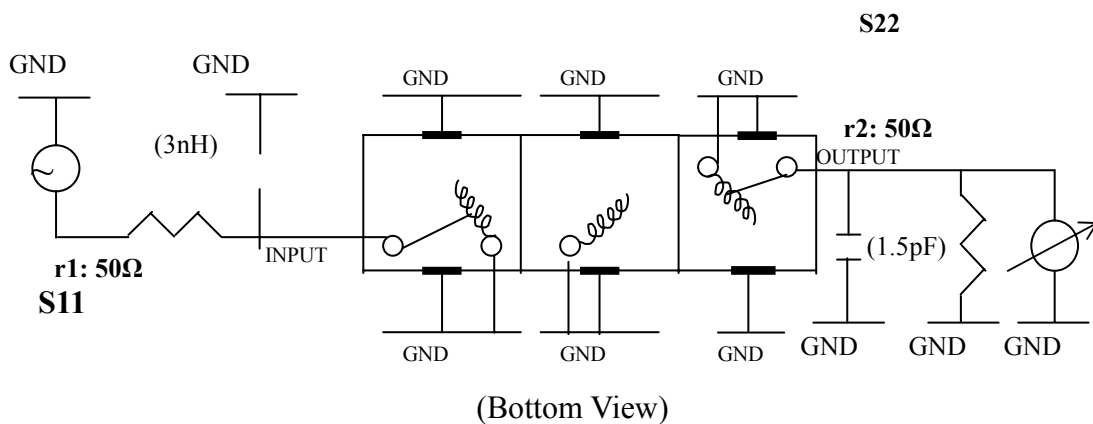
VHF UHF Helical Filter Specification Sheet

Customer Name		Temwell's Part No.	TT6774B1-460M
Approval No. /dated	0710087APR	Customer's Print Name.	6774B1 460M
Work Instruction No.	0710087C	Date	Oct.29.2007



(3)Electric Charasteric		Item	Specify
		Center Freq.(Fo) +/- 0.5 %	460 MHz
		Tunable Range:	460±5 MHz
		Insertion Loss	Typ. 3.0 dB
		-3 dB Bandwidth	Typ. 15 MHz
Sensitivity (Attenuation)	Fo - 50 MHz	Typ.	50 dBc
	Fo + 50 MHz	Typ.	40 dBc
	Fo - ()MHz	Typ.	dBc
	Fo +()MHz	Typ.	dBc
		Return Loss	Min. 12 dB
		Ripple	< 1 dB
		Impedance	In / Out : 50 Ω
(4)Torque for Tuning Screw		> 100gf cm	
(5)Temperature Condition:			
Operating Temperature		0 ~ +60	
Storage Temperature		-20 ~ +70	
(6)Input Power		> 1Watt	

(7)Measuring Circuit: Easy to match Impedance S11/S22 50Ωby parallel with about(3nH) / (1.5pF).



Approval	Supervisor	Designer	Aperture size
C.Y.Chang	C.S.Chang	P.H.Chiang	7H3(4*6.5)F 7H046LB4 聚 3

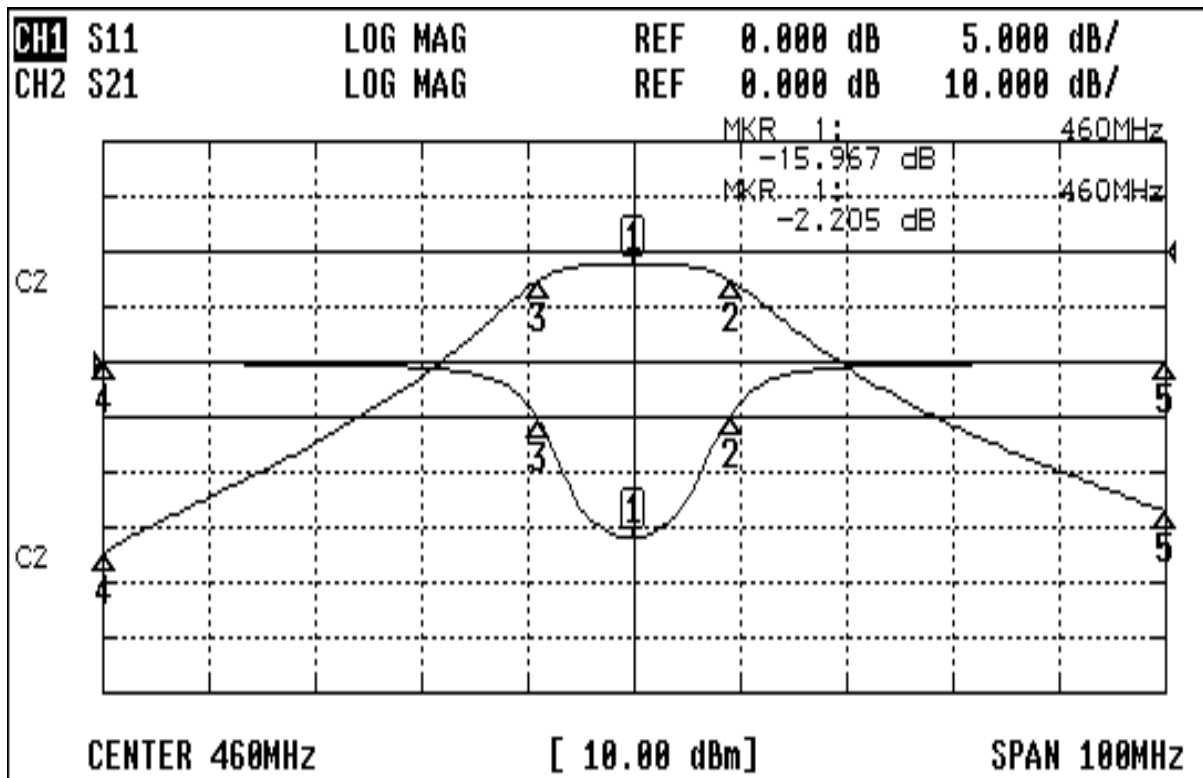
TEMWELL CORPORATION

TEMWELL

Form10-7H3B Vision D RP (ph)

Performance-TT6774B1-460M

0710087C



CH1 MARKER LIST

1:	460.000MHz	-15.967 dB
2:	469.166MHz	-4.753 dB
3:	451.000MHz	-5.159 dB
4:	410.000MHz	-0.082 dB
5:	510.000MHz	-0.052 dB

CH2 MARKER LIST

1:	460.000MHz	-2.205 dB
2:	469.166MHz	-5.289 dB
3:	451.000MHz	-5.266 dB
4:	410.000MHz	-54.547 dB
5:	510.000MHz	-47.004 dB