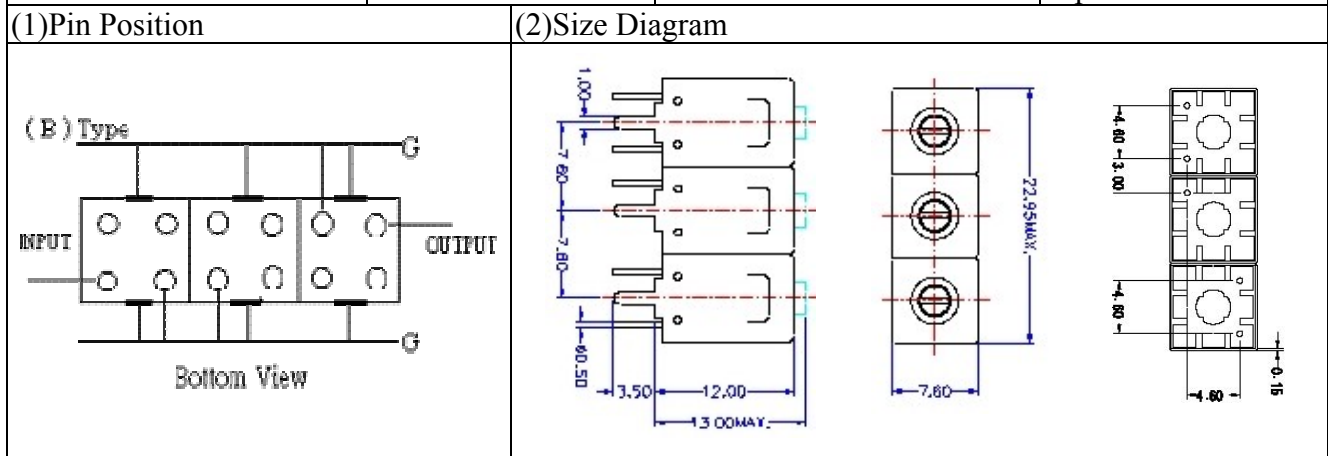
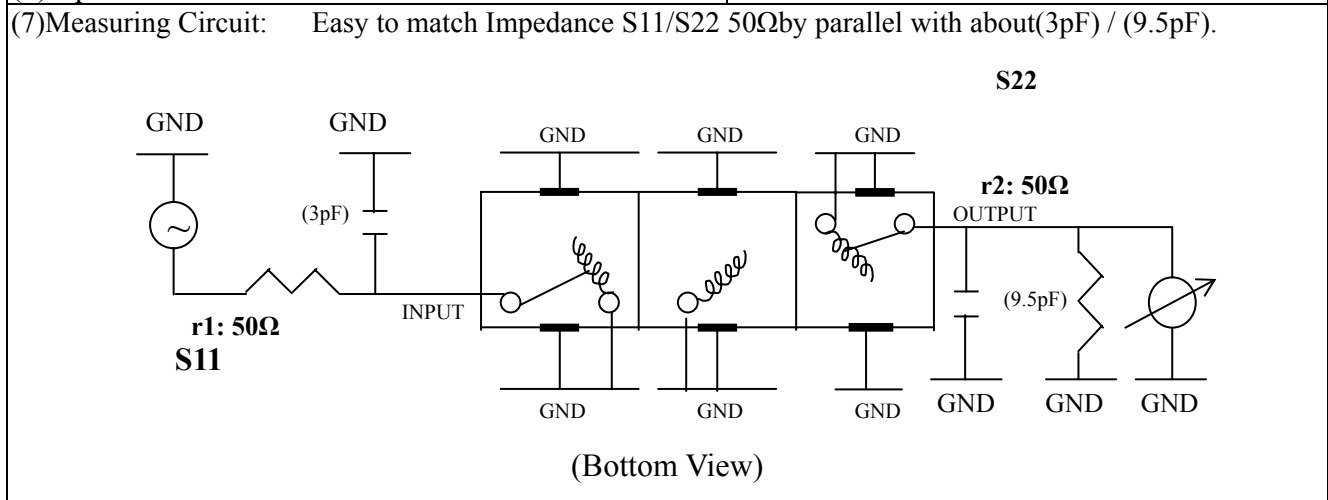


VHF UHF Helical Filter Specification Sheet

Customer Name		Temwell's Part No.	TT6715B-165M
Approval No. /dated		Customer's Print Name.	6715B 165M
Work Instruction No.	201008043A	Date	Sep.27.2010



(3) Electric Charasteric		Item	Specify
Center Freq.(Fo) +/- 0.75 %			165 MHz
Insertion Loss		Typ.	4.5 dB
-3 dB Bandwidth		Typ.	5 MHz
Sensitivity (Attenuation)	Fo - 10 MHz	Typ.	34 dBc
	Fo + 10 MHz	Typ.	30 dBc
	Fo - ()MHz	Typ.	dBc
	Fo +()MHz	Typ.	dBc
Return Loss			Min. 12 dB
Ripple			< 1 dB
Impedance			In / Out : 50 Ω
(4) Torque for Tuning Screw			> 60gf cm
(5) Temperature Condition:			
Operating Temperature			-30 ~ +70
Storage Temperature			-30 ~ +80
(6) Input Power			> 1Watt

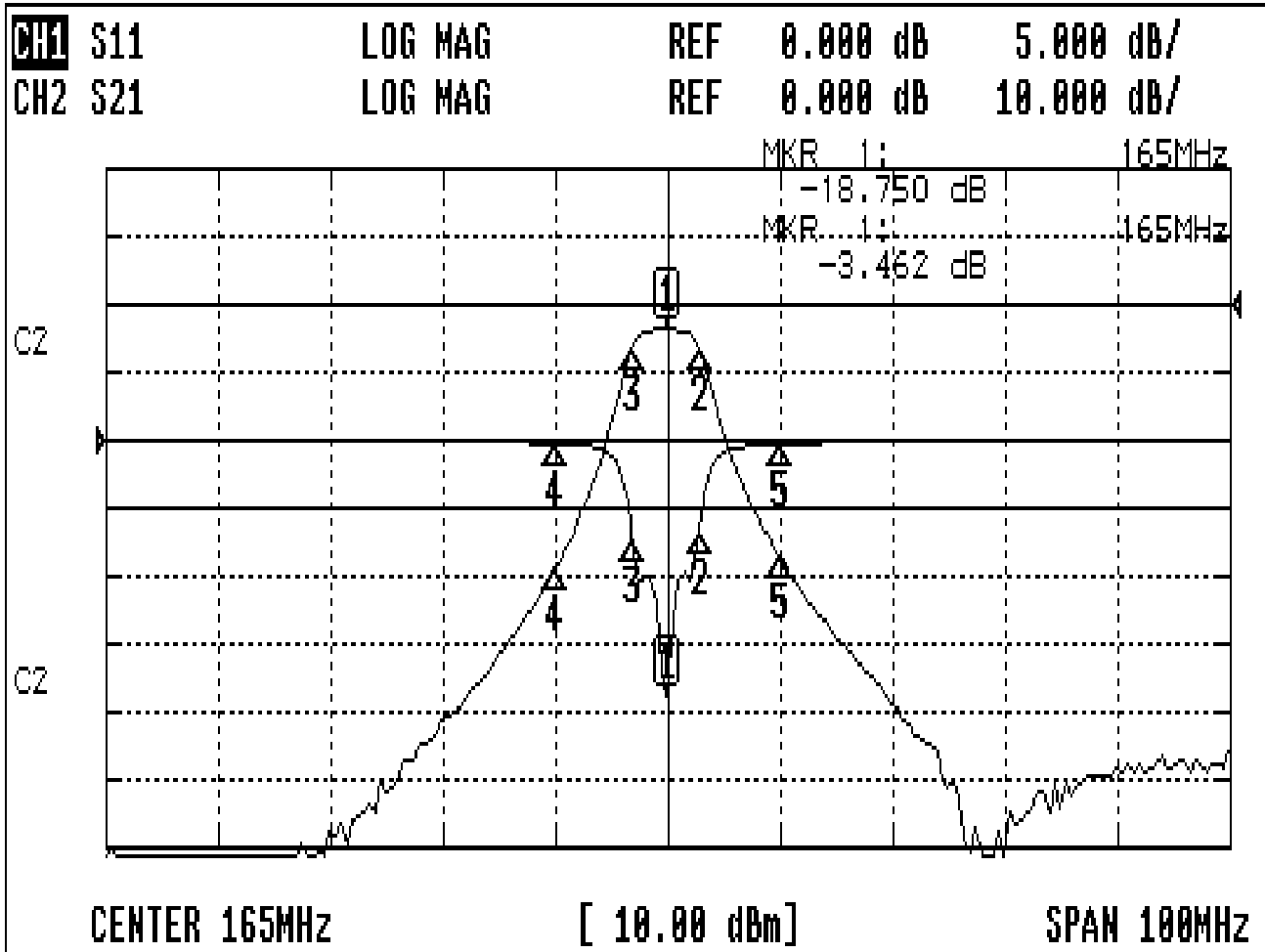


Approval	Supervisor	Designer	Aperture size
C.Y.Chang	C.K.Chang	C.H.Yeh	7H3S(4*5.5)(5.56) 7H024LB4

TEMWELL CORPORATION

Performance-TT6715B-165M

201008043A



CH1 MARKER LIST

1:	165.000MHz	-18.754 dB
2:	167.833MHz	-6.600 dB
3:	161.916MHz	-7.501 dB
4:	155.000MHz	-0.197 dB
5:	175.000MHz	-0.222 dB
6:		
7:		
8:		
9:		
10:		

CH2 MARKER LIST

1:	165.000MHz	-3.461 dB
2:	167.833MHz	-6.477 dB
3:	161.916MHz	-6.417 dB
4:	155.000MHz	-38.961 dB
5:	175.000MHz	-37.257 dB
6:		
7:		
8:		
9:		
10:		