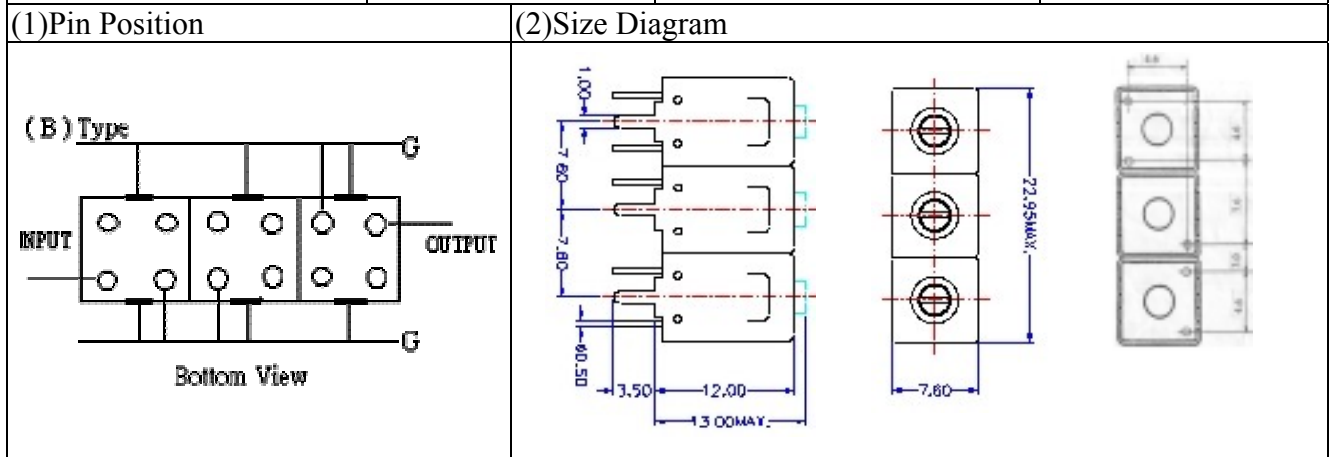


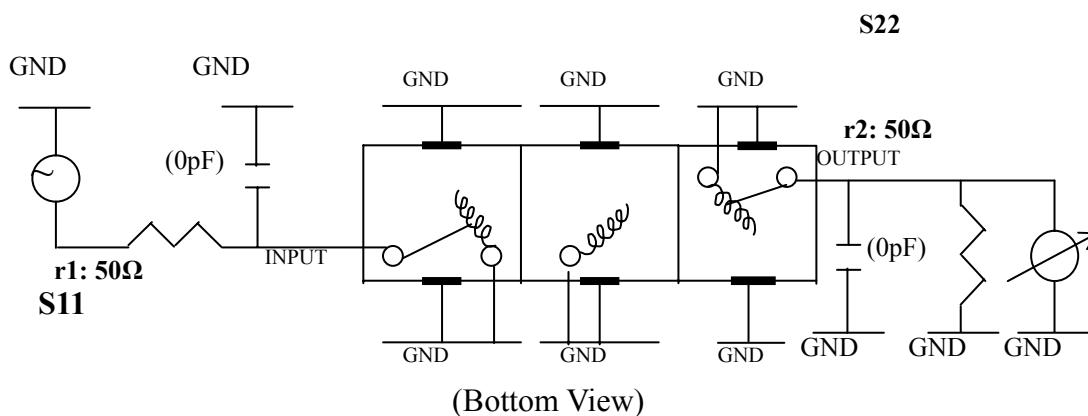
VHF UHF Helical Filter Specification Sheet

Customer Name		Temwell's Part No.	TT67379B-153M
Approval No. /dated		Temwell's print name	67379B 153M
Work Instruction No.	200911073A	Date	Dec.17.2009



(3) Electric Character		Item	Specify
		Center Freq.(Fo) +/- 0.5 %	153 MHz
		Insertion Loss	Typ. 2.0 dB
		-3 dB Bandwidth	Typ. 18 MHz
Sensitivity (Attenuation)	Fo - 50 MHz	Typ. 53 dBc	
	Fo + 50 MHz	Typ. 40 dBc	
	Fo - ()MHz	Typ. dBc	
	Fo +()MHz	Typ. dBc	
		Return Loss	Min. 12 dB
		Ripple	< 1 dB
		Impedance	In / Out : 50 Ω
(4) Torque for Tuning Screw			> 60gf cm
(5) Temperature Condition:			
Operating Temperature			0 ~ +60
Storage Temperature			-20 ~ +70
(6) Input Power			> 1Watt

(7) Measuring Circuit: Easy to match Impedance S11/S22 50Ω/by parallel with about(0 pF) / (0 pF).



Approval	Supervisor	Designer	Aperture size
C.Y.Chang	C.K.Chang	C.H.Yeh	7H3S(4*7.5)(7.55) (7H00LB4 左),(7H00LB6 中)

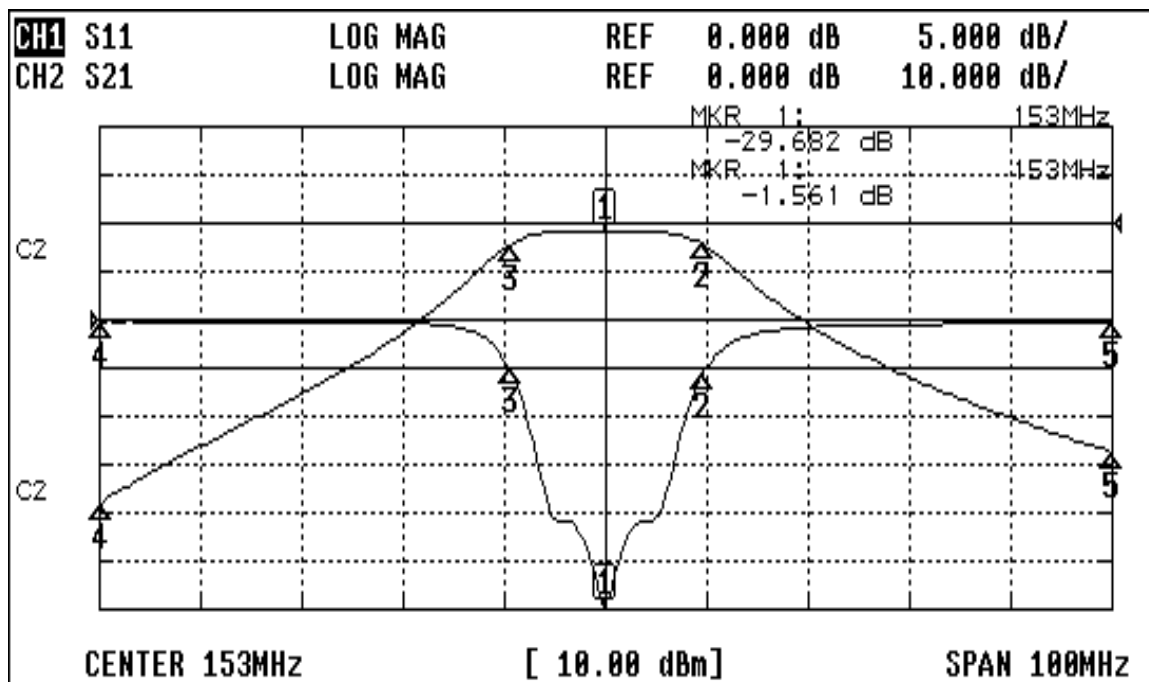
TEMWELL CORPORATION

TEMWELL

Form10-7H3B Vision D RP(W.S.C)

Performance-TT67379B-153M

200911073A



CH1 MARKER LIST

1	153.000MHz	-29.682 dB
2	162.666MHz	-5.678 dB
3	143.500MHz	-4.894 dB
4	103.000MHz	-0.151 dB
5	203.000MHz	-0.329 dB

CH2 MARKER LIST

1	153.000MHz	-1.561 dB
2	162.666MHz	-4.548 dB
3	143.500MHz	-4.591 dB
4	103.000MHz	-58.311 dB
5	203.000MHz	-47.544 dB